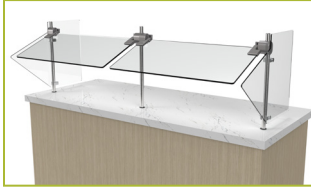


QUICK REFERENCE GUIDE



AX7500



AX7915



AX7930



AX7930-2

GENERAL INFORMATION

Project Name: _____

Item: _____

Quantity: _____

Model: AX7500

Length: _____

STANDARD SPECIFICATIONS

- 1" Diameter Brushed Aluminum Posts
- 3/8" Clear Tempered Front Glass Panels (max. span 66")
- 1/4" Clear Tempered Glass End Panels
- 1" Radius Glass Corners

OPTIONS AND ACCESSORIES

NSF-LISTED FINISH OPTIONS

- Brushed Aluminum (Standard)
- Stainless Steel #4
- Stainless Steel #8 (Chrome)
- Matte Black
- Gloss Black
- Wrinkle Black
- Prismatic Brass
- Smoked Copper
- Statuary Bronze
- Other _____

GLASS FINISHES

- Clear (Standard)
- Low-Iron
- Frosted
- Frosted Logo/Imprint
- Pattern

GLASS CORNERS

- 1" Radius Corners (Standard)
- Square Corners

MOUNTING STYLES (SELECT ONE)

See Installation Page for More Details

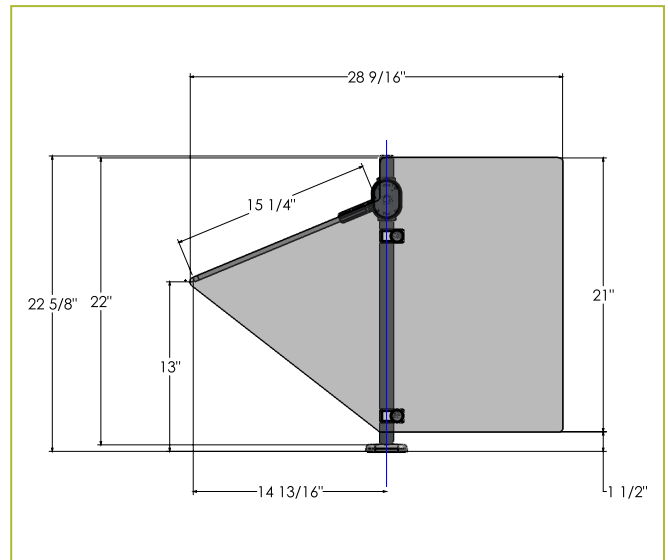
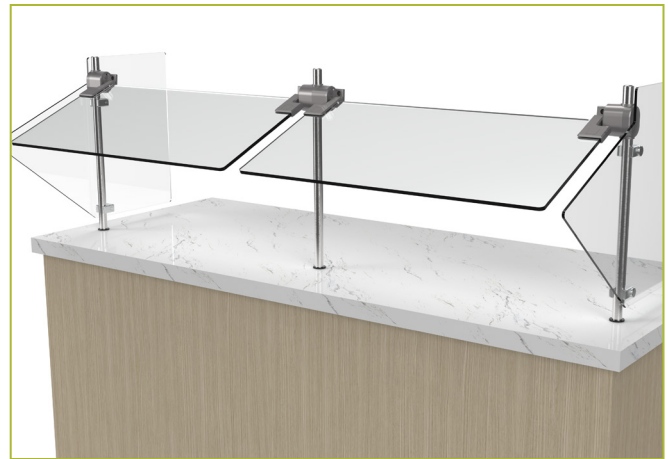
Above Counter: Stainless Steel Counter

Under Counter: Stainless Steel Counter
(Requires Under-Counter Reinforcement & Access)

Above Counter: Millwork Counter

Under Counter: Millwork Counter

AX7500 Self Serve, Single Post



To meet NSF guidelines, end panels are included on all BSI quotations unless specifically excluded. (See end panel page for more details).

- SS1: EZ Mount 2" x 8" Flange
- SSU3-H: Heavy-Duty Flange
- SSU3-N: Narrow Flange
- SSU5-H: Heavy-Duty Flange
- SSU5-N: Narrow Flange
- MW1: Heavy-Duty Flange
- MW2: Narrow Flange
- MWU3: Narrow Flange
- MWU5: Heavy-Duty Flange
- MWU4: Compression Installation (not recommended for solid surfaces)

Approval Drawings Required
Specifications subject to change without notice.



GENERAL INFORMATION

Project Name: _____

Item: _____

Quantity: _____

Model: AX7915

Length: _____

STANDARD SPECIFICATIONS

- 1" Diameter Brushed Aluminum Posts
- 3/8" Clear Tempered Front Glass Panels (max. span 66")
- 3/8" Clear Tempered Glass Top Shelf
- 1/4" Clear Tempered Glass End Panels
- 1" Radius Glass Corners
- Top Glass Clips

OPTIONS AND ACCESSORIES

NSF-LISTED FINISH OPTIONS

- | | |
|--|---|
| <input type="checkbox"/> Brushed Aluminum (Standard) | <input type="checkbox"/> Stainless Steel #4 |
| <input type="checkbox"/> Stainless Steel #8 (Chrome) | <input type="checkbox"/> Matte Black |
| <input type="checkbox"/> Gloss Black | <input type="checkbox"/> Wrinkle Black |
| <input type="checkbox"/> Prismatic Brass | <input type="checkbox"/> Smoked Copper |
| <input type="checkbox"/> Statuary Bronze | |
| <input type="checkbox"/> Other _____ | |

GLASS FINISHES

- | | |
|---|---|
| <input type="checkbox"/> Clear (Standard) | <input type="checkbox"/> Low Iron |
| <input type="checkbox"/> Frosted | <input type="checkbox"/> Frosted Logo/Imprint |
| <input type="checkbox"/> Pattern | |

GLASS CORNERS

- 1" Radius Corners (Standard) Square Corners

MOUNTING STYLES (SELECT ONE)

See Installation Page for More Details

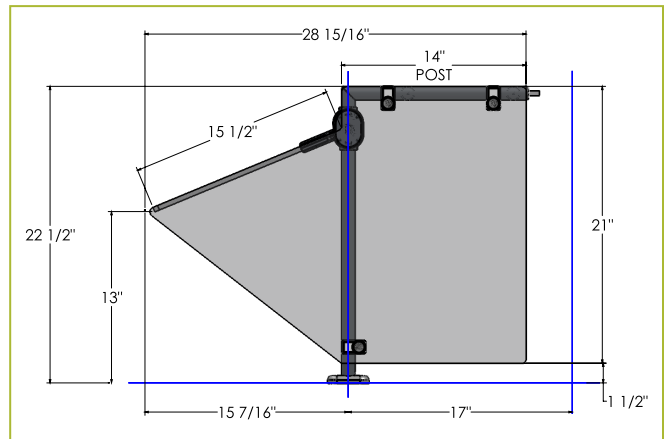
Under Counter: Stainless Steel Counter

(Requires Under-Counter Reinforcement & Access)

Under Counter: Millwork Counter

AX7915

Self Serve w/ Top Shelf, Single Post



To meet NSF guidelines, end panels are included on all BSI quotations unless specifically excluded. (See end panel page for more details).

LIGHT OPTIONS

Model #	Description
<input type="checkbox"/> 2580	BSI Slimline LED Light

All BSI light units are UL Listed. See light spec sheets for detailed information. Axces is also available with other manufacturers' light units. Contact BSI for details.

- | | |
|--|--|
| <input type="checkbox"/> SSU3-H: Heavy-Duty Flange | <input type="checkbox"/> SSU5-N: Narrow Flange |
| <input type="checkbox"/> SSU3-N: Narrow Flange | <input type="checkbox"/> SSU5-H: Heavy-Duty Flange |
| <input type="checkbox"/> MWU3: Narrow Flange | <input type="checkbox"/> MWU5: Heavy-Duty Flange |
| <input type="checkbox"/> MWU4: Compression Installation (not recommended for solid surfaces) | |

GENERAL INFORMATION

Project Name: _____

Item: _____

Quantity: _____

Model: AX7930

Length: _____

- 1" Diameter Brushed Aluminum Posts
- 3/8" Clear Tempered Front Glass Panels (max. span 66")
- 3/8" Clear Tempered Glass Top Shelf
- 1/4" Clear Tempered Glass End Panels
- 1" Radius Glass Corners
- Top Glass Clips

OPTIONS AND ACCESSORIES

NSF-LISTED FINISH OPTIONS

- Brushed Aluminum
- Stainless Steel #4 (Standard)
- Stainless Steel #8 (Chrome)
- Gloss Black
- Prismatic Brass
- Statuary Bronze
- Other _____
- Stainless Steel #4
- Matte Black
- Wrinkle Black
- Smoked Copper

GLASS FINISHES

- Clear (Standard)
- Frosted
- Pattern
- Low Iron
- Frosted Logo/Imprint

GLASS CORNERS

- 1" Radius Corners (Standard)
- Square Corners

INSTALLATION OPTIONS

See Installation Page for More Details

Above Counter: Stainless Steel Counter

Under Counter: Stainless Steel Counter

(Requires Under-Counter Reinforcement & Access)

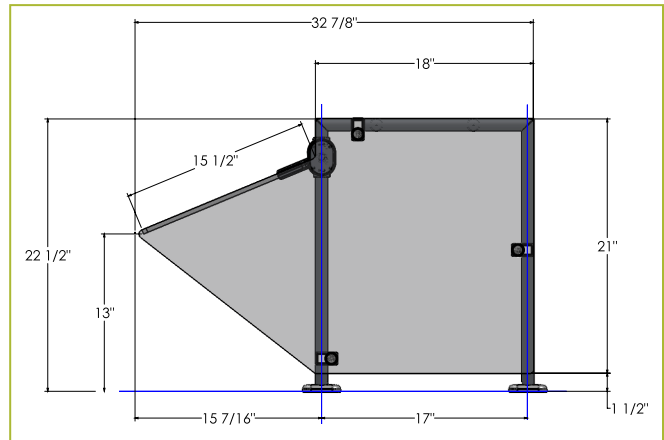
Above Counter: Millwork Counter

Under Counter: Millwork Counter

Approval Drawings Required
Specifications subject to change without notice.

AX7930

Self Serve w/Top Shelf, Dual Post



To meet NSF guidelines, end panels are included on all BSI quotations unless specifically excluded. (See end panel page for more details).

LIGHT AND WARMER OPTIONS

Model #	Description
<input type="checkbox"/> 2580	BSI Slimline LED Light
<input type="checkbox"/> 790	BSI Stealth Heat-Only Warmer
<input type="checkbox"/> 705	BSI Stealth Heat-Light Combo
<input type="checkbox"/> 500	BSI Stealth Heat-Light-Heat Combo

All BSI light and warmer units are UL Listed. See light and warmer spec sheets for detailed information. Axces is also available with other manufacturers' heat and light units. Contact BSI for details.

- SS1: EZ Mount 2" x 8" Flange
- SSU3-H: Heavy-Duty Flange
- SSU5-H: Heavy-Duty Flange
- MW1: Heavy-Duty Flange
- MWU3: Narrow Flange
- MWU4: Compression Installation (not recommended for solid surfaces)
- SSU3-N: Narrow Flange
- SSU5-N: Narrow Flange
- MW2: Narrow Flange
- MWU5: Heavy-Duty Flange



GENERAL INFORMATION

Project Name: _____
Item: _____
Quantity: _____
Model: AX7930-2
Length: _____

STANDARD SPECIFICATIONS

- 1" Diameter Brushed Aluminum Posts
- 3/8" Clear Tempered Front Glass Panels (max. span 66")
- 3/8" Clear Tempered Glass Top Shelf
- 1/4" Clear Tempered Glass End Panels
- 1" Radius Glass Corners
- Top Glass Clips

OPTIONS AND ACCESSORIES

NSF-LISTED FINISH OPTIONS

- | | |
|--|---|
| <input type="checkbox"/> Brushed Aluminum (Standard) | <input type="checkbox"/> Stainless Steel #4 |
| <input type="checkbox"/> Stainless Steel #8 (Chrome) | <input type="checkbox"/> Matte Black |
| <input type="checkbox"/> Gloss Black | <input type="checkbox"/> Wrinkle Black |
| <input type="checkbox"/> Prismatic Brass | <input type="checkbox"/> Smoked Copper |
| <input type="checkbox"/> Statuary Bronze | |
| <input type="checkbox"/> Other _____ | |

GLASS FINISHES

- | | |
|---|---|
| <input type="checkbox"/> Clear (Standard) | <input type="checkbox"/> Low-Iron |
| <input type="checkbox"/> Frosted | <input type="checkbox"/> Frosted Logo/Imprint |
| <input type="checkbox"/> Pattern | |

GLASS CORNERS

- 1" Radius Corners (Standard) Square Corners

MOUNTING STYLES (SELECT ONE)

See Installation Page for More Details.

Above-Counter: Stainless Steel Counter

Under-Counter: Stainless Steel Counter

(Requires Under-Counter Reinforcement & Access)

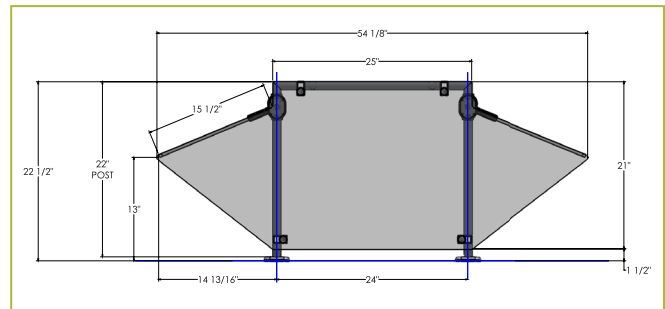
Above-Counter: Millwork Counter

Under-Counter: Millwork Counter

Approval Drawings Required
 Specifications subject to change without notice.

AX7930-2

Double-Sided Self Serve w/Top Shelf



To meet NSF guidelines, end panels are included on all BSI quotations unless specifically excluded. (See end panel page for more details).

LIGHT AND WARMER OPTIONS

Model #	Description
<input type="checkbox"/> 2580	BSI Slimline LED Light
<input type="checkbox"/> 790	BSI Stealth Heat-Only Warmer
<input type="checkbox"/> 705	BSI Stealth Heat-Light Combo
<input type="checkbox"/> 500	BSI Stealth Heat-Light-Heat Combo

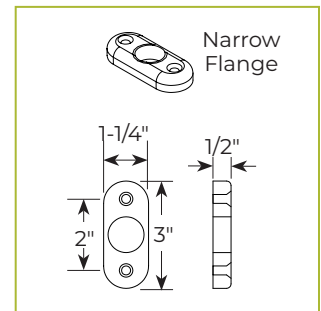
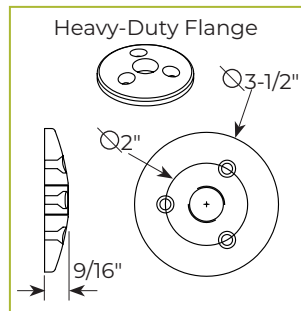
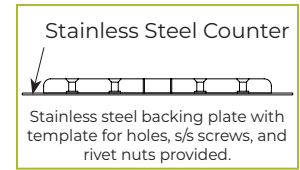
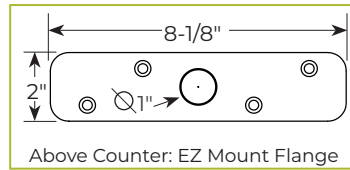
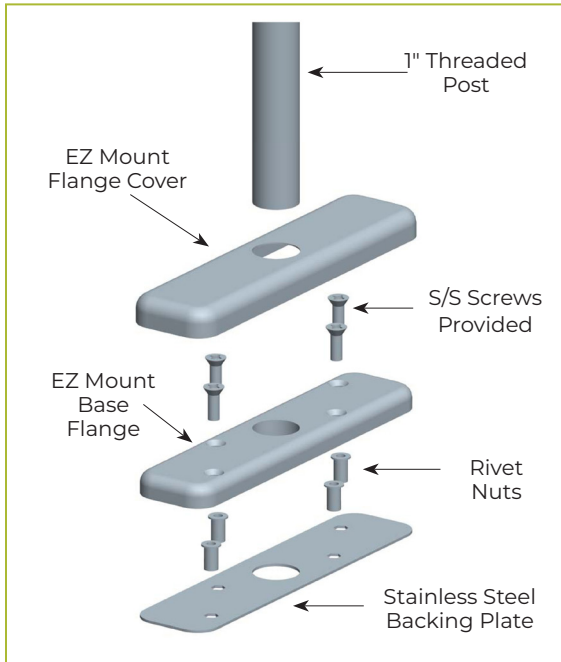
All BSI light and warmer units are UL Listed. See light and warmer spec sheets for detailed information. Also available with other manufacturers' heat and light units. Contact BSI for details.

- | | |
|--|--|
| <input type="checkbox"/> SSI: EZ Mount 2" x 8" Flange | |
| <input type="checkbox"/> SSU3-H: Heavy-Duty Flange | <input type="checkbox"/> SSU3-N: Narrow Flange |
| <input type="checkbox"/> SSU5-H: Heavy-Duty Flange | <input type="checkbox"/> SSU5-N: Narrow Flange |
| <input type="checkbox"/> MW1: Heavy-Duty Flange | <input type="checkbox"/> MW2: Narrow Flange |
| <input type="checkbox"/> MWU3: Narrow Flange | <input type="checkbox"/> MWU5: Heavy-Duty Flange |
| <input type="checkbox"/> MWU4: Compression Installation (not recommended for solid surfaces) | |

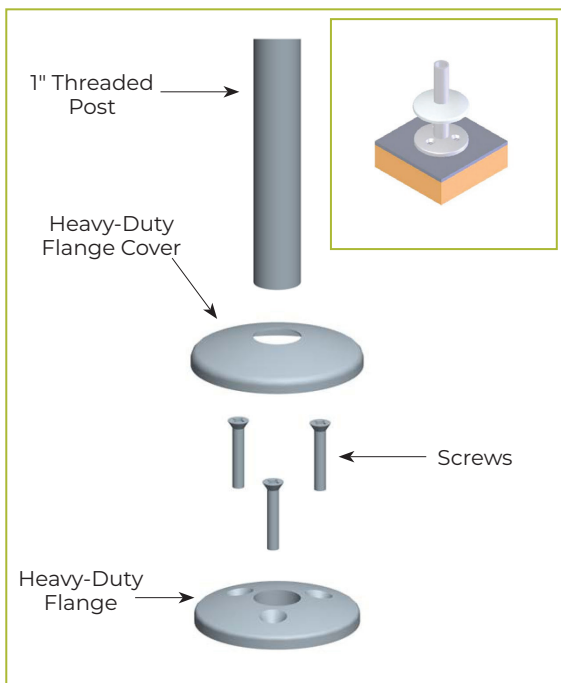


ABOVE-COUNTER INSTALLATION

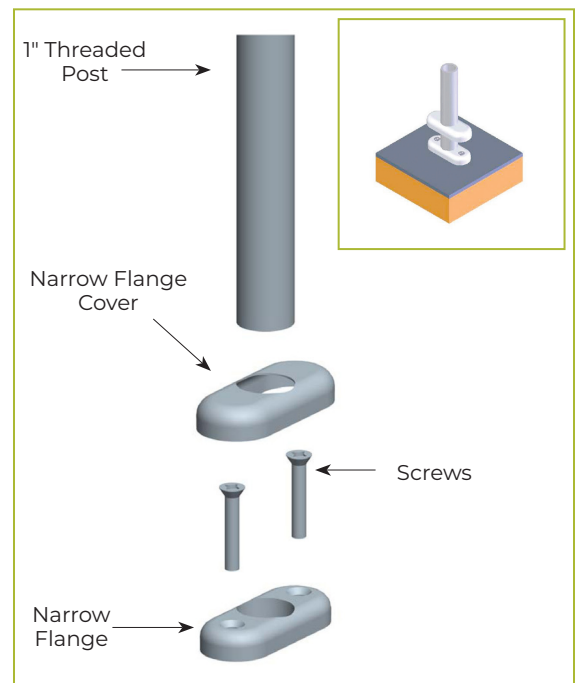
Stainless Steel Counter SSI: EZ Mount 2" x 8" Flange



Millwork Counter MW1: Heavy-Duty Flange



Millwork Counter MW2: Narrow Flange

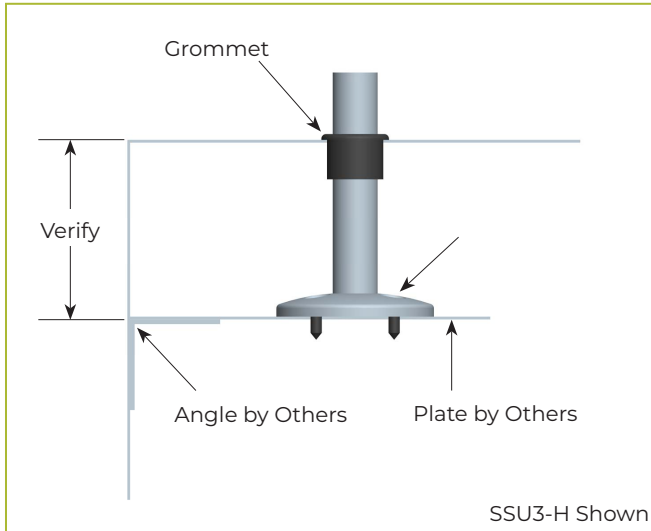


UNDER-COUNTER INSTALLATION

Stainless Steel Counter

(requires under-counter reinforcement and access)

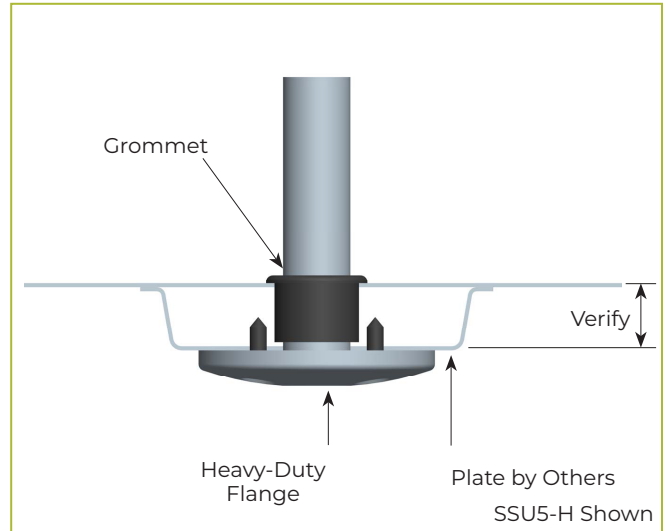
SSU3: Heavy-Duty Flange (-H) or Narrow Flange (-N)



Stainless Steel Counter

(requires under-counter reinforcement and access)

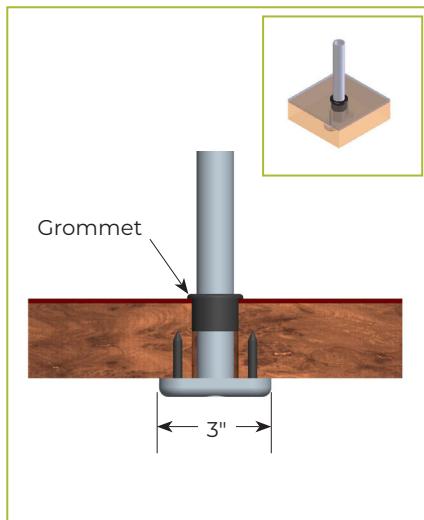
SSU5: Heavy-Duty Flange (-H) or Narrow Flange (-N)



Verify counter thickness or under-counter installation depth in inches.

Millwork Counter

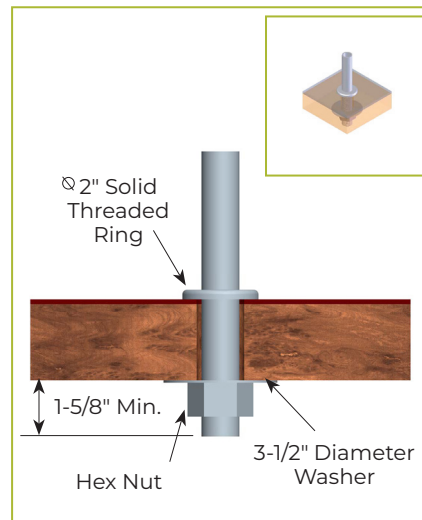
MWU3: Narrow Flange



Millwork Counter

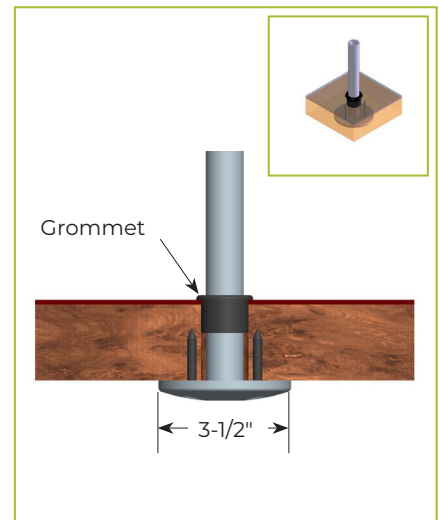
MWU4: Compression Installation

(not recommended for solid surfaces)



Millwork Counter

MWU5: Heavy-Duty Flange



Verify counter thickness or under-counter installation depth in inches.

GENERAL INFORMATION

Project Name: _____

DESCRIPTION

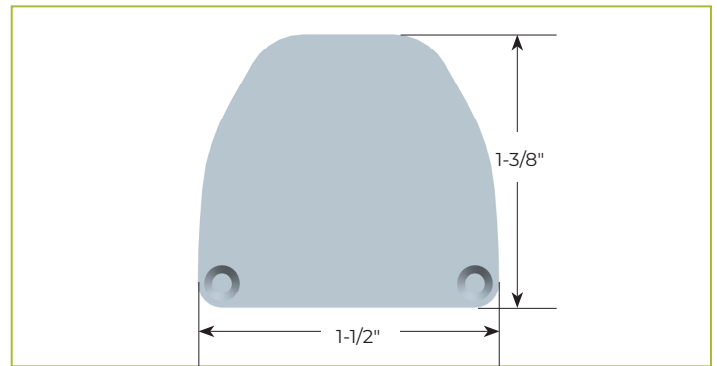
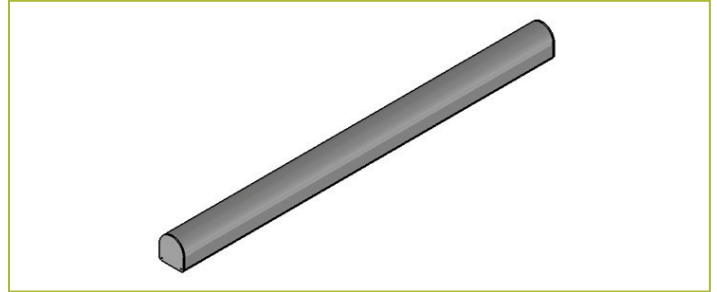
The Slimline light by BSI features a durable, lightweight aluminum housing that wraps around the interchangeable internal LED light modules for a sleek appearance without sacrificing light output.

The LED light contains a multi-voltage internal driver that is direct wired to operate between 110-250v. The light is factory assembled and prepped for electrical installation with a standard remote toggle on/off switch.

GENERAL SPECIFICATION

LED BULB	
Temperature	3000K
Average Rated Life (hr):	50,000
Color Rendering Index (CRI)	90
Diodes	50 per foot
Electrical	110-250V
Frequency	50/60Hz
Amp Per Foot @ 100V	0.04
Watts Per Foot	5

2580 LED Slimline Light



LED DRIVER INFORMATION						
HOUSING LENGTH	MODULE LENGTH	FREQUENCY	AMPS @ 120V	AMPS @ 208V	AMPS @240V	WATTS
15"-20"	12"	50/60 Hz	0.042	0.024	0.021	5W
21"-26"	18"	50/60 Hz	0.058	0.034	0.029	7W
27"-32"	12" & 12"	50/60 Hz	0.083	0.048	0.042	10W
33"-38"	12" & 18"	50/60 Hz	0.1	0.058	0.05	12W
39"-44"	36"	50/60 Hz	0.125	0.072	0.063	15W
45"-50"	12" & 18"	50/60 Hz	0.142	0.082	0.071	17W
51"-56"	48"	50/60 Hz	0.167	0.096	0.083	20W

OPTIONS AND ACCESSORIES

Light housing is an aluminum extrusion finished to match your food shield. NSF-approved powder coat colors are also available as satin or polished finishes. Contact BSI for more information.

LED light has a multi voltage drive that will operate between 110-250 v and produce 400 Lumens per foot.

STANDARD NSF-LISTED FINISH OPTIONS

- Gray (standard)
- Stainless Steel #4
- Matte Black
- Wrinkle Black
- Smoked Copper
- Brushed Aluminum
- Stainless Steel #8 (Chrome)
- Gloss Black
- Prismatic Brass
- Statuary Bronze

SWITCH OPTIONS

- Remote Toggle Switch (standard)
- Internal Toggle Switch

WIRING EXIT POINT OPTIONS

- Right Side
- Top
- Left Side

2580

LED Slimline Light

LED Bulb

HOUSING LENGTH	MODULE LENGTH	FREQUENCY	AMPS @120V	AMPS @208V	AMPS @240V	WATTAGE
15" to 20"	12"	50/60Hz	.042A	.024A	.021A	5W
21" to 26"	18"	50/60Hz	.058A	.034A	.029A	7W
27" to 32"	12" & 12"	50/60Hz	.083A	.048A	.042A	10W
33" to 38"	12" & 18"	50/60Hz	.1A	.058A	.05A	12W
49" to 44"	36"	50/60Hz	.125A	.072A	.063A	15W
45" to 50"	12" & 12" & 18"	50/60Hz	.142A	.082A	.071A	17W
51" to 56"	48"	50/60Hz	.167A	.096A	.083A	20W

Larger Sizes: BSI will configure bulb combinations to best fit housing.

LED Module



GENERAL INFORMATION

Project Name: _____

DESCRIPTION

Stealth warmers are created with a high-efficiency design, meaning less heat escapes out the top and more heat is directed down on the work surface. The internally integrated aluminum heat sink creates a 15-20% cooler outer housing surface (touch temperature) than the competition, as well as 20% higher direct heat output than the industry standard.

Engineered for ease of use, Stealth's smooth outer housing is both attractive and easy to clean. Simply wipe down the surface to maintain the reflector efficiency — no dirty wire grill to clean or collect debris.

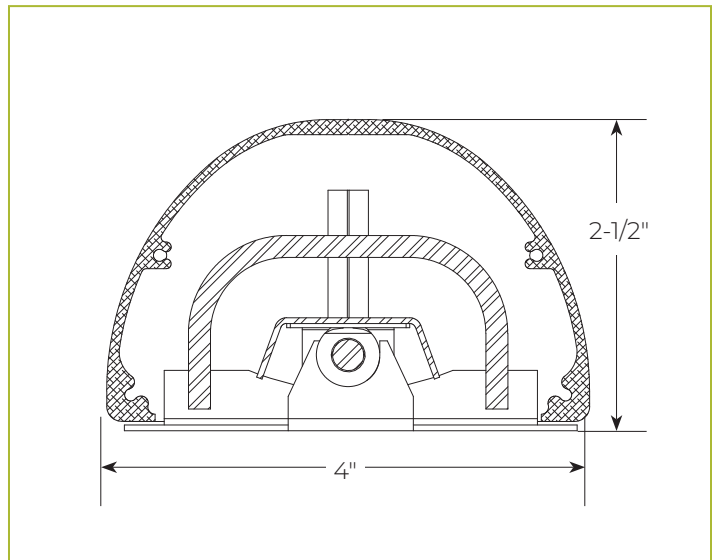
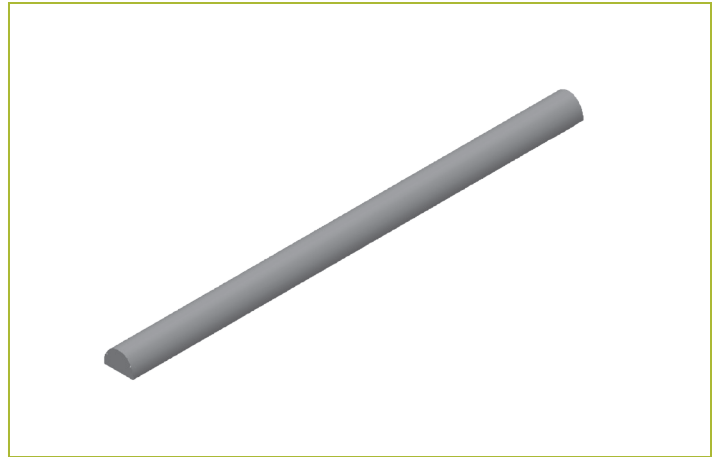
The clean, slim profile and simple mounting hardware allow your food to be the focus and subtly integrate into your overall design.

Custom lengths are available from 22" to 82" in single heater units and unlimited lengths in multiple heater combinations.

UL tested and certified to UL Standard. 197.

790

Stealth Warmer



Approval Drawings Required



5.23

STANDARD NSF-LISTED FINISH OPTIONS

- Gray (Standard)
- Stainless Steel #4
- Gloss Black
- Prismatic Brass
- Statuary Bronze
- Brushed Aluminum
- Matte Black
- Wrinkle Black
- Smoked Copper

Stainless Steel #8 (Chrome) is not available when heat is present. Standard Gray is used as a substitute unless otherwise specified.

SWITCH OPTIONS

- Remote Infinite (standard)
- Indicator Light
- Remote Switch
- Internal Control

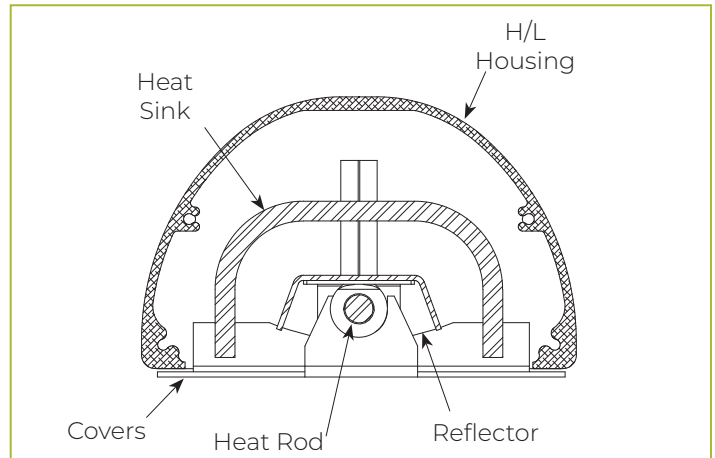
WIRING EXIT POINT OPTIONS

- Right Side
- Top
- Left Side

MODEL NUMBER	OA HOUSING	VOLTS	FREQ.	AMPS @110V	WATTS
790-120-18	22"-27"	120	50/60Hz	2.9	350
790-120-24	28"-33"	120	50/60Hz	4.2	500
790-120-30	34"-39"	120	50/60Hz	5.5	660
790-120-36	40"-45"	120	50/60Hz	6.7	800
790-120-42	46"-51"	120	50/60Hz	7.9	950
790-120-48	52"-57"	120	50/60Hz	9.2	1100
790-120-54	58"-63"	120	50/60Hz	10.4	1250
790-120-60	64"-69"	120	50/60Hz	11.7	1400
790-120-66	70"-75"	120	50/60Hz	13.0	1560
790-120-72	76"-81"	NOT AVAILABLE IN 120 VOLTS			

Wiring diagrams for Stealth warmers can be found at the end of the Lights and Warmers section.

790 Stealth Warmer



MODEL NUMBER	OA HOUSING	VOLTS	FREQ.	AMPS @110V	WATTS
790-208-18	22"-27"	NOT AVAILABLE IN 208 VOLTS			
790-208-24	28"-33"	208	50/60Hz	2.4	500
790-208-30	34"-39"	208	50/60Hz	3.2	660
790-208-36	40"-45"	208	50/60Hz	3.9	800
790-208-42	46"-51"	208	50/60Hz	4.6	950
790-208-48	52"-57"	208	50/60Hz	5.3	1100
790-208-54	58"-63"	208	50/60Hz	6.0	1250
790-208-60	64"-79"	208	50/60Hz	6.7	1400
790-208-66	70"-75"	208	50/60Hz	7.5	1560
790-208-72	76"-81"	208	50/60Hz	8.3	1725

MODEL NUMBER	OA HOUSING	VOLTS	FREQ.	AMPS @110V	WATTS
790-240-18	22"-27"	NOT AVAILABLE IN 240 VOLTS			
790-240-24	28"-33"	240	50/60Hz	2.1	500
790-240-30	34"-39"	240	50/60Hz	2.8	660
790-240-36	40"-45"	240	50/60Hz	3.3	800
790-240-42	46"-51"	240	50/60Hz	3.9	950
790-240-48	52"-57"	240	50/60Hz	4.6	1100
790-240-54	58"-63"	240	50/60Hz	5.2	1250
790-240-60	64"-69"	240	50/60Hz	5.8	1400
790-240-66	70"-75"	240	50/60Hz	6.5	1560
790-240-72	76"-81"	240	50/60Hz	7.2	1725



GENERAL INFORMATION

Project Name: _____

DESCRIPTION

Stealth light and warmer combo units feature a high-efficiency design, meaning less heat escapes out the top and more heat is directed down on the work surface. The internally integrated aluminum heat sink creates a 15-20% cooler outer housing surface (touch temperature) than the competition, as well as 20% higher direct heat output than the industry standard.

Engineered for ease of use, Stealth's smooth outer housing is both attractive and easy to clean. Simply wipe down the surface to maintain the reflector efficiency — no dirty wire grill to clean or collect debris.

The clean profile and simple mounting hardware allow your food to be the focus and subtly integrate into your overall design.

Available in custom lengths from 22" to 82".

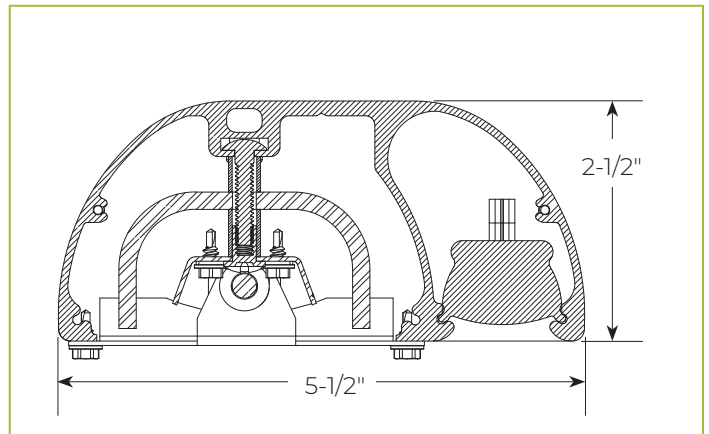
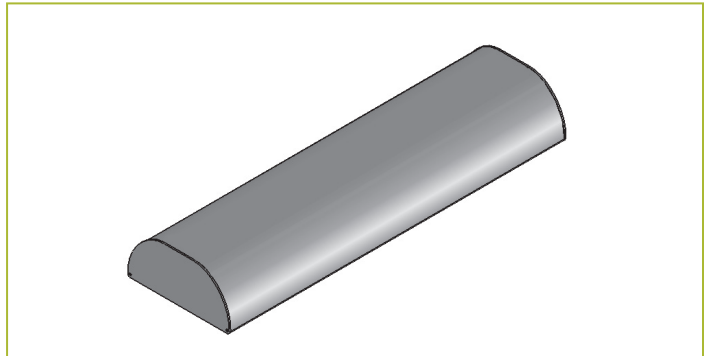
UL tested and certified to UL Standard. 197.

Information for LED Bulb

Temperature	3000K
Average Rated Life (hr):	50,000
Color Rendering Index (CRI)	90
Diodes	50 per foot
Electrical	110-250V
Frequency	50/60Hz
Amp Per Foot @ 110V	0.04
Watts Per Foot	5

705

Stealth Light & Warmer Combo



Approval Drawings Required



STANDARD NSF-LISTED FINISH OPTIONS

- Gray (Standard)
- Stainless Steel #4
- Gloss Black
- Prismatic Brass
- Statuary Bronze
- Brushed Aluminum
- Matte Black
- Wrinkle Black
- Smoked Copper

Stainless Steel #8 (Chrome) is not available when heat is present. Standard Gray is used as a substitute unless otherwise specified.

SWITCH OPTIONS

- Remote Infinite (standard)
- Indicator Light
- Remote Switch
- Internal Control

WIRING EXIT POINT OPTIONS

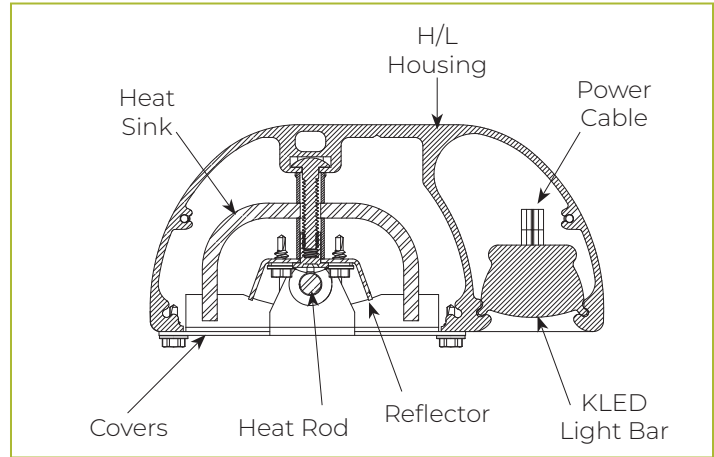
- Right Side
- Top
- Left Side

MODEL NUMBER	OA HOUSING	VOLTS (Light)*	FREQ.	AMPS	WATTS
705-120-18	22"-27"	120 (120)	50/60Hz	2.96	357
705-120-24	28"-33"	120 (120)	50/60Hz	4.28	510
705-120-30	34"-39"	120 (120)	50/60Hz	5.60	672
705-120-36	40"-45"	120 (120)	50/60Hz	6.83	815
705-120-42	46"-51"	120 (120)	50/60Hz	8.04	967
705-120-48	52"-57"	120 (120)	50/60Hz	9.37	1120
705-120-54	58"-63"	120 (120)	50/60Hz	10.58	1272
705-120-60	64"-69"	120 (120)	50/60Hz	11.91	1425
705-120-66	70"-75"	120 (120)	50/60Hz	13.2	1587
705-120-72	76"-81"	NOT AVAILABLE IN 120 VOLTS			

Wiring diagrams for Stealth light & warmer combos can be found at the end of the Lights and Warmers section.

705

Stealth Light & Warmer Combo



MODEL NUMBER	OA HOUSING	VOLTS (Light)*	FREQ.	AMPS	WATTS
705-208-18	22"-27"	NOT AVAILABLE IN 208 VOLTS			
705-208-24	28"-33"	208 (120)	50/60Hz	2.45	510
705-208-30	34"-39"	208 (120)	50/60Hz	3.26	672
705-208-36	40"-45"	208 (120)	50/60Hz	3.97	815
705-208-42	46"-51"	208 (120)	50/60Hz	4.68	967
705-208-48	52"-57"	208 (120)	50/60Hz	5.40	1120
705-208-54	58"-63"	208 (120)	50/60Hz	6.11	1272
705-208-60	64"-69"	208 (120)	50/60Hz	6.82	1425
705-208-66	70"-75"	208 (120)	50/60Hz	7.63	1587
705-208-72	76"-81"	208 (120)	50/60Hz	8.44	1755

MODEL NUMBER	OA HOUSING	VOLTS (Light)*	FREQ.	AMPS	WATTS
705-240-18	22"-27"	NOT AVAILABLE IN 240 VOLTS			
705-240-24	28"-33"	240 (120)	50/60Hz	2.14	510
705-240-30	34"-39"	240 (120)	50/60Hz	2.85	672
705-240-36	40"-45"	240 (120)	50/60Hz	3.36	815
705-240-42	46"-51"	240 (120)	50/60Hz	3.97	967
705-240-48	52"-57"	240 (120)	50/60Hz	4.68	1120
705-240-54	58"-63"	240 (120)	50/60Hz	5.29	1272
705-240-60	64"-69"	240 (120)	50/60Hz	5.90	1425
705-240-66	70"-75"	240 (120)	50/60Hz	6.61	1587
705-240-72	76"-81"	240 (120)	50/60Hz	7.33	1755

* Volts shown as element voltage (light voltage)



GENERAL INFORMATION

Project Name: _____

DESCRIPTION

The Stealth warm/light/warm combo unit features two heaters and an LED light all contained in a single housing. The high efficiency warmer design means less heat escapes out the top and more heat is directed down on the work surface. Stealth's internally integrated aluminum heat sink creates a 15-20% cooler outer housing surface (touch temperature) than the competition, as well as 20% higher direct heat output than the industry standard.

Engineered for ease of use, Stealth's smooth outer housing is both attractive and easy to clean. Simply wipe down the surface to maintain the reflector efficiency — no dirty wire grill to clean or collect debris.

The clean profile and simple mounting hardware allow your food to be the focus and subtly integrate into your overall design.

Available in custom lengths from 22"-82", the heat & light components can be placed anywhere in the housing. This allows you to heat specific wells, pans, or areas of a counter.

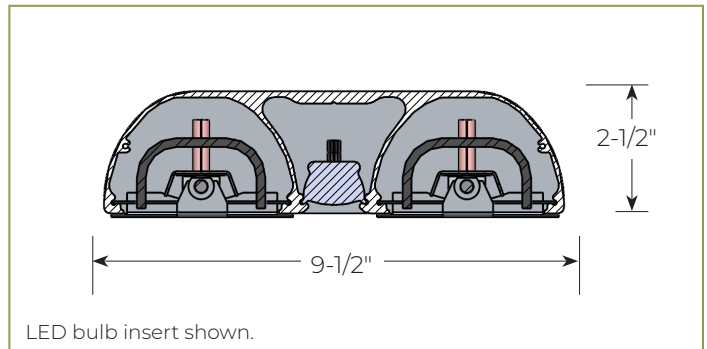
UL tested and certified to UL Standard. 197.

Information for LED Bulb

Temperature	3000K
Average Rated Life (hr):	50,000
Color Rendering Index (CRI)	90
Diodes	50 per foot
Electrical	110-250V
Frequency	50/60Hz
Amp Per Foot @ 110V	0.04
Watts Per Foot	5

500

Stealth Double Warmer & Light Combo



Approval Drawings Required



STANDARD NSF-LISTED FINISH OPTIONS

- Gray (Standard)
- Stainless Steel #4
- Gloss Black
- Prismatic Brass
- Statuary Bronze
- Brushed Aluminum
- Matte Black
- Wrinkle Black
- Smoked Copper

Stainless Steel #8 (Chrome) is not available when heat is present. Standard Gray is used as a substitute unless otherwise specified.

SWITCH OPTIONS

- Remote Infinite (standard)
- Indicator Light
- Remote Switch
- Internal Control

**Double unit requires two infinite controls - one per heat rod.*

WIRING EXIT POINT OPTIONS

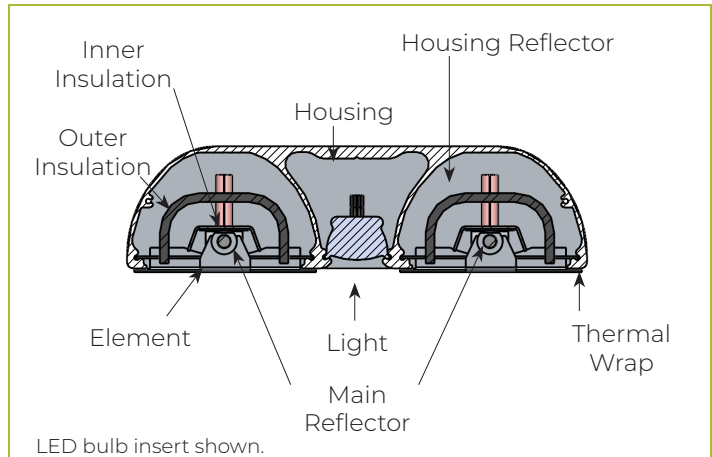
- Right Side
- Top
- Left Side

MODEL NUMBER	OA HOUSING	VOLTS (Light)*	FREQ.	AMPS CIRCUIT #1	AMPS CIRCUIT #2	TOTAL WATTS**
500-120-18	22"-27"	120 (120)	50/60Hz	5.86	N/A	707
500-120-24	28"-33"	120 (120)	50/60Hz	8.48	N/A	1010
500-120-30	34"-39"	120 (120)	50/60Hz	11.10	N/A	1332
500-120-36	40"-45"	120 (120)	50/60Hz	6.83	6.70	1615
500-120-42	46"-51"	120 (120)	50/60Hz	8.04	7.90	1917
500-120-48	52"-57"	120 (120)	50/60Hz	9.37	9.20	2220
500-120-54	58"-63"	120 (120)	50/60Hz	10.58	10.40	2522
500-120-60	64"-69"	120 (120)	50/60Hz	11.91	11.70	2825
500-120-66	70"-75"	120 (120)	50/60Hz	13.2	13.00	3147
500-120-72	76"-81"	NOT AVAILABLE IN 120 VOLTS				

Wiring diagrams for Stealth light and warmer combos can be found at the end of the Lights and Warmers section.

500

Stealth Double Warmer and Light Combo



MODEL NUMBER	OA HOUSING	VOLTS (Light)*	FREQ.	AMPS CIRCUIT #1	AMPS CIRCUIT #2	TOTAL WATTS**
500-208-18	22"-27"	NOT AVAILABLE IN 208 VOLTS				
500-208-24	28"-33"	208 (120)	50/60Hz	4.85	N/A	1010
500-208-30	34"-39"	208 (120)	50/60Hz	6.46	N/A	1332
500-208-36	40"-45"	208 (120)	50/60Hz	7.87	N/A	1615
500-208-42	46"-51"	208 (120)	50/60Hz	9.28	N/A	1917
500-208-48	52"-57"	208 (120)	50/60Hz	10.70	N/A	2220
500-208-54	58"-63"	208 (120)	50/60Hz	10.11	N/A	2522
500-208-60	64"-69"	208 (120)	50/60Hz	13.52	N/A	2825
500-208-66	70"-75"	208 (120)	50/60Hz	7.63	7.5	3147
500-208-72	76"-81"	208 (120)	50/60Hz	8.44	8.3	3480

MODEL NUMBER	OA HOUSING	VOLTS (Light)*	FREQ.	AMPS	TOTAL WATTS**
500-240-18	22"-27"	NOT AVAILABLE IN 240 VOLTS			
500-240-24	28"-33"	240 (120)	50/60Hz	4.25	1010
500-240-30	34"-39"	240 (120)	50/60Hz	5.65	1332
500-240-36	40"-45"	240 (120)	50/60Hz	6.66	1615
500-240-42	46"-51"	240 (120)	50/60Hz	7.87	1917
500-240-48	52"-57"	240 (120)	50/60Hz	9.28	2220
500-240-54	58"-63"	240 (120)	50/60Hz	10.49	2522
500-240-60	64"-69"	240 (120)	50/60Hz	11.70	2825
500-240-66	70"-75"	240 (120)	50/60Hz	13.11	3147
500-240-72	76"-81"	240 (120)	50/60Hz	14.53	3480

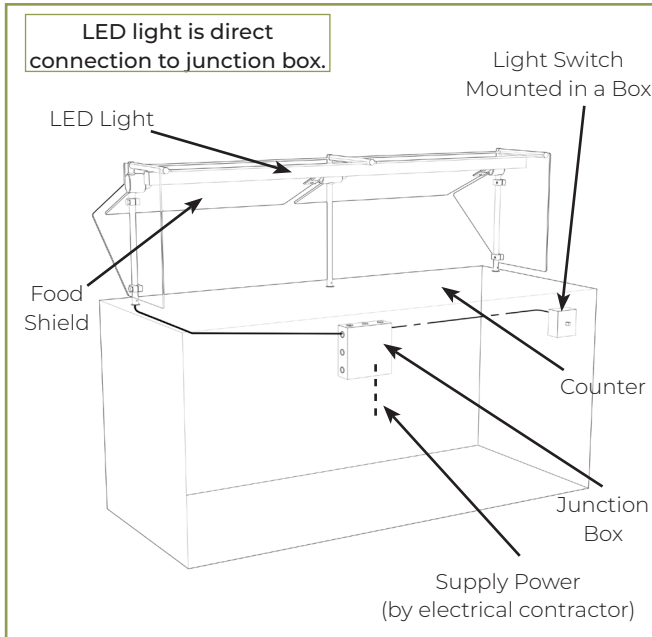
*Volts shown as element voltage (light voltage)

**Total wattage/ampere listed is divided between two circuits.

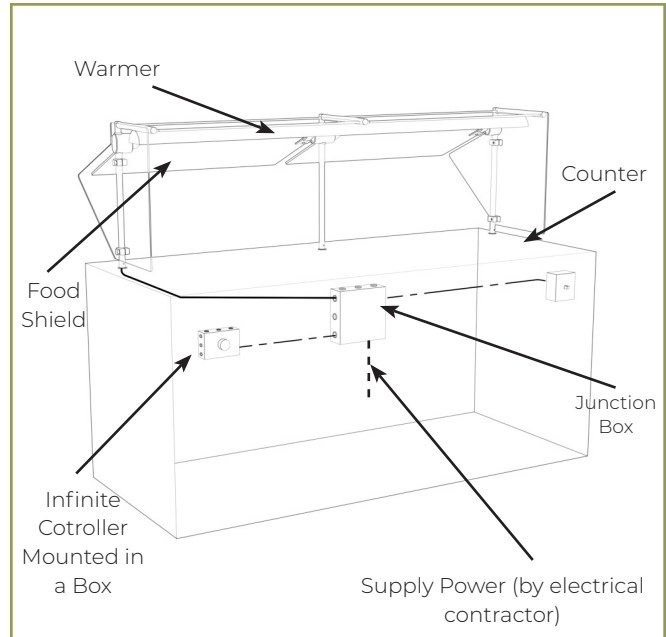


WIRING INSTALLATIONS

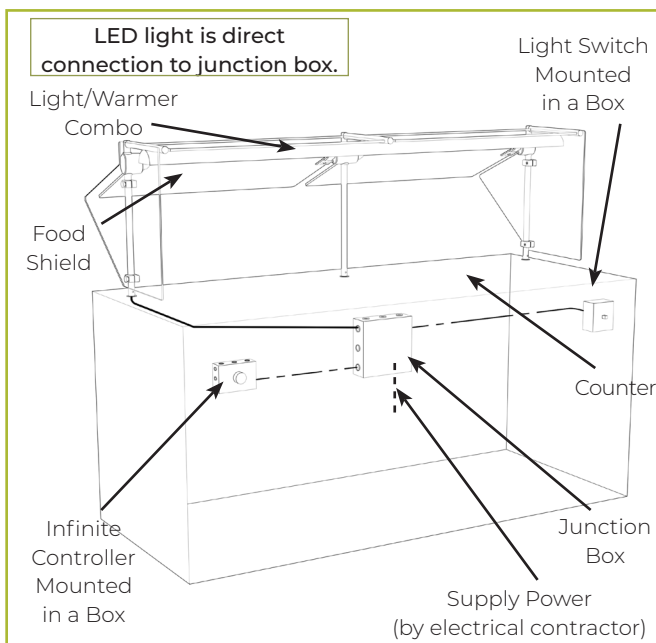
Slimline 2580 LED Light



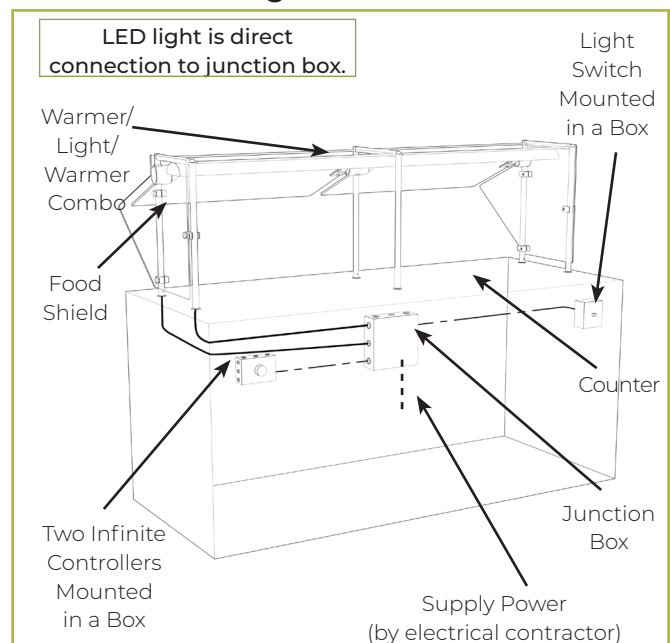
Stealth 790 Warmer



Stealth 705 LED Light & Warmer Combo



Stealth Warmer/Light/Warmer Combo Unit

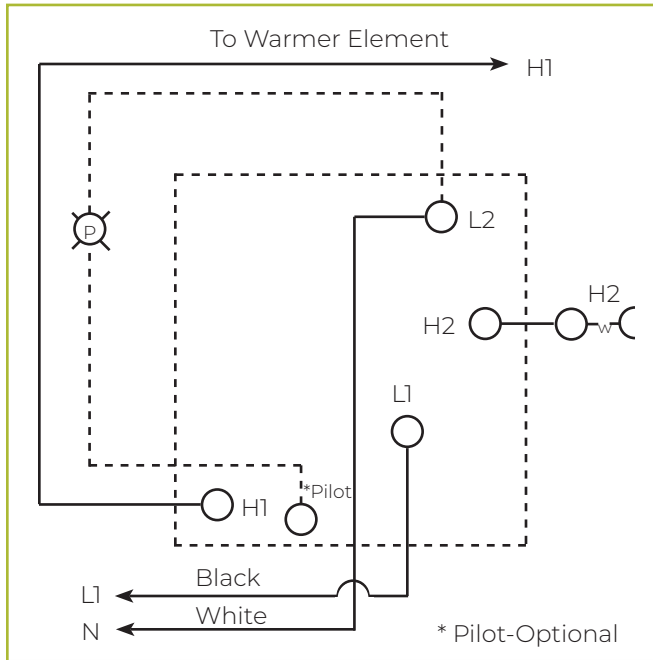


Installation Information

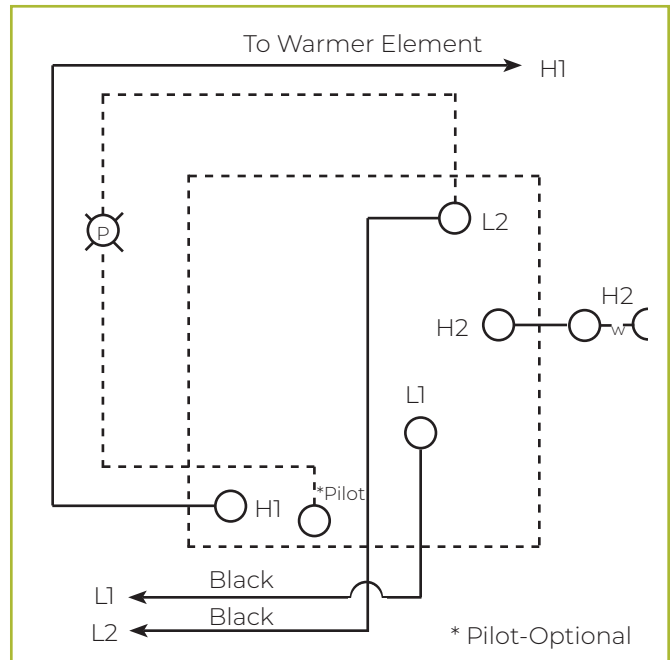
- All wiring should be performed by a certified technician.
- Wires are routed through wire chase/support legs per approved shop drawings.
- Mount the infinite controllers near the wire chase/support leg.
- The infinite controllers, light switch, and six feet of conduit/wiring exiting support legs are provided with all BSI food shields.

WIRING DIAGRAMS

Remote Infinite Control for Stealth Warmer/Combo Units



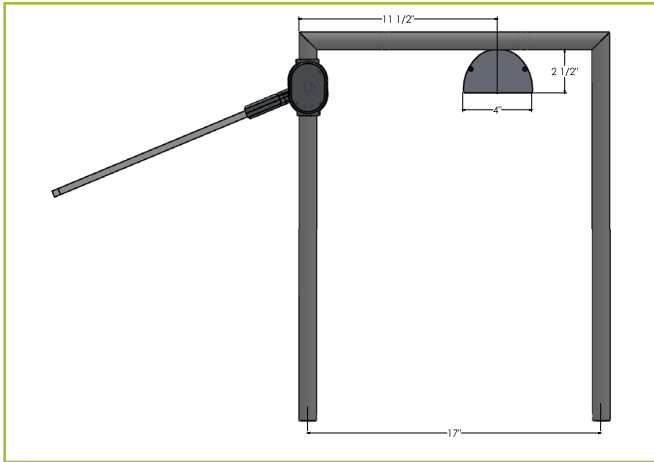
Infinite switch (120V) - Part #581



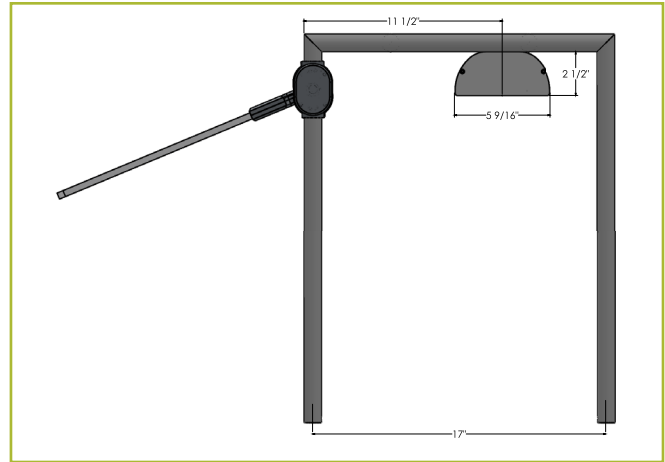
Infinite switch (208V/240V) - Part #582

SAMPLE AXCEST™ LIGHT/WARMER LAYOUTS

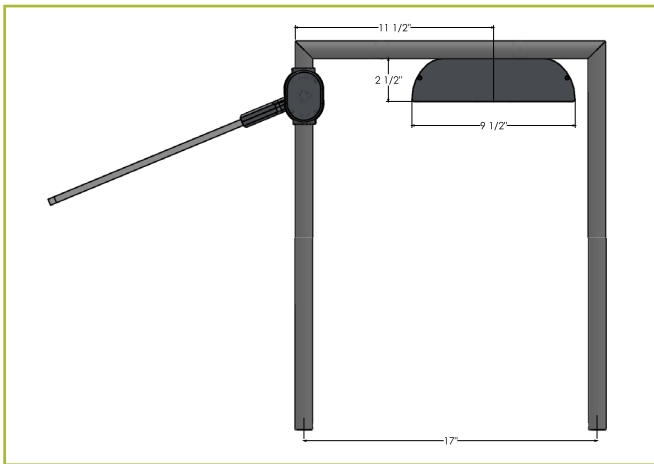
Based on a AX7930 Configuration



AX7930 with Stealth 790 Warmer



AX7930 with Stealth 705 Light/Warmer Combo



AX7930 with Stealth 700 Warmer/Light/Warmer Combo