

## GENERAL INFORMATION

**Project Name:** \_\_\_\_\_

**Item:** \_\_\_\_\_

**Quantity:** \_\_\_\_\_

**Model:** AX7500

**Length:** \_\_\_\_\_

## STANDARD SPECIFICATIONS

- 1" Diameter Brushed Aluminum Posts
- 3/8" Clear Tempered Front Glass Panels (max. span 66")
- 1/4" Clear Tempered Glass End Panels
- 1" Radius Glass Corners

## OPTIONS AND ACCESSORIES

### NSF-LISTED FINISH OPTIONS

- Brushed Aluminum (Standard)
- Stainless Steel #4
- Stainless Steel #8 (Chrome)
- Matte Black
- Gloss Black
- Wrinkle Black
- Prismatic Brass
- Smoked Copper
- Statuary Bronze
- Other \_\_\_\_\_

### GLASS FINISHES

- Clear (Standard)
- Low-Iron
- Frosted
- Frosted Logo/Imprint
- Pattern

### GLASS CORNERS

- 1" Radius Corners (Standard)
- Square Corners

### MOUNTING STYLES (SELECT ONE)

See Installation Page for More Details

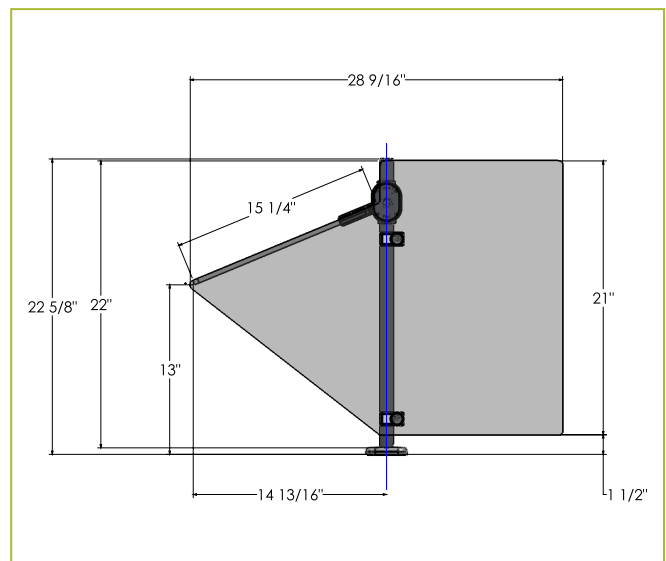
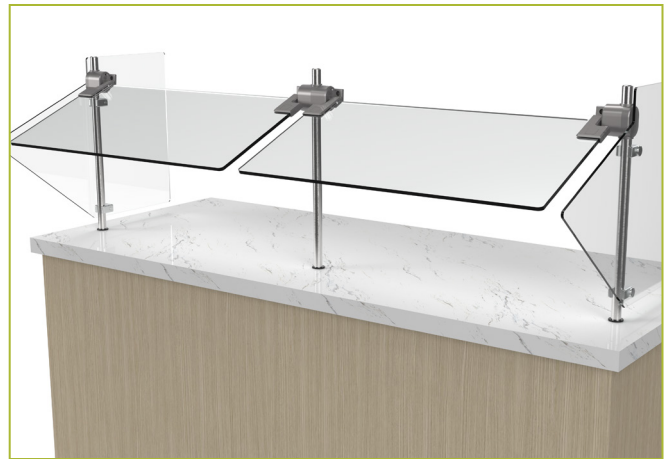
**Above Counter:** Stainless Steel Counter

**Under Counter:** Stainless Steel Counter  
(Requires Under-Counter Reinforcement & Access)

**Above Counter:** Millwork Counter

**Under Counter:** Millwork Counter

## AX7500 Self Serve, Single Post



To meet NSF guidelines, end panels are included on all BSI quotations unless specifically excluded. (See end panel page for more details).

- SS1: EZ Mount 2" x 8" Flange
- SSU3-H: Heavy-Duty Flange
- SSU3-N: Narrow Flange
- SSU5-H: Heavy-Duty Flange
- SSU5-N: Narrow Flange
- MW1: Heavy-Duty Flange
- MW2: Narrow Flange
- MWU3: Narrow Flange
- MWU5: Heavy-Duty Flange
- MWU4: Compression Installation (not recommended for solid surfaces)

Approval Drawings Required  
Specifications subject to change without notice.

