

GENERAL INFORMATION

Project Name: _____

Item: _____

Quantity: _____

Model: _____ BSI-PA _____

Length: _____

STANDARD SPECIFICATIONS

- 1" Round Brushed Stainless #4 Posts
- 1/4" Plexiglass
- DECO-900 Bracket
- 12" Base
- 36" Max Height

OPTIONS AND ACCESSORIES

PRODUCT WIDTH

- 24" (BSI-PA-24)
- 36" (BSI-PA-36)
- 48" (BSI-PA-48)

GUARD MATERIAL

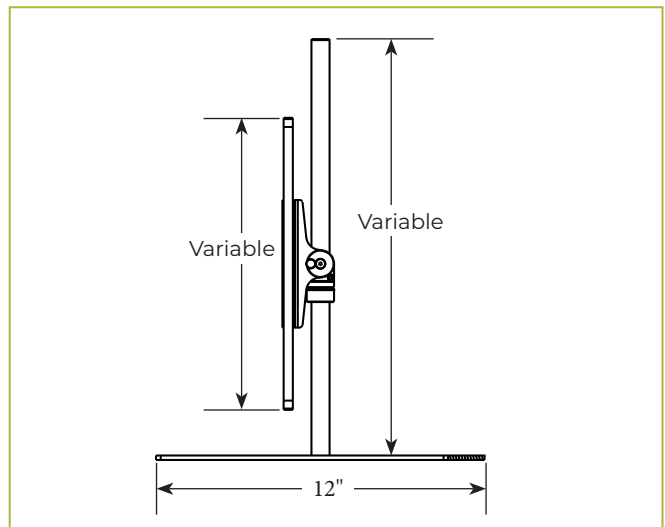
- 1/4" Plexiglass (Standard)
- 1/4" Clear Tempered Glass

SHIPPING INFORMATION

- Two week lead time
- Shipped disassembled (flat)
- FOB Denver, CO — Shipped by others
- Bulk order discount over 100 units (Must be shipped to a single location for full discount.)

BSI-PA

Portable Adjustable Plexiglass Food Shield



GENERAL INFORMATION

Project Name: _____

Item: _____

Quantity: _____

Model: _____ BSI-PF

Length: _____

STANDARD SPECIFICATIONS

- 1" Stainless Steel Posts with Channel
- 1/4" Plexiglass
- 8" Base
- 36" Height

OPTIONS AND ACCESSORIES

GUARD FEATURES

- Solid/Full Service (Standard)
- Pass Through (Cutout can be customized.)

PRODUCT WIDTH

- 24" (BSI-PA-24, w/ Pass Through BSI-PFPT-24)
- 36" (BSI-PA-36, w/ Pass Through BSI-PFPT-36)
- 48" (BSI-PA-48, w/ Pass Through BSI-PFPT-48)

GUARD MATERIAL

- 1/4" Plexiglass (Standard)
- 1/4" Clear Tempered Glass

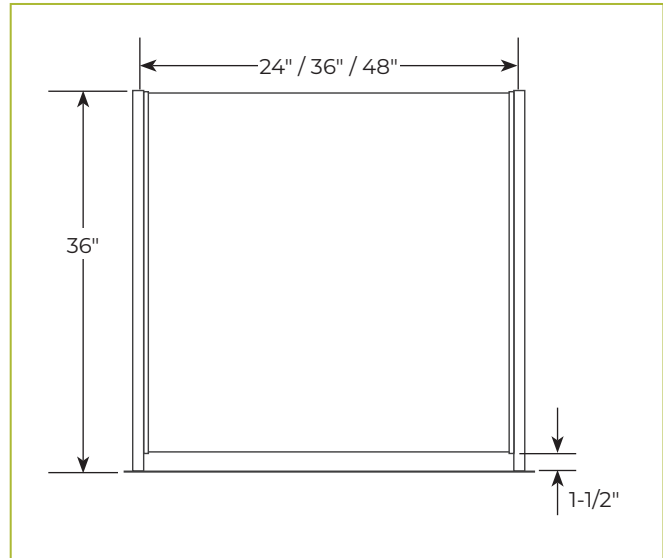
SHIPPING INFORMATION

- Two week lead time
- Shipped disassembled (flat)
- FOB Denver, CO — Shipped by others
- Bulk order discount over 100 units (Must be shipped to a single location for full discount.)

BSI-PF Portable Fixed Plexiglass Food Shield



Shown without pass through option.



GENERAL INFORMATION

Project Name: _____

Item: _____

Quantity: _____

Model: _____ BSI-PW

Length: _____

STANDARD SPECIFICATIONS

- Interlocking Plexiglass Divider
- 1/4" Plexiglass
- 10" Base
- 36" Height

OPTIONS AND ACCESSORIES

GUARD FEATURES

- Solid/Full Service (Standard)
- Pass Through (Custom cutouts available.)

PRODUCT WIDTH

- 24" (BSI-PW-24, w/Pass Through: BSI-PWPT-24)
- 36" (BSI-PW-36, w/Pass Through: BSI-PWPT-36)
- 48" (BSI-PW-48, w/Pass Through: BSI-PWPT-48)

SHIPPING INFORMATION

- Two week lead time
- Shipped disassembled (flat)
- FOB Denver, CO — Shipped by others
- Bulk order discount over 100 units (Must be shipped to a single location for full discount.)

BSI-PW

Portable Plexiglass Food Shield



Shown with pass through option.

