

## GENERAL INFORMATION

Project Name: \_\_\_\_\_

## STANDARD SPECIFICATIONS

- ❑ 1" Round Brushed Stainless Steel #4 Posts
- ❑ 3/8" Clear Tempered Front Glass Panels (max. span 66")
- ❑ 3/8" Clear Tempered Glass Top Shelf
- ❑ 1/4" Clear Tempered Glass End Panels
- ❑ 1" Radius Glass Corners

## OPTIONS AND ACCESSORIES

### NSF-LISTED FINISH OPTIONS

- ❑ Brushed Stainless Steel #4 (Standard)
- ❑ Stainless Steel #8 (Chrome)
- ❑ Powder Coat Color: RAL # \_\_\_\_\_

### GLASS FINISHES

- ❑ Clear (Standard)
- ❑ Low-Iron
- ❑ Frosted
- ❑ Frosted Logo/Imprint
- ❑ Pattern

### GLASS PANEL OPTIONS

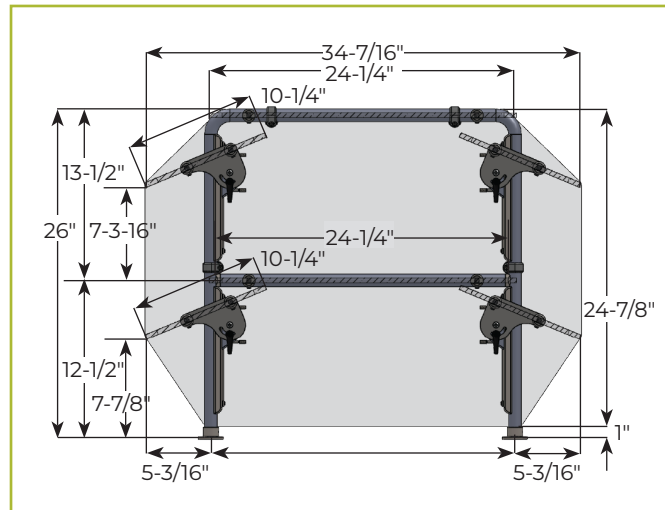
- ❑ 1/4" Glass (max. span 54")
- ❑ 3/8" Glass (max. span 66") (Standard)
- ❑ 1/2" Glass (max. span 72")

### MOUNTING OPTIONS

BSI offers a variety of above counter and under counter mount installation solutions based on countertop material. See Mounting Options page for more details.

## EA101A-5

*Double Sided, Two Tier, Self Serve w/ Top Shelves, U-Shaped Post*



Top shelf for prepackaged food only.

To meet NSF guidelines, end panels are included on all BSI quotations unless specifically excluded. (See end panel page for more details).

### LIGHT AND WARMER OPTIONS

Model #	Description
❑ 705E	Helios® Light & Warmer Unit
❑ 2580E	Helios® Light Unit