

GENERAL INFORMATION

Project Name: _____

STANDARD SPECIFICATIONS

- 1" Round Brushed Stainless Steel #4 Posts
- 3/8" Clear Tempered Front Glass Panels (max. span 66")
- 3/8" Clear Tempered Glass Top Shelf
- 1/4" Clear Tempered Glass End Panels
- 1" Radius Glass Corners

OPTIONS AND ACCESSORIES

NSF-LISTED FINISH OPTIONS

- Brushed Stainless Steel #4 (Standard)
- Stainless Steel #8 (Chrome)
- Powder Coat Color: RAL # _____

GLASS FINISHES

- Clear (Standard)
- Low-Iron
- Frosted
- Frosted Logo/Imprint
- Pattern

GLASS PANEL OPTIONS

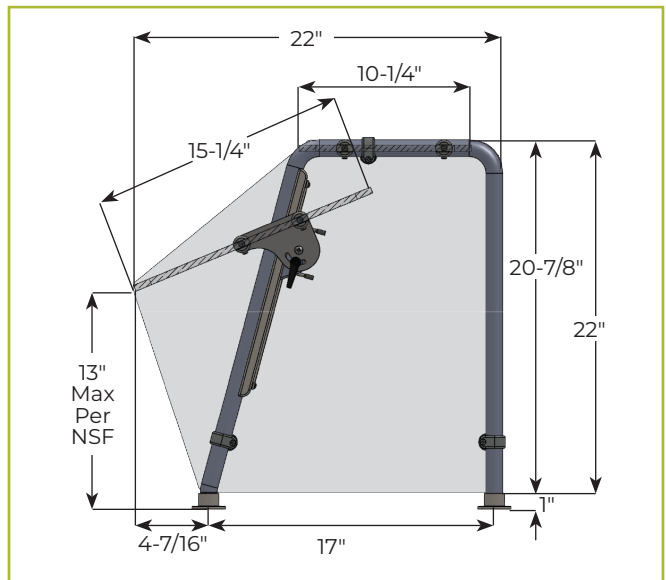
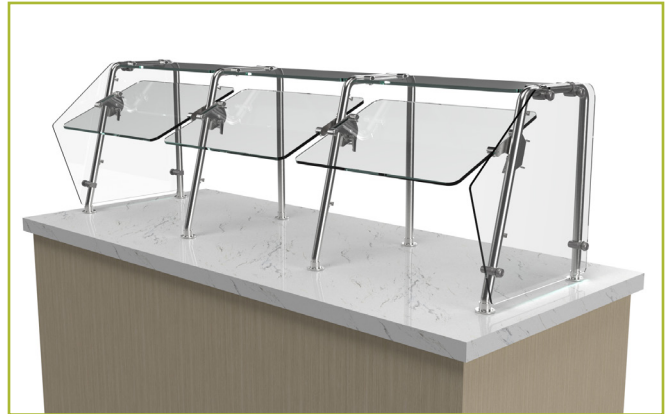
- 1/4" Glass (max. span 54")
- 3/8" Glass (max. span 66") (Standard)
- 1/2" Glass (max. span 72")

MOUNTING OPTIONS

BSI offers a variety of above counter and under counter mount installation solutions based on countertop material. See Mounting Options page for more details.

EA112A

Self Serve w/ Top Shelf, Angled Posts



To meet NSF guidelines, end panels are included on all BSI quotations unless specifically excluded. (See end panel page for more details).

LIGHT AND WARMER OPTIONS

Model #	Description
<input type="checkbox"/> 705E	Helios® Light & Warmer Unit
<input type="checkbox"/> 2580E	Helios® Light Unit