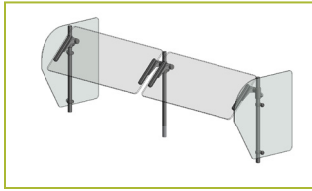
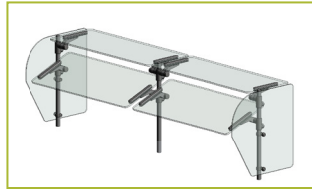


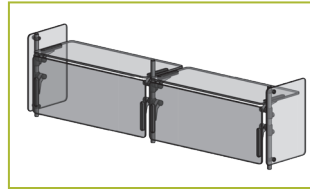
## QUICK REFERENCE GUIDE



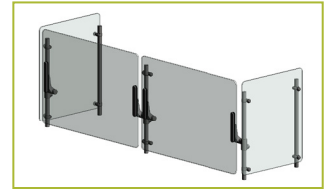
AG2500



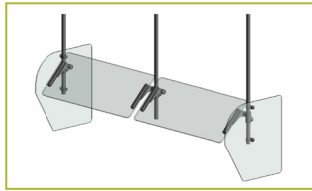
AG2500-2



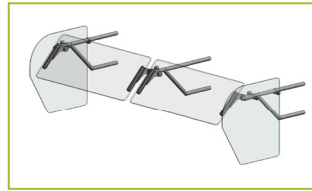
AG2500-3



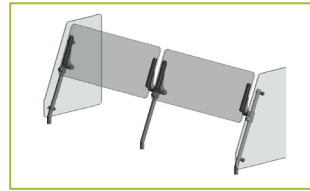
AG2500-4



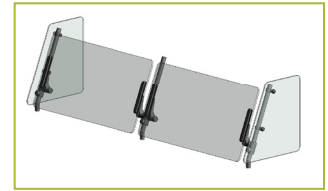
AG2500-5



AG2500-6



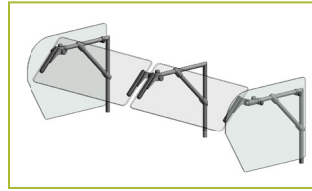
AG2560



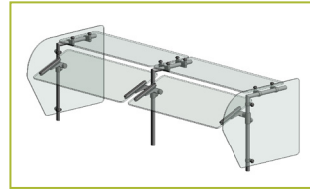
AG2560-2



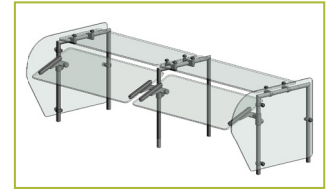
AG2600



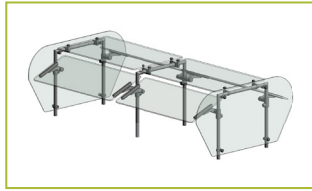
AG2900



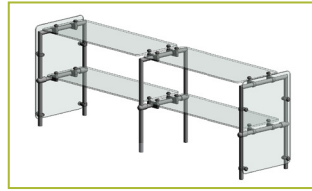
AG2915



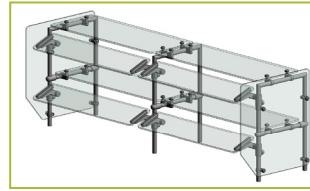
AG2930



AG2930-2



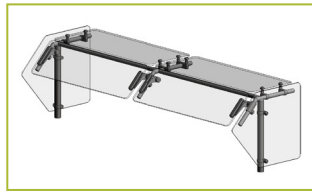
AG2930-3



AG2930-5



AG2935



AG2945



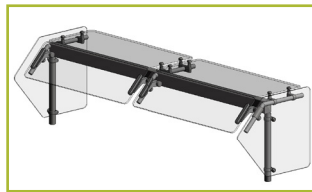
AG2945-3



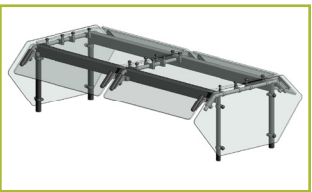
AG2945-4



AG2945-5



AG2950



AG2950-2

## PROJECT INFORMATION

Project Name: \_\_\_\_\_

## STANDARD SPECIFICATIONS

- 1" Diameter Post & Bracket in Brushed Stainless Steel Finish
- 3/8" Clear Tempered Front Glass Panels (max. span 66")
- 1/4" Clear Tempered Glass End Panels
- 1" Radius Glass Corners

## OPTIONS AND ACCESSORIES

### NSF-LISTED FINISH OPTIONS

- Brushed Stainless (Standard)
- Gloss Black

### GLASS THICKNESS

- 1/4" Clear Tempered Front Glass Panels (max. span 54")  
- not for shelves
- 3/8" Clear Tempered Front Glass Panels (max. span 66")  
(Standard)
- 1/2" Clear Tempered Front Glass Panels (max. span 72")  
- for shelf or span more than 66"

### GLASS FINISHES

- Clear (Standard)
- Low Iron
- Frosted
- Frosted Logo/Imprint
- Pattern

### GLASS CORNERS

- 1" Radius Corners (Standard)
- Square Corners

## MOUNTING STYLES (SELECT ONE)

See installation page for more details.

**Above Counter:** Stainless Steel Counter

**Under Counter:** Stainless Steel Counter  
(Requires under-counter reinforcement and access.)

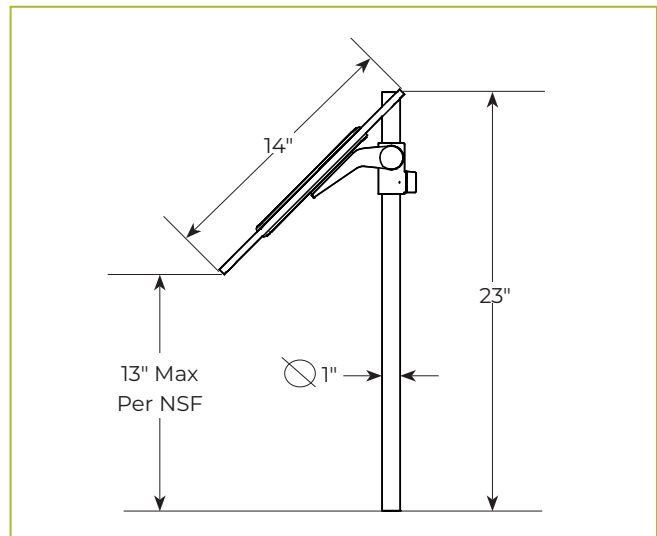
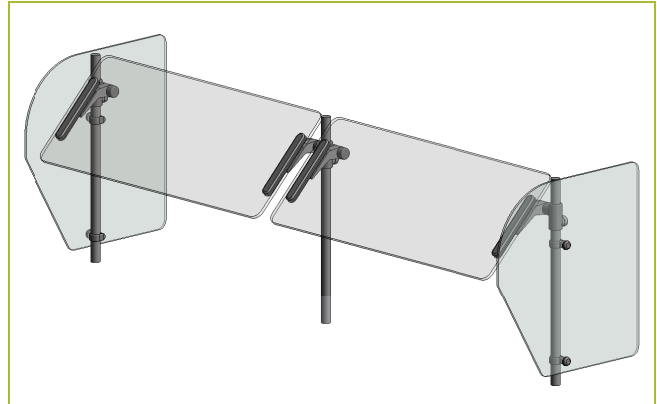
**Above Counter:** Millwork Counter

**Under Counter:** Millwork Counter  
(Compression installation not recommended for solid surface countertops.)

- EZ Mount - 2" x 8" Flange
- Heavy-Duty, Inverted Flange
- Heavy-Duty, Upright Flange
- Heavy-Duty Flange
- Heavy-Duty, Inverted Flange
- Heavy-Duty, Compression Flange
- Narrow, Inverted Flange
- Narrow, Upright Flange
- Narrow Flange
- Narrow, Inverted Flange
- Narrow, Compression Flange

## AG2500

*Self Serve, Single Post*



To meet NSF guidelines, end panels are included on all BSI quotations unless specifically excluded. (See end panel page for more details.)

## PROJECT INFORMATION

Project Name: \_\_\_\_\_

## STANDARD SPECIFICATIONS

- 1" Diameter Post & Bracket in Brushed Stainless Steel Finish
- 3/8" Clear Tempered Front Glass Panels (max. span 66")
- 1/4" Clear Tempered Glass End Panels
- 1" Radius Glass Corners

## OPTIONS AND ACCESSORIES

### NSF-LISTED FINISH OPTIONS

- Brushed Stainless (Standard)
- Gloss Black

### GLASS THICKNESS

- 1/4" Clear Tempered Front Glass Panels (max. span 54") - not for shelves
- 3/8" Clear Tempered Front Glass Panels (max. span 66") (Standard)
- 1/2" Clear Tempered Front Glass Panels (max. span 72") - for shelf or span more than 66"

### GLASS FINISHES

- Clear (Standard)
- Low Iron
- Frosted
- Frosted Logo/Imprint
- Pattern

### GLASS CORNERS

- 1" Radius Corners (Standard)
- Square Corners

## LIGHT OPTIONS

Model #	Description
<input type="checkbox"/> 2580	BSI Slimline LED Light

All BSI light units are UL Listed. See light spec sheets for detailed information. Also available with other manufacturers' light units. Contact BSI for details.

## MOUNTING STYLES (SELECT ONE)

See installation page for more details.

**Above Counter:** Stainless Steel Counter

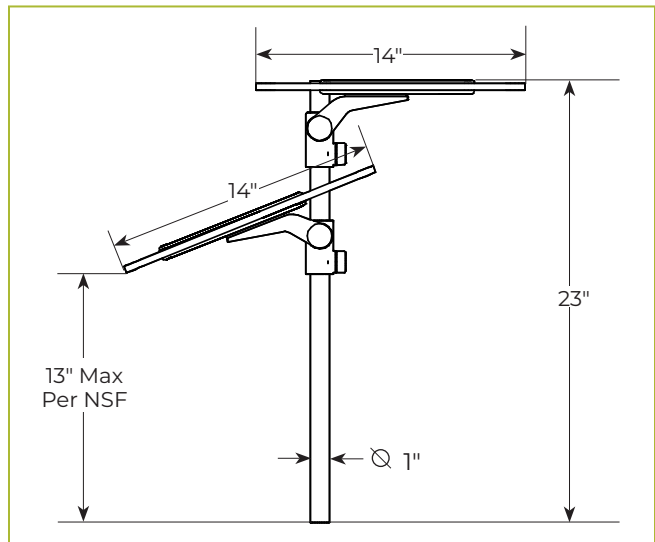
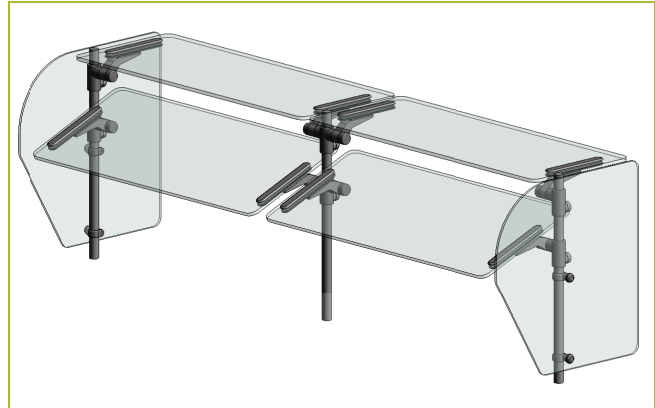
**Under Counter:** Stainless Steel Counter  
(Requires under-counter reinforcement and access.)

**Above Counter:** Millwork Counter

**Under Counter:** Millwork Counter  
(Compression installation not recommended for solid surface countertops.)

## AG2500-2

### Self Serve w/ Top Shelf, L-Shaped Post



To meet NSF guidelines, end panels are included on all BSI quotations unless specifically excluded. (See end panel page for more details.)

- EZ Mount - 2" x 8" Flange
- Heavy-Duty, Inverted Flange
- Heavy-Duty, Upright Flange
- Heavy-Duty Flange
- Heavy-Duty, Inverted Flange
- Heavy-Duty, Compression Flange
- Narrow, Inverted Flange
- Narrow, Upright Flange
- Narrow Flange
- Narrow, Inverted Flange
- Narrow, Compression Flange

## GENERAL INFORMATION

Project Name: \_\_\_\_\_

## STANDARD SPECIFICATIONS

- 1" Diameter Post & Bracket in Brushed Stainless Steel Finish
- 3/8" Clear Tempered Front Glass Panels (max. span 66")
- 1/4" Clear Tempered Glass End Panels
- 1" Radius Glass Corners

## OPTIONS AND ACCESSORIES

### NSF-LISTED FINISH OPTIONS

- Brushed Stainless (Standard)
- Gloss Black

### GLASS THICKNESS

- 1/4" Clear Tempered Front Glass Panels (max. span 54" - not for shelves)
- 3/8" Clear Tempered Front Glass Panels (max. span 66") (Standard)
- 1/2" Clear Tempered Front Glass Panels (max. span 72") - for shelf or span more than 66"

### GLASS FINISHES

- Clear (Standard)
- Frosted
- Pattern
- Low Iron
- Frosted Logo/Imprint

### GLASS CORNERS

- 1" Radius Corners (Standard)
- Square Corners

## LIGHT OPTIONS

- | Model #                       | Description            |
|-------------------------------|------------------------|
| <input type="checkbox"/> 2580 | BSI Slimline LED Light |

All BSI light units are UL Listed. See light spec sheets for detailed information. Also available with other manufacturers' light units. Contact BSI for details.

## MOUNTING STYLES (SELECT ONE)

See installation page for more details.

**Above Counter:** Stainless Steel Counter

**Under Counter:** Stainless Steel Counter  
(Requires under-counter reinforcement and access.)

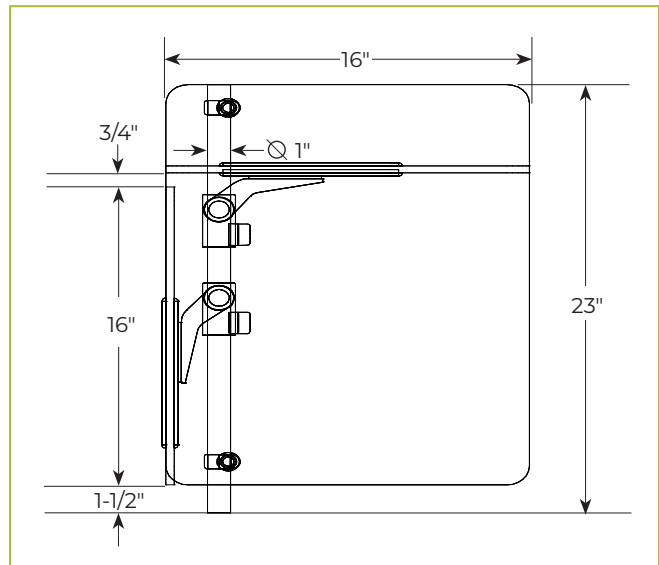
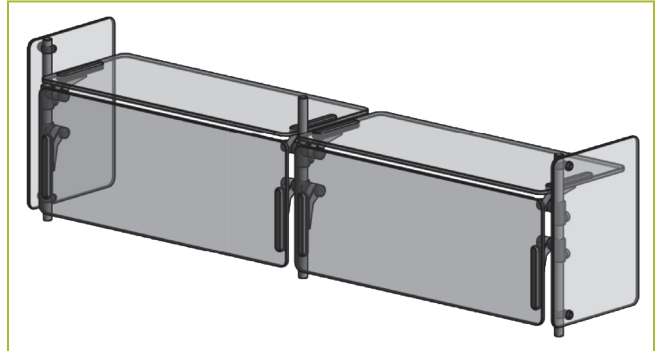
**Above Counter:** Millwork Counter

**Under Counter:** Millwork Counter  
(Compression installation not recommended for solid surface countertops.)

- EZ Mount - 2" x 8" Flange
- Heavy-Duty, Inverted Flange
- Heavy-Duty, Upright Flange
- Heavy-Duty Flange
- Heavy-Duty, Inverted Flange
- Heavy-Duty, Compression Flange
- Narrow, Inverted Flange
- Narrow, Upright Flange
- Narrow Flange
- Narrow, Inverted Flange
- Narrow, Compression Flange

## AG2500-3

Full Serve w/Offset Shelf,  
L-Shaped Post



To meet NSF guidelines, end panels are included on all BSI quotations unless specifically excluded. (See end panel page for more details.)

## GENERAL INFORMATION

Project Name: \_\_\_\_\_

## STANDARD SPECIFICATIONS

- 1" Diameter Post & Bracket in Brushed Stainless Steel Finish
- 3/8" Clear Tempered Front Glass Panels (max. span 66")
- 1/4" Clear Tempered Glass End Panels
- 1" Radius Glass Corners

## OPTIONS AND ACCESSORIES

### NSF-LISTED FINISH OPTIONS

- Brushed Stainless (Standard)
- Gloss Black

### GLASS THICKNESS

- 1/4" Clear Tempered Front Glass Panels (max. span 54" - not for shelves)
- 3/8" Clear Tempered Front Glass Panels (max. span 66") (Standard)
- 1/2" Clear Tempered Front Glass Panels (max. span 72") - for shelf or span more than 66"

### GLASS FINISHES

- Clear (Standard)
- Low Iron
- Frosted
- Frosted Logo/Imprint
- Pattern

### GLASS CORNERS

- 1" Radius Corners (Standard)
- Square Corners

## MOUNTING STYLES (SELECT ONE)

See installation page for more details.

**Above Counter:** Stainless Steel Counter

**Under Counter:** Stainless Steel Counter

(Requires under-counter reinforcement and access.)

**Above Counter:** Millwork Counter

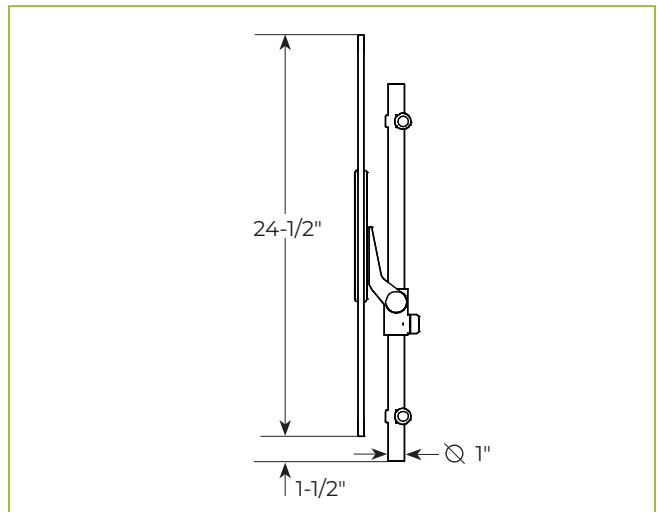
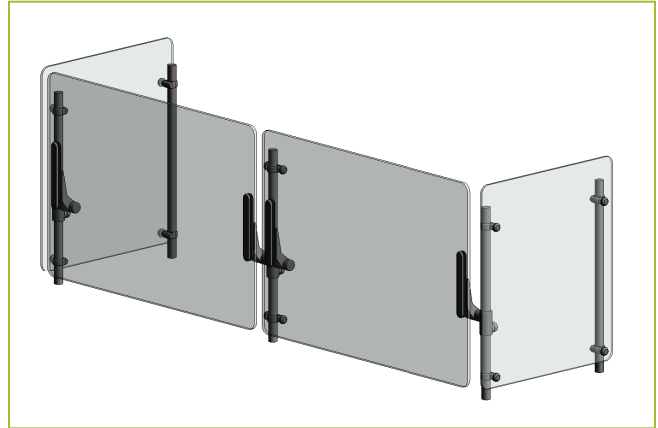
**Under Counter:** Millwork Counter

(Compression installation not recommended for solid surface countertops.)

- EZ Mount - 2" x 8" Flange
- Heavy-Duty, Inverted Flange
- Heavy-Duty, Upright Flange
- Heavy-Duty Flange
- Heavy-Duty, Inverted Flange
- Heavy-Duty, Compression Flange
- Narrow, Inverted Flange
- Narrow, Upright Flange
- Narrow Flange
- Narrow, Inverted Flange
- Narrow, Compression Flange

## AG2500-4

Full Serve, Dual Post



To meet NSF guidelines, end panels are included on all BSI quotations unless specifically excluded. (See end panel page for more details.)

## GENERAL INFORMATION

Project Name: \_\_\_\_\_

## STANDARD SPECIFICATIONS

- 1" Diameter Post & Bracket in Brushed Stainless Steel Finish
- 3/8" Clear Tempered Front Glass Panels (max. span 66")
- 1/4" Clear Tempered Glass End Panels
- 1" Radius Glass Corners

## OPTIONS AND ACCESSORIES

### NSF-LISTED FINISH OPTIONS

- Brushed Stainless (Standard)
- Gloss Black

### GLASS THICKNESS

- 1/4" Clear Tempered Front Glass Panels (max. span 54" - not for shelves)
- 3/8" Clear Tempered Front Glass Panels (max. span 66") (Standard)
- 1/2" Clear Tempered Front Glass Panels (max. span 72" - for shelf or span more than 66")

### GLASS FINISHES

- Clear (Standard)
- Low Iron
- Frosted
- Frosted Logo/Imprint
- Pattern

### GLASS CORNERS

- 1" Radius Corners (Standard)
- Square Corners

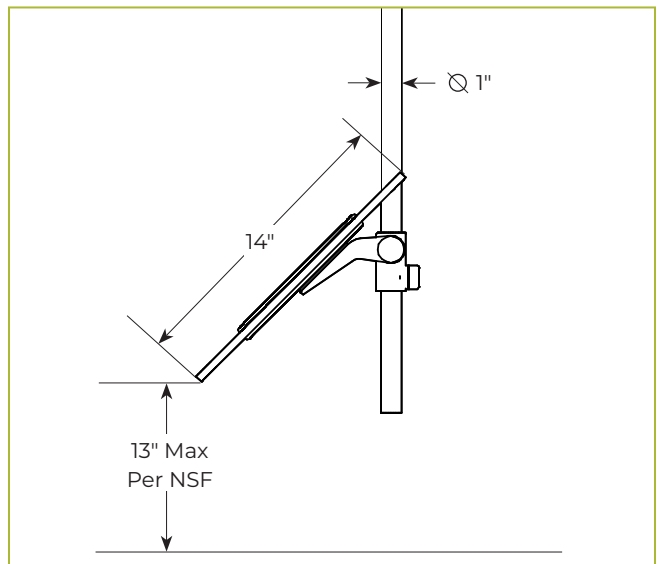
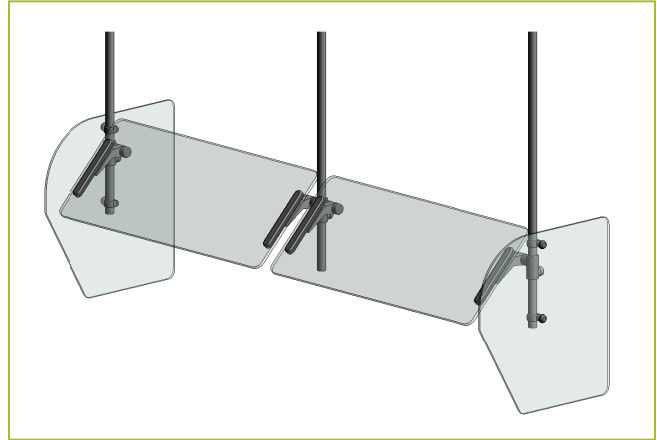
## MOUNTING STYLES (SELECT ONE)

See installation page for more details.

**Above Counter:** Millwork Counter - Heavy-Duty Flange  
Contact factory for optional installation methods.

## AG2500-5

Self Serve, Ceiling Mount



To meet NSF guidelines, end panels are included on all BSI quotations unless specifically excluded. (See end panel page for more details.)

## GENERAL INFORMATION

Project Name: \_\_\_\_\_

## STANDARD SPECIFICATIONS

- 1" Diameter Post & Bracket in Brushed Stainless Steel Finish
- 3/8" Clear Tempered Front Glass Panels (max. span 66")
- 1/4" Clear Tempered Glass End Panels
- 1" Radius Glass Corners

## OPTIONS AND ACCESSORIES

### NSF-LISTED FINISH OPTIONS

- Brushed Stainless (Standard)
- Gloss Black

### GLASS THICKNESS

- 1/4" Clear Tempered Front Glass Panels (max. span 54" - not for shelves)
- 3/8" Clear Tempered Front Glass Panels (max. span 66") (Standard)
- 1/2" Clear Tempered Front Glass Panels (max. span 72") - for shelf or span more than 66"

### GLASS FINISHES

- Clear (Standard)
- Low Iron
- Frosted
- Frosted Logo/Imprint
- Pattern

### GLASS CORNERS

- 1" Radius Corners (Standard)
- Square Corners

## MOUNTING STYLES (SELECT ONE)

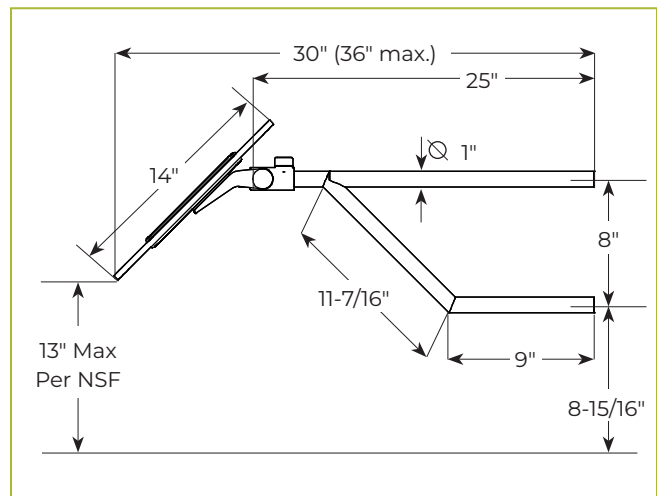
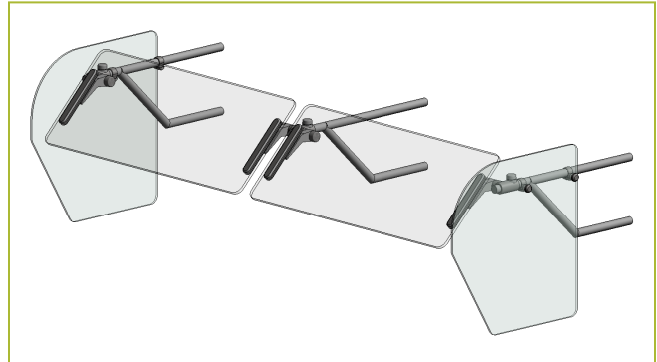
See installation page for more details.

**Above Counter:** Millwork Counter - Heavy-Duty Flange

Contact factory for optional installation methods.

## AG2500-6

Self Serve, Wall Mount



To meet NSF guidelines, end panels are included on all BSI quotations unless specifically excluded. (See end panel page for more details.)

## GENERAL INFORMATION

Project Name: \_\_\_\_\_

## STANDARD SPECIFICATIONS

- 1" Diameter Post & Bracket in Brushed Stainless Steel Finish
- 3/8" Clear Tempered Front Glass Panels (max. span 66")
- 1/4" Clear Tempered Glass End Panels
- 1" Radius Glass Corners

## OPTIONS AND ACCESSORIES

### NSF-LISTED FINISH OPTIONS

- Brushed Stainless (Standard)
- Gloss Black

### GLASS THICKNESS

- 1/4" Clear Tempered Front Glass Panels (max. span 54" - not for shelves)
- 3/8" Clear Tempered Front Glass Panels (max. span 66") (Standard)
- 1/2" Clear Tempered Front Glass Panels (max. span 72") - for shelf or span more than 66"

### GLASS FINISHES

- Clear (Standard)
- Low Iron
- Frosted
- Frosted Logo/Imprint
- Pattern

### GLASS CORNERS

- 1" Radius Corners (Standard)
- Square Corners

## MOUNTING STYLES (SELECT ONE)

See installation page for more details.

**Above Counter:** Stainless Steel Counter

**Under Counter:** Stainless Steel Counter  
(Requires under-counter reinforcement and access.)

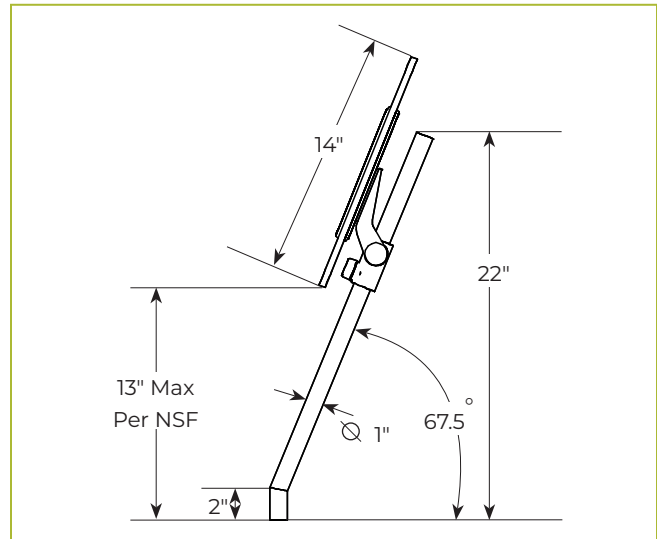
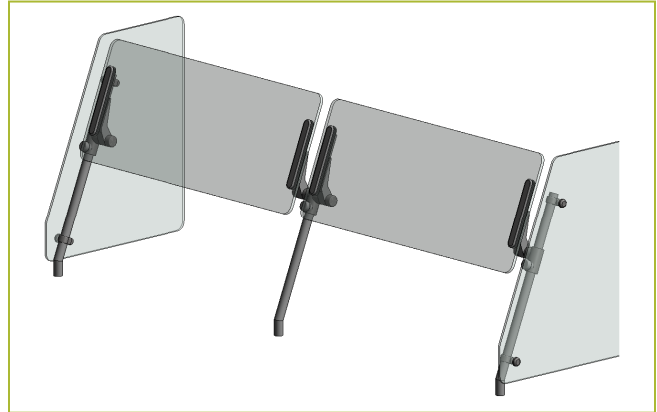
**Above Counter:** Millwork Counter

**Under Counter:** Millwork Counter  
(Compression installation not recommended for solid surface countertops.)

- EZ Mount - 2" x 8" Flange
- Heavy-Duty, Inverted Flange
- Heavy-Duty, Upright Flange
- Heavy-Duty Flange
- Heavy-Duty, Inverted Flange
- Heavy-Duty, Compression Flange
- Narrow, Inverted Flange
- Narrow, Upright Flange
- Narrow Flange
- Narrow, Inverted Flange
- Narrow, Compression Flange

## AG2560

### Self Serve, Single Angled Post



To meet NSF guidelines, end panels are included on all BSI quotations unless specifically excluded. (See end panel page for more details.)



## GENERAL INFORMATION

Project Name: \_\_\_\_\_

## STANDARD SPECIFICATIONS

- 1" Diameter Post & Bracket in Brushed Stainless Steel Finish
- 3/8" Clear Tempered Front Glass Panels (max. span 66")
- 1/4" Clear Tempered Glass End Panels
- 1" Radius Glass Corners

## OPTIONS AND ACCESSORIES

### NSF-LISTED FINISH OPTIONS

- Brushed Stainless (Standard)
- Gloss Black

### GLASS THICKNESS

- 1/4" Clear Tempered Front Glass Panels (max. span 54" - not for shelves)
- 3/8" Clear Tempered Front Glass Panels (max. span 66") (Standard)
- 1/2" Clear Tempered Front Glass Panels (max. span 72" - for shelf or span more than 66")

### GLASS FINISHES

- Clear (Standard)
- Low Iron
- Frosted
- Frosted Logo/Imprint
- Pattern

### GLASS CORNERS

- 1" Radius Corners (Standard)
- Square Corners

## MOUNTING STYLES (SELECT ONE)

See installation page for more details.

**Above Counter:** Stainless Steel Counter

**Under Counter:** Stainless Steel Counter  
(Requires under-counter reinforcement and access.)

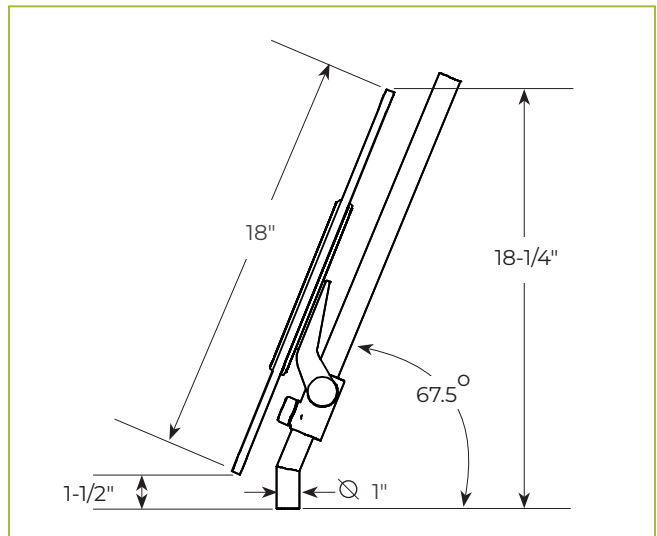
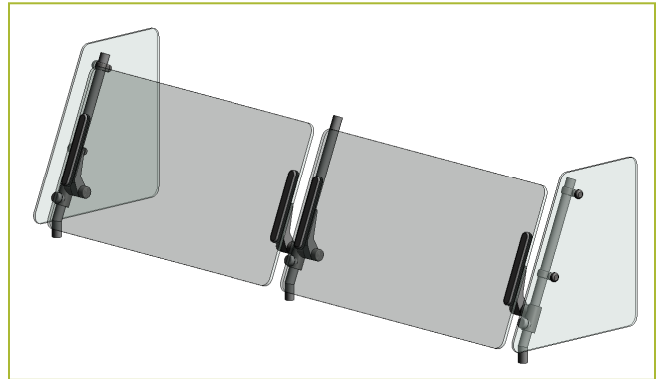
**Above Counter:** Millwork Counter

**Under Counter:** Millwork Counter  
(Compression installation not recommended for solid surface countertops.)

- EZ Mount - 2" x 8" Flange
- Heavy-Duty, Inverted Flange
- Heavy-Duty, Upright Flange
- Heavy-Duty Flange
- Heavy-Duty, Inverted Flange
- Heavy-Duty, Compression Flange
- Narrow, Inverted Flange
- Narrow, Upright Flange
- Narrow Flange
- Narrow, Inverted Flange
- Narrow, Compression Flange

## AG2560-2

Full Serve, Single Angled Post



To meet NSF guidelines, end panels are included on all BSI quotations unless specifically excluded. (See end panel page for more details.)

## GENERAL INFORMATION

Project Name: \_\_\_\_\_

## STANDARD SPECIFICATIONS

- 1" Diameter Post & Bracket in Brushed Stainless Steel Finish
- 3/8" Clear Tempered Front Glass Panels (max. span 66")
- 1/4" Clear Tempered Glass End Panels
- 1" Radius Glass Corners

## OPTIONS AND ACCESSORIES

### NSF-LISTED FINISH OPTIONS

- Brushed Stainless (Standard)
- Gloss Black

### GLASS THICKNESS

- 1/4" Clear Tempered Front Glass Panels (max. span 54" - not for shelves)
- 3/8" Clear Tempered Front Glass Panels (max. span 66") (Standard)
- 1/2" Clear Tempered Front Glass Panels (max. span 72") - for shelf or span more than 66"

*For widths greater than 47", contact BSI.*

### GLASS FINISHES

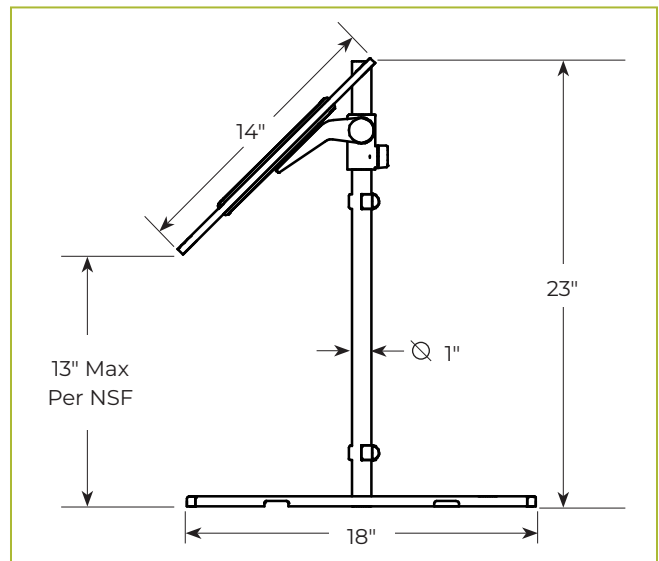
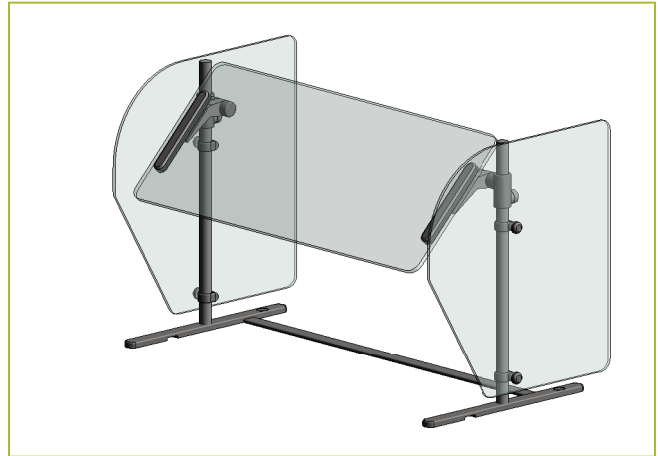
- Clear (Standard)
- Low Iron
- Frosted
- Frosted Logo/Imprint
- Pattern

### GLASS CORNERS

- 1" Radius Corners (Standard)
- Square Corners

## AG2600

### Portable Food Guard



*To meet NSF guidelines, end panels are included on all BSI quotations unless specifically excluded. (See end panel page for more details.)*

## GENERAL INFORMATION

Project Name: \_\_\_\_\_

## STANDARD SPECIFICATIONS

- 1" Diameter Post & Bracket in Brushed Stainless Steel Finish
- 3/8" Clear Tempered Front Glass Panels (max. span 66")
- 1/4" Clear Tempered Glass End Panels
- 1" Radius Glass Corners

## OPTIONS AND ACCESSORIES

### NSF-LISTED FINISH OPTIONS

- Brushed Stainless (Standard)
- Gloss Black

### GLASS THICKNESS

- 1/4" Clear Tempered Front Glass Panels (max. span 54" - not for shelves)
- 3/8" Clear Tempered Front Glass Panels (max. span 66") (Standard)
- 1/2" Clear Tempered Front Glass Panels (max. span 72") - for shelf or span more than 66"

### GLASS FINISHES

- Clear (Standard)
- Low Iron
- Frosted
- Frosted Logo/Imprint
- Pattern

### GLASS CORNERS

- 1" Radius Corners (Standard)
- Square Corners

## LIGHT OPTIONS

Model #	Description
<input type="checkbox"/> 2580	BSI Slimline LED Light

Contact BSI for warmer information.

All BSI light units are UL Listed. See light spec sheets for detailed information. Also available with other manufacturers' light units. Contact BSI for details.

## MOUNTING STYLES (SELECT ONE)

See installation page for more details.

**Above Counter:** Stainless Steel Counter

**Under Counter:** Stainless Steel Counter  
(Requires under-counter reinforcement and access.)

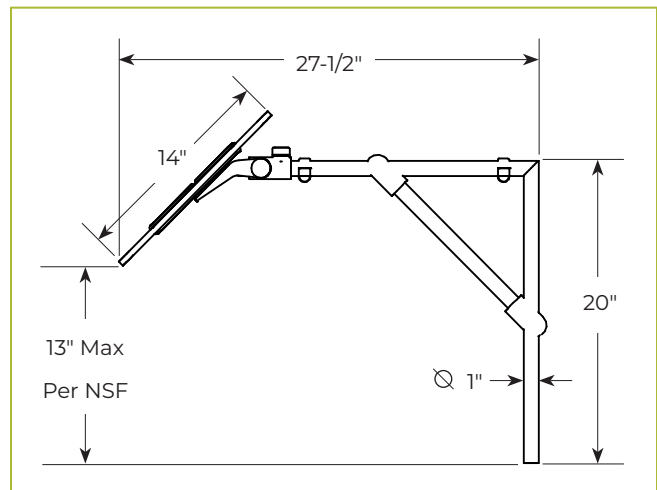
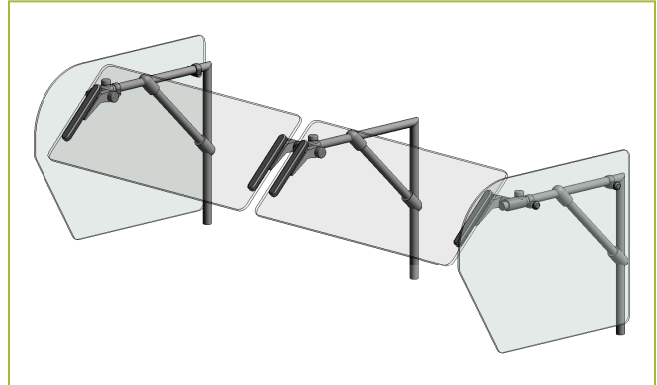
**Above Counter:** Millwork Counter

**Under Counter:** Millwork Counter  
(Compression installation not recommended for solid surface countertops.)

- EZ Mount - 2" x 8" Flange
- Heavy-Duty, Inverted Flange
- Heavy-Duty, Upright Flange
- Heavy-Duty Flange
- Heavy-Duty, Inverted Flange
- Heavy-Duty, Compression Flange
- Narrow, Inverted Flange
- Narrow, Upright Flange
- Narrow Flange
- Narrow, Inverted Flange
- Narrow, Compression Flange

## AG2900

### Self Serve, L-Shaped Back Post



To meet NSF guidelines, end panels are included on all BSI quotations unless specifically excluded. (See end panel page for more details.)

## GENERAL INFORMATION

Project Name: \_\_\_\_\_

## STANDARD SPECIFICATIONS

- 1" Diameter Post & Bracket in Brushed Stainless Steel Finish
- 3/8" Clear Tempered Front Glass Panels (max. span 66")
- 1/4" Clear Tempered Glass End Panels
- 1" Radius Glass Corners

## OPTIONS AND ACCESSORIES

### NSF-LISTED FINISH OPTIONS

- Brushed Stainless (Standard)
- Gloss Black

### GLASS THICKNESS

- 1/4" Clear Tempered Front Glass Panels (max. span 54" - not for shelves)
- 3/8" Clear Tempered Front Glass Panels (max. span 66") (Standard)
- 1/2" Clear Tempered Front Glass Panels (max. span 72") - for shelf or span more than 66"

### GLASS FINISHES

- Clear (Standard)
- Low Iron
- Frosted
- Frosted Logo/Imprint
- Pattern

### GLASS CORNERS

- 1" Radius Corners (Standard)
- Square Corners

## LIGHT OPTIONS

Model #	Description
<input type="checkbox"/> 2580	BSI Slimline LED Light

Contact BSI for warmer information.

All BSI light units are UL Listed. See light spec sheets for detailed information. Also available with other manufacturers' light units. Contact BSI for details.

## MOUNTING STYLES (SELECT ONE)

See installation page for more details. Guards with lights require mounting at least 6" below counter depth.

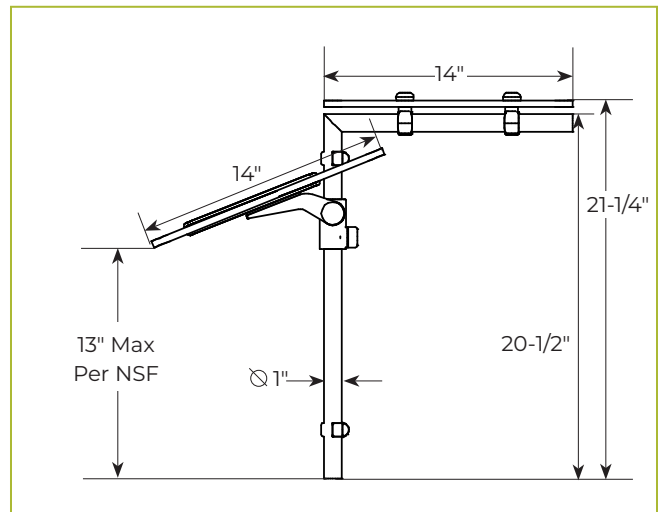
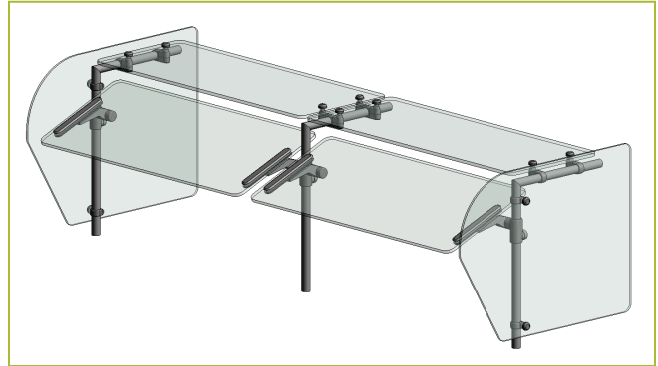
**Under Counter:** Stainless Steel Counter  
(Requires under-counter reinforcement and access.)

**Under Counter:** Millwork Counter  
(Compression installation not recommended for solid surface countertops.)

- Heavy-Duty, Inverted Flange
- Heavy-Duty, Upright Flange
- Heavy-Duty, Inverted Flange
- Heavy-Duty, Compression Flange
- Narrow, Inverted Flange
- Narrow, Upright Flange
- Narrow, Inverted Flange
- Narrow, Compression Flange

## AG2915

### Self Serve, L-Shaped Front Post



To meet NSF guidelines, end panels are included on all BSI quotations unless specifically excluded. (See end panel page for more details.)

## GENERAL INFORMATION

Project Name: \_\_\_\_\_

## STANDARD SPECIFICATIONS

- 1" Diameter Post & Bracket in Brushed Stainless Steel Finish
- 3/8" Clear Tempered Front Glass Panels (max. span 66")
- 1/4" Clear Tempered Glass End Panels
- 1" Radius Glass Corners

## OPTIONS AND ACCESSORIES

### NSF-LISTED FINISH OPTIONS

- Brushed Stainless (Standard)
- Gloss Black

### GLASS THICKNESS

- 1/4" Clear Tempered Front Glass Panels (max. span 54" - not for shelves)
- 3/8" Clear Tempered Front Glass Panels (max. span 66") (Standard)
- 1/2" Clear Tempered Front Glass Panels (max. span 72" - for shelf or span more than 66")

### GLASS FINISHES

- Clear (Standard)
- Frosted
- Pattern
- Low Iron
- Frosted Logo/Imprint

### GLASS CORNERS

- 1" Radius Corners (Standard)
- Square Corners

## LIGHT & WARMER OPTIONS

All BSI light units are UL Listed. See light spec sheets for detailed information. Also available with other manufacturers' light units. Contact BSI for details.

Model #	Description
<input type="checkbox"/> 2580	Slimline LED Light
<input type="checkbox"/> 705	Stealth Light & Warmer

Model #	Description
<input type="checkbox"/> 490	Stealth Warmer
<input type="checkbox"/> 500	Stealth Heat-Light-Heat Combo Unit

## MOUNTING STYLES (SELECT ONE)

See installation page for more details.

**Above Counter:** Stainless Steel Counter

**Under Counter:** Stainless Steel Counter  
(Requires under-counter reinforcement and access.)

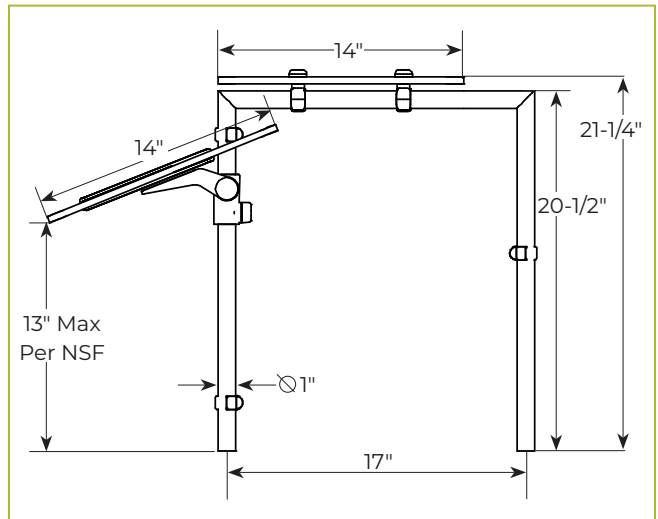
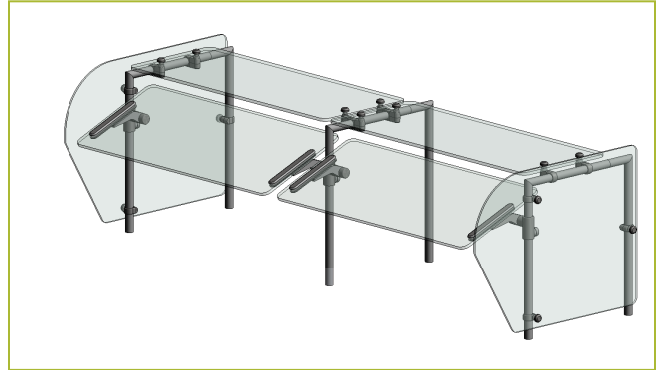
**Above Counter:** Millwork Counter

**Under Counter:** Millwork Counter  
(Compression installation not recommended for solid surface countertops.)

- EZ Mount - 2" x 8" Flange
- Heavy-Duty, Inverted Flange
- Heavy-Duty, Upright Flange
- Heavy-Duty Flange
- Heavy-Duty, Inverted Flange
- Heavy-Duty, Compression Flange
- Narrow, Inverted Flange
- Narrow, Upright Flange
- Narrow Flange
- Narrow, Inverted Flange
- Narrow, Compression Flange

## AG2930

Self Serve w/Top Shelf, U-Shaped Post



To meet NSF guidelines, end panels are included on all BSI quotations unless specifically excluded. (See end panel page for more details.)

## GENERAL INFORMATION

Project Name: \_\_\_\_\_

## STANDARD SPECIFICATIONS

- 1" Diameter Post & Bracket in Brushed Stainless Steel Finish
- 3/8" Clear Tempered Front Glass Panels (max. span 66")
- 1/4" Clear Tempered Glass End Panels
- 1" Radius Glass Corners

## OPTIONS AND ACCESSORIES

### NSF-LISTED FINISH OPTIONS

- Brushed Stainless (Standard)
- Gloss Black

### GLASS THICKNESS

- 1/4" Clear Tempered Front Glass Panels (max. span 54" - not for shelves)
- 3/8" Clear Tempered Front Glass Panels (max. span 66") (Standard)
- 1/2" Clear Tempered Front Glass Panels (max. span 72" - for shelf or span more than 66")

### GLASS FINISHES

- Clear (Standard)
- Frosted
- Pattern
- Low Iron
- Frosted Logo/Imprint

### GLASS CORNERS

- 1" Radius Corners (Standard)
- Square Corners

## LIGHT & WARMER OPTIONS

All BSI light units are UL Listed. See light spec sheets for detailed information. Also available with other manufacturers' light units. Contact BSI for details.

Model #	Description
<input type="checkbox"/> 2580	Slimline LED Light
<input type="checkbox"/> 705	Stealth Light & Warmer

Model #	Description
<input type="checkbox"/> 490	Stealth Warmer
<input type="checkbox"/> 500	Stealth Heat-Light-Heat Combo Unit

## MOUNTING STYLES (SELECT ONE)

See installation page for more details.

**Above Counter:** Stainless Steel Counter

**Under Counter:** Stainless Steel Counter  
(Requires under-counter reinforcement and access.)

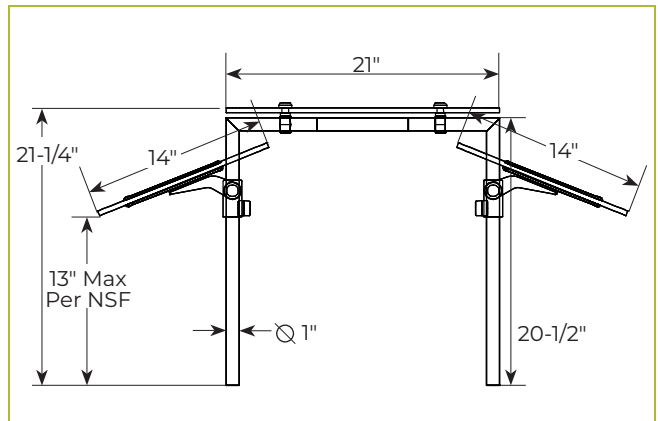
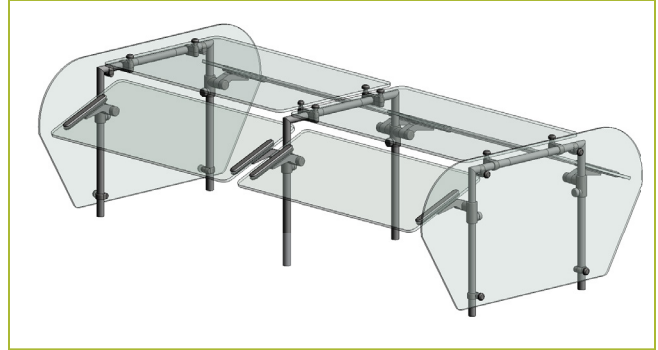
**Above Counter:** Millwork Counter

**Under Counter:** Millwork Counter  
(Compression installation not recommended for solid surface countertops.)

- EZ Mount - 2" x 8" Flange
- Heavy-Duty, Inverted Flange
- Heavy-Duty, Upright Flange
- Heavy-Duty Flange
- Heavy-Duty, Inverted Flange
- Heavy-Duty, Compression Flange
- Narrow, Inverted Flange
- Narrow, Upright Flange
- Narrow Flange
- Narrow, Inverted Flange
- Narrow, Compression Flange

## AG2930-2

### Double-Sided Self Serve w/Top Shelf



To meet NSF guidelines, end panels are included on all BSI quotations unless specifically excluded. (See end panel page for more details.)

## GENERAL INFORMATION

Project Name: \_\_\_\_\_

## STANDARD SPECIFICATIONS

- 1" Diameter Post & Bracket in Brushed Stainless Steel Finish
- 3/8" Clear Tempered Front Glass Panels (max. span 66")
- 1/4" Clear Tempered Glass End Panels
- 1" Radius Glass Corners

## OPTIONS AND ACCESSORIES

### NSF-LISTED FINISH OPTIONS

- Brushed Stainless (Standard)
- Gloss Black

### GLASS THICKNESS

- 1/4" Clear Tempered Front Glass Panels (max. span 54" - not for shelves)
- 3/8" Clear Tempered Front Glass Panels (max. span 66") (Standard)
- 1/2" Clear Tempered Front Glass Panels (max. span 72" - for shelf or span more than 66")

### GLASS FINISHES

- Clear (Standard)
- Frosted
- Pattern
- Low Iron
- Frosted Logo/Imprint

### GLASS CORNERS

- 1" Radius Corners (Standard)
- Square Corners

## LIGHT & WARMER OPTIONS

All BSI light units are UL Listed. See light spec sheets for detailed information. Also available with other manufacturers' light units. Contact BSI for details.

- | Model #                       | Description            |
|-------------------------------|------------------------|
| <input type="checkbox"/> 2580 | Slimline LED Light     |
| <input type="checkbox"/> 705  | Stealth Light & Warmer |

## MOUNTING STYLES (SELECT ONE)

See installation page for more details.

**Above Counter:** Stainless Steel Counter

**Under Counter:** Stainless Steel Counter  
(Requires under-counter reinforcement and access.)

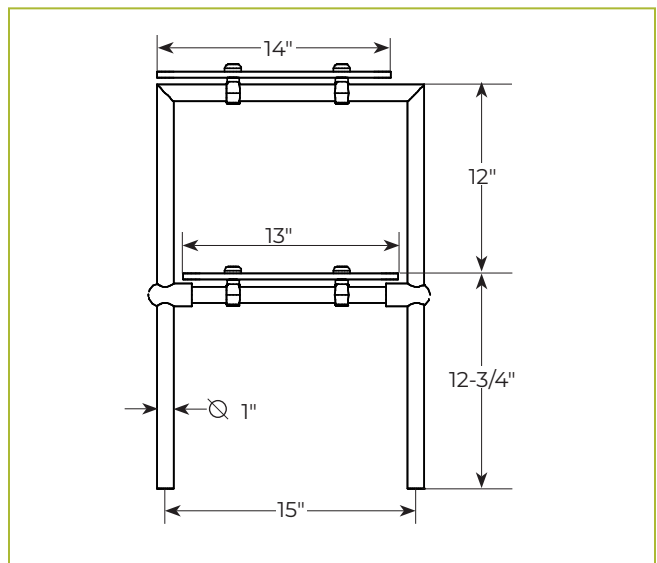
**Above Counter:** Millwork Counter

**Under Counter:** Millwork Counter  
(Compression installation not recommended for solid surface countertops.)

- EZ Mount - 2" x 8" Flange
- Heavy-Duty, Inverted Flange
- Heavy-Duty, Upright Flange
- Heavy-Duty Flange
- Heavy-Duty, Inverted Flange
- Heavy-Duty, Compression Flange
- Narrow, Inverted Flange
- Narrow, Upright Flange
- Narrow Flange
- Narrow, Inverted Flange
- Narrow, Compression Flange

## AG2930-3

### Two Tier, Open Shelf w/U-Shaped Post



To meet NSF guidelines, end panels are included on all BSI quotations unless specifically excluded. (See end panel page for more details.)

To meet NSF guidelines the upper tier will be labeled "For prepackaged food only".



## GENERAL INFORMATION

Project Name: \_\_\_\_\_

## STANDARD SPECIFICATIONS

- 1" Diameter Post & Bracket in Brushed Stainless Steel Finish
- 3/8" Clear Tempered Front Glass Panels (max. span 66")
- 1/4" Clear Tempered Glass End Panels
- 1" Radius Glass Corners

## OPTIONS AND ACCESSORIES

### NSF-LISTED FINISH OPTIONS

- Brushed Stainless (Standard)
- Gloss Black

### GLASS THICKNESS

- 1/4" Clear Tempered Front Glass Panels (max. span 54" - not for shelves)
- 3/8" Clear Tempered Front Glass Panels (max. span 66" (Standard))
- 1/2" Clear Tempered Front Glass Panels (max. span 72" - for shelf or span more than 66")

### GLASS FINISHES

- Clear (Standard)
- Low Iron
- Frosted
- Frosted Logo/Imprint
- Pattern

### GLASS CORNERS

- 1" Radius Corners (Standard)
- Square Corners

## LIGHT & WARMER OPTIONS

All BSI light units are UL Listed. See light spec sheets for detailed information. Also available with other manufacturers' light units. Contact BSI for details.

- | Model #                       | Description            |
|-------------------------------|------------------------|
| <input type="checkbox"/> 2580 | Slimline LED Light     |
| <input type="checkbox"/> 705  | Stealth Light & Warmer |

## MOUNTING STYLES (SELECT ONE)

See installation page for more details.

**Above Counter:** Stainless Steel Counter

**Under Counter:** Stainless Steel Counter  
(Requires under-counter reinforcement and access.)

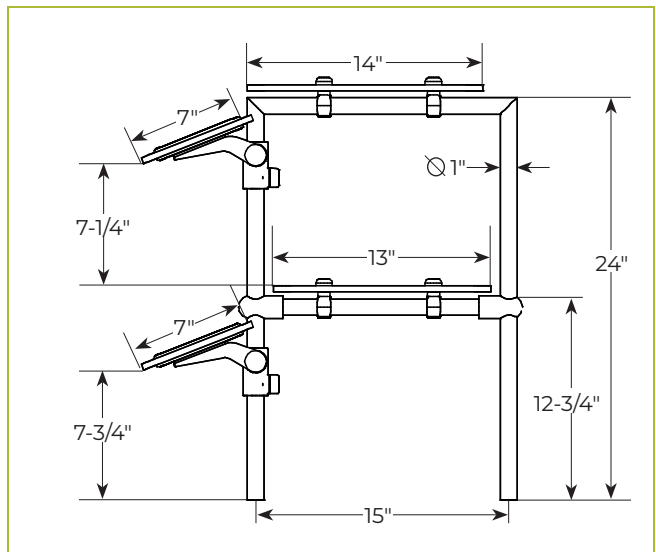
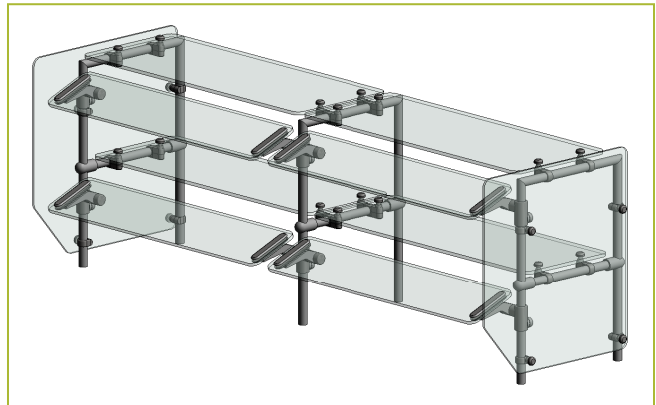
**Above Counter:** Millwork Counter

**Under Counter:** Millwork Counter  
(Compression installation not recommended for solid surface countertops.)

- EZ Mount - 2" x 8" Flange
- Heavy-Duty, Inverted Flange
- Heavy-Duty, Upright Flange
- Heavy-Duty Flange
- Heavy-Duty, Inverted Flange
- Heavy-Duty, Compression Flange
- Narrow, Inverted Flange
- Narrow, Upright Flange
- Narrow Flange
- Narrow, Inverted Flange
- Narrow, Compression Flange

## AG2930-5

### Two Tier, Open Shelf w/U-Shaped Post



To meet NSF guidelines, end panels are included on all BSI quotations unless specifically excluded. (See end panel page for more details.)

To meet NSF guidelines the upper tier will be labeled "For prepackaged food only".



## GENERAL INFORMATION

Project Name: \_\_\_\_\_

Item: \_\_\_\_\_

Quantity: \_\_\_\_\_

Model: AG2935

Length: \_\_\_\_\_

## STANDARD SPECIFICATIONS

- 1" Diameter Stainless Steel Posts
- 3/8" Clear Tempered Front Glass Panels (max. span 66")
- 3/8" Clear Tempered Glass Top Shelf (max. span 66")
- Max Center Line Post-to-Post Span = 78"
- 1/4" Clear Tempered Glass End Panels
- 1" Radius Glass Corners

## OPTIONS AND ACCESSORIES

### NSF-LISTED FINISH

- Brushed Aluminum
- Matte Black
- Gloss Black
- Other \_\_\_\_\_

### GLASS FINISHES

- Clear (Standard)
- Low-Iron
- Frosted
- Frosted Logo/Imprint
- Pattern

### GLASS CORNERS

- 1" Radius Corners (Standard)
- Square Corners

### GLASS PANEL OPTIONS

- 1/4" Glass (max. span 54")
- 3/8" Glass (max. span 66") (Standard)
- 1/2" Glass (max. span 72")

### LIGHT AND WARMER OPTIONS

Model #	Description
<input type="checkbox"/> 2580	BSI Slimline LED Light
<input type="checkbox"/> 790	BSI Stealth Heat-Only Warmer
<input type="checkbox"/> 705	BSI Stealth Heat-Light Combo
<input type="checkbox"/> 500	BSI Stealth Heat-Light-Heat Combo

All BSI light and warmer units are UL Listed. See light and warmer spec sheets for detailed information. Access is also available with other manufacturers' heat and light units. Contact BSI for details.

### MOUNTING STYLES (SELECT ONE)

See installation page for more details.

**Above Counter:** Stainless Steel Counter

**Under Counter:** Stainless Steel Counter

(Requires Under-Counter Reinforcement & Access)

**Above Counter:** Millwork Counter

**Under Counter:** Millwork Counter

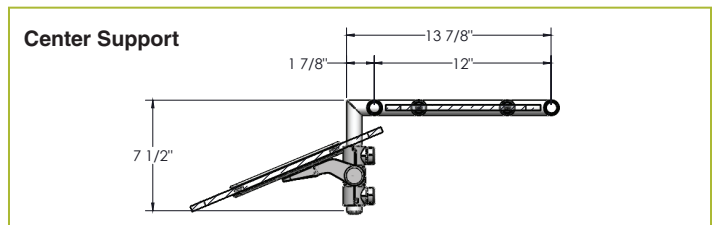
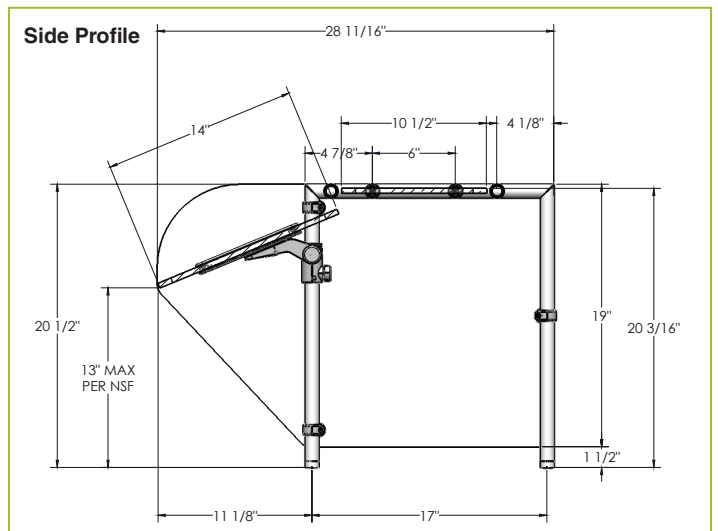
Approval Drawings Required  
Specifications subject to change without notice.

## AG2935 ClearSpan

Self Serve w/Top Shelf,  
U-Shaped End Posts w/ Shortened Center Post



To meet NSF guidelines, end panels are included on all BSI quotations unless specifically excluded. (See end panel page for more details.)



SS1: EZ Mount 2" x 8" Flange

SSU3-H: Heavy-Duty Flange

SSU5-H: Heavy-Duty Flange

MW1: Heavy-Duty Flange

MWU3: Narrow Flange

MWU4: Compression Installation  
(not recommended for solid surfaces)

SSU3-N: Narrow Flange

SSU5-N: Narrow Flange

MW2: Narrow Flange

MWU5: Heavy-Duty Flange

## GENERAL INFORMATION

Project Name: \_\_\_\_\_

## STANDARD SPECIFICATIONS

- 1" Diameter Post & Bracket in Brushed Stainless Steel Finish
- 3/8" Clear Tempered Front Glass Panels (max. span 66")
- 1/4" Clear Tempered Glass End Panels
- 1" Radius Glass Corners

## OPTIONS AND ACCESSORIES

### NSF-LISTED FINISH OPTIONS

- Brushed Stainless (Standard)
- Gloss Black

### GLASS THICKNESS

- 1/4" Clear Tempered Front Glass Panels (max. span 54" - not for shelves)
- 3/8" Clear Tempered Front Glass Panels (max. span 66") (Standard)
- 1/2" Clear Tempered Front Glass Panels (max. span 72" - for shelf or span more than 66")

*Maximum span between legs on counter is recommended at 78".*

### GLASS FINISHES

- Clear (Standard)
- Frosted
- Pattern
- Low Iron
- Frosted Logo/Imprint

### GLASS CORNERS

- 1" Radius Corners (Standard)
- Square Corners

## LIGHT & WARMER OPTIONS

*All BSI light units are UL Listed. See light spec sheets for detailed information. Also available with other manufacturers' light units. Contact BSI for details.*

Model #	Description
<input type="checkbox"/> 2580	Slimline LED Light
<input type="checkbox"/> 705	Stealth Light & Warmer

Model #	Description
<input type="checkbox"/> 490	Stealth Warmer
<input type="checkbox"/> 500	Stealth Heat-Light-Heat Combo Unit

## MOUNTING STYLES (SELECT ONE)

*See installation page for more details. Guards with lights and/or warmers require mounting at least 6" below counter depth.*

**Above Counter:** Stainless Steel Counter

**Under Counter:** Stainless Steel Counter  
*(Requires under-counter reinforcement and access.)*

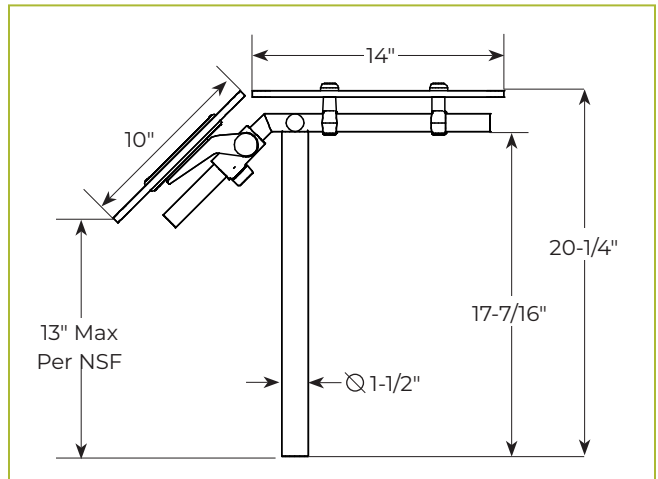
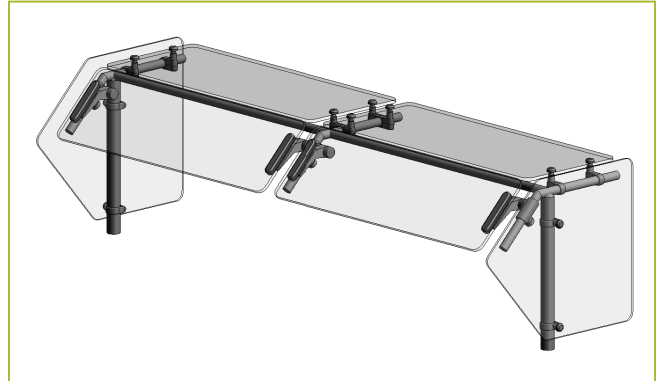
**Above Counter:** Millwork Counter

**Under Counter:** Millwork Counter  
*(Compression installation not recommended for solid surface countertops.)*

- EZ Mount - 2" x 8" Flange
- Heavy-Duty, Inverted Flange
- Heavy-Duty, Upright Flange
- Heavy-Duty Flange
- Heavy-Duty, Inverted Flange
- Heavy-Duty, Compression Flange
- Narrow, Inverted Flange
- Narrow, Upright Flange
- Narrow Flange
- Narrow, Inverted Flange
- Narrow, Compression Flange

## AG2945

### Self Serve w/ EZ-Span Center Bracket



*To meet NSF guidelines, end panels are included on all BSI quotations unless specifically excluded. (See end panel page for more details.)*

## GENERAL INFORMATION

Project Name: \_\_\_\_\_

## STANDARD SPECIFICATIONS

- 1" Diameter Post & Bracket in Brushed Stainless Steel Finish
- 3/8" Clear Tempered Front Glass Panels (max. span 66")
- 1/4" Clear Tempered Glass End Panels
- 1" Radius Glass Corners

## OPTIONS AND ACCESSORIES

### NSF-LISTED FINISH OPTIONS

- Brushed Stainless (Standard)
- Gloss Black

### GLASS THICKNESS

- 1/4" Clear Tempered Front Glass Panels (max. span 54" - not for shelves)
- 3/8" Clear Tempered Front Glass Panels (max. span 66") (Standard)
- 1/2" Clear Tempered Front Glass Panels (max. span 72" - for shelf or span more than 66")

*Maximum span between legs on counter is recommended at 78".*

### GLASS FINISHES

- Clear (Standard)
- Frosted
- Pattern
- Low Iron
- Frosted Logo/Imprint

### GLASS CORNERS

- 1" Radius Corners (Standard)
- Square Corners

## LIGHT & WARMER OPTIONS

*All BSI light units are UL Listed. See light spec sheets for detailed information. Also available with other manufacturers' light units. Contact BSI for details.*

- | Model #                       | Description            |
|-------------------------------|------------------------|
| <input type="checkbox"/> 2580 | Slimline LED Light     |
| <input type="checkbox"/> 705  | Stealth Light & Warmer |

- | Model #                      | Description                        |
|------------------------------|------------------------------------|
| <input type="checkbox"/> 490 | Stealth Warmer                     |
| <input type="checkbox"/> 500 | Stealth Heat-Light-Heat Combo Unit |

## MOUNTING STYLES (SELECT ONE)

*See installation page for more details. Guards with lights and/or warmers require mounting at least 6" below counter depth.*

**Above Counter:** Stainless Steel Counter

**Under Counter:** Stainless Steel Counter  
*(Requires under-counter reinforcement and access.)*

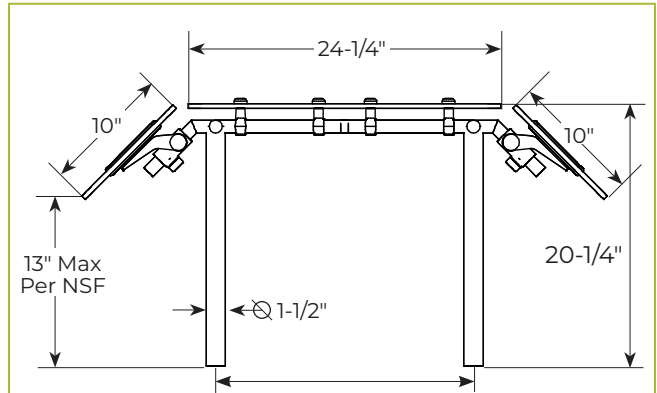
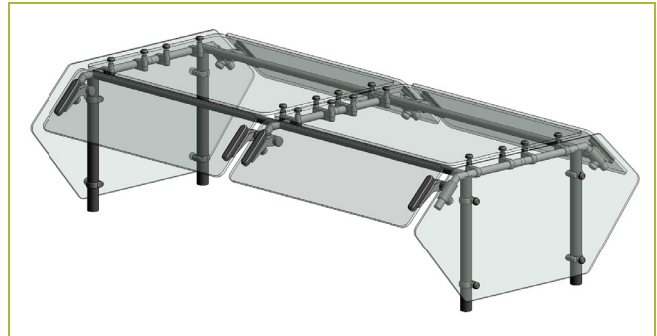
**Above Counter:** Millwork Counter

**Under Counter:** Millwork Counter  
*(Compression installation not recommended for solid surface countertops.)*

- EZ Mount - 2" x 8" Flange
- Heavy-Duty, Inverted Flange
- Heavy-Duty, Upright Flange
- Heavy-Duty Flange
- Heavy-Duty, Inverted Flange
- Heavy-Duty, Compression Flange
- Narrow, Inverted Flange
- Narrow, Upright Flange
- Narrow Flange
- Narrow, Inverted Flange
- Narrow, Compression Flange

## AG2945-3

**Self Serve, Double Sided w/ EZ-Span Center Bracket**



*To meet NSF guidelines, end panels are included on all BSI quotations unless specifically excluded. (See end panel page for more details.)*

## GENERAL INFORMATION

Project Name: \_\_\_\_\_

## STANDARD SPECIFICATIONS

- 1" Diameter Post & Bracket in Brushed Stainless Steel Finish
- 3/8" Clear Tempered Front Glass Panels (max. span 66")
- 1/4" Clear Tempered Glass End Panels
- 1" Radius Glass Corners

## OPTIONS AND ACCESSORIES

### NSF-LISTED FINISH OPTIONS

- Brushed Stainless (Standard)
- Gloss Black

### GLASS THICKNESS

- 1/4" Clear Tempered Front Glass Panels (max. span 54" - not for shelves)
- 3/8" Clear Tempered Front Glass Panels (max. span 66") (Standard)
- 1/2" Clear Tempered Front Glass Panels (max. span 72") - for shelf or span more than 66"

*Maximum span between legs on counter is recommended at 78".*

### GLASS FINISHES

- Clear (Standard)
- Frosted
- Pattern
- Low Iron
- Frosted Logo/Imprint

### GLASS CORNERS

- 1" Radius Corners (Standard)
- Square Corners

## LIGHT & WARMER OPTIONS

All BSI light units are UL Listed. See light spec sheets for detailed information. Also available with other manufacturers' light units. Contact BSI for details.

- | Model #                       | Description            |
|-------------------------------|------------------------|
| <input type="checkbox"/> 2580 | Slimline LED Light     |
| <input type="checkbox"/> 705  | Stealth Light & Warmer |

- | Model #                      | Description                        |
|------------------------------|------------------------------------|
| <input type="checkbox"/> 490 | Stealth Warmer                     |
| <input type="checkbox"/> 500 | Stealth Heat-Light-Heat Combo Unit |

## MOUNTING STYLES (SELECT ONE)

See installation page for more details. Guards with lights and/or warmers require mounting at least 6" below counter depth.

**Above Counter:** Stainless Steel Counter

**Under Counter:** Stainless Steel Counter  
*(Requires under-counter reinforcement and access.)*

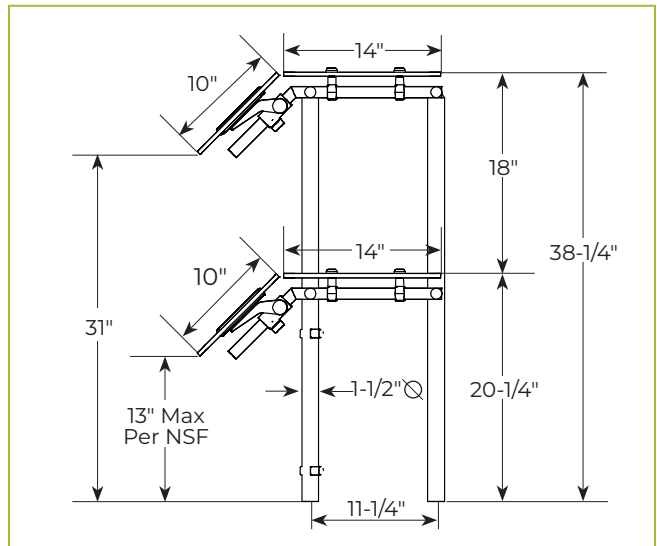
**Above Counter:** Millwork Counter

**Under Counter:** Millwork Counter  
*(Compression installation not recommended for solid surface countertops.)*

- |   |   |
|---|---|
| <input type="checkbox"/> EZ Mount - 2" x 8" Flange      | <input type="checkbox"/> Narrow, Inverted Flange    |
| <input type="checkbox"/> Heavy-Duty, Inverted Flange    | <input type="checkbox"/> Narrow, Upright Flange     |
| <input type="checkbox"/> Heavy-Duty, Upright Flange     |   |
| <input type="checkbox"/> Heavy-Duty Flange              | <input type="checkbox"/> Narrow Flange              |
| <input type="checkbox"/> Heavy-Duty, Inverted Flange    | <input type="checkbox"/> Narrow, Inverted Flange    |
| <input type="checkbox"/> Heavy-Duty, Compression Flange | <input type="checkbox"/> Narrow, Compression Flange |

## AG2945-4

Self Serve, Two Tier w/ EZ-Span Center Bracket



To meet NSF guidelines, end panels are included on all BSI quotations unless specifically excluded. (See end panel page for more details.)

## GENERAL INFORMATION

Project Name: \_\_\_\_\_

## STANDARD SPECIFICATIONS

- 1" Diameter Post & Bracket in Brushed Stainless Steel Finish
- 3/8" Clear Tempered Front Glass Panels (max. span 66")
- 1/4" Clear Tempered Glass End Panels
- 1" Radius Glass Corners

## OPTIONS AND ACCESSORIES

### NSF-LISTED FINISH OPTIONS

- Brushed Stainless (Standard)
- Gloss Black

### GLASS THICKNESS

- 1/4" Clear Tempered Front Glass Panels (max. span 54" - not for shelves)
- 3/8" Clear Tempered Front Glass Panels (max. span 66") (Standard)
- 1/2" Clear Tempered Front Glass Panels (max. span 72" - for shelf or span more than 66")

*Maximum span between legs on counter is recommended at 78".*

### GLASS FINISHES

- Clear (Standard)
- Frosted
- Pattern
- Low Iron
- Frosted Logo/Imprint

### GLASS CORNERS

- 1" Radius Corners (Standard)
- Square Corners

## LIGHT & WARMER OPTIONS

*All BSI light units are UL Listed. See light spec sheets for detailed information. Also available with other manufacturers' light units. Contact BSI for details.*

- | Model #                       | Description            |
|-------------------------------|------------------------|
| <input type="checkbox"/> 2580 | Slimline LED Light     |
| <input type="checkbox"/> 705  | Stealth Light & Warmer |

## MOUNTING STYLES (SELECT ONE)

*See installation page for more details. Guards with lights and/or warmers require mounting at least 6" below counter depth.*

**Above Counter:** Stainless Steel Counter

**Under Counter:** Stainless Steel Counter  
*(Requires under-counter reinforcement and access.)*

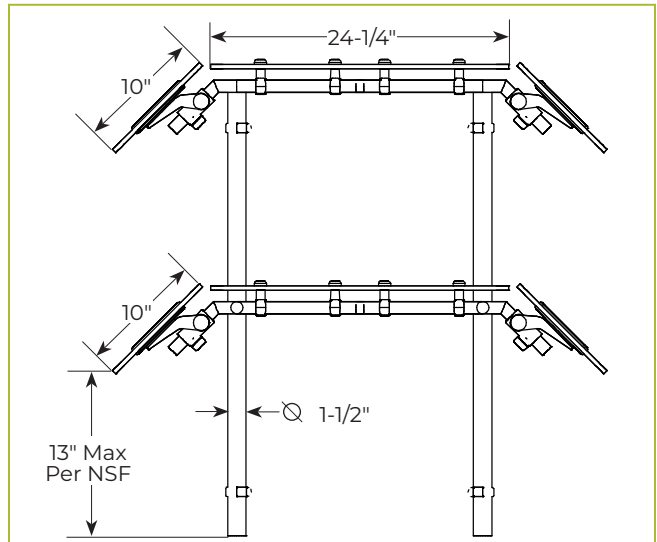
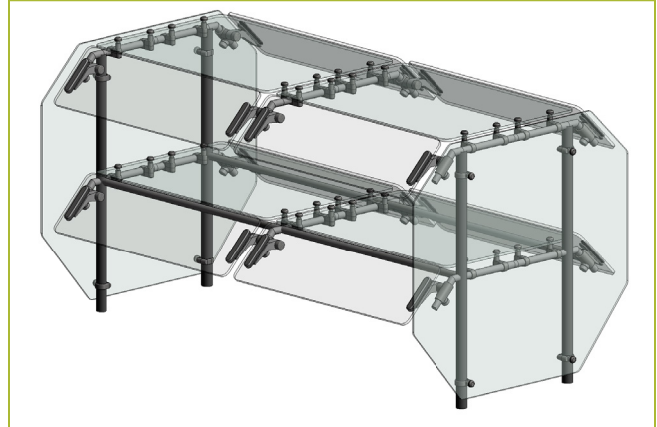
**Above Counter:** Millwork Counter

**Under Counter:** Millwork Counter  
*(Compression installation not recommended for solid surface countertops.)*

- |   |   |
|---|---|
| <input type="checkbox"/> EZ Mount - 2" x 8" Flange      | <input type="checkbox"/> Narrow, Inverted Flange    |
| <input type="checkbox"/> Heavy-Duty, Inverted Flange    | <input type="checkbox"/> Narrow, Upright Flange     |
| <input type="checkbox"/> Heavy-Duty, Upright Flange     | <input type="checkbox"/> Narrow Flange              |
| <input type="checkbox"/> Heavy-Duty Flange              | <input type="checkbox"/> Narrow, Inverted Flange    |
| <input type="checkbox"/> Heavy-Duty, Inverted Flange    | <input type="checkbox"/> Narrow, Compression Flange |
| <input type="checkbox"/> Heavy-Duty, Compression Flange |   |

## AG2945-5

**Self Serve, Double Sided, Two Tier w/ EZ-Span Center Bracket**



*To meet NSF guidelines, end panels are included on all BSI quotations unless specifically excluded. (See end panel page for more details.)*

## GENERAL INFORMATION

Project Name: \_\_\_\_\_

## STANDARD SPECIFICATIONS

- 1" Diameter Post & Bracket in Brushed Stainless Steel Finish
- 3/8" Clear Tempered Front Glass Panels (max. span 66")
- 1/4" Clear Tempered Glass End Panels
- 1" Radius Glass Corners

## OPTIONS AND ACCESSORIES

### NSF-LISTED FINISH OPTIONS

- Brushed Stainless (Standard)
- Gloss Black

### GLASS THICKNESS

- 1/4" Clear Tempered Front Glass Panels (max. span 54" - not for shelves)
- 3/8" Clear Tempered Front Glass Panels (max. span 66") (Standard)
- 1/2" Clear Tempered Front Glass Panels (max. span 72") - for shelf or span more than 66"

### GLASS FINISHES

- Clear (Standard)
- Frosted
- Pattern
- Low Iron
- Frosted Logo/Imprint

### GLASS CORNERS

- 1" Radius Corners (Standard)
- Square Corners

## LIGHT OPTIONS

- | Model #                       | Description            |
|-------------------------------|------------------------|
| <input type="checkbox"/> 2580 | BSI Slimline LED Light |

Contact BSI for warmer information.

All BSI light units are UL Listed. See light spec sheets for detailed information. Also available with other manufacturers' light units. Contact BSI for details.

## MOUNTING STYLES (SELECT ONE)

See installation page for more details.

**Above Counter:** Stainless Steel Counter

**Under Counter:** Stainless Steel Counter  
(Requires under-counter reinforcement and access.)

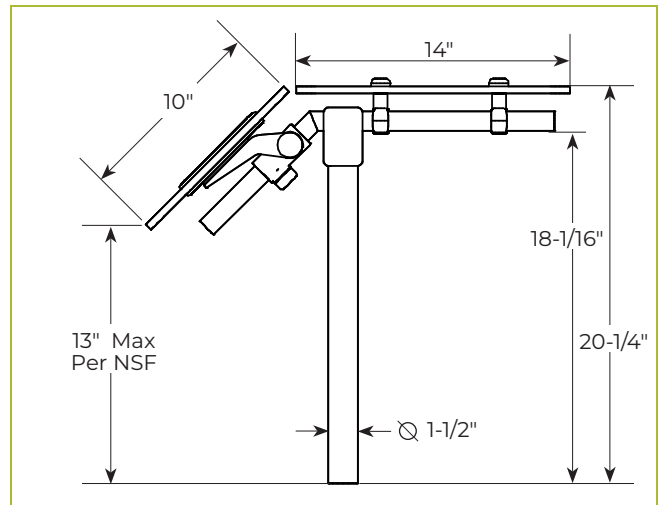
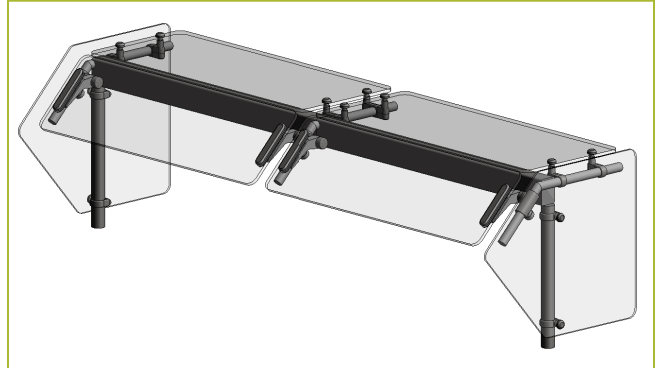
**Above Counter:** Millwork Counter

**Under Counter:** Millwork Counter  
(Compression installation not recommended for solid surface countertops.)

- EZ Mount - 2" x 8" Flange
- Heavy-Duty, Inverted Flange
- Heavy-Duty, Upright Flange
- Heavy-Duty Flange
- Heavy-Duty, Inverted Flange
- Heavy-Duty, Compression Flange
- Narrow, Inverted Flange
- Narrow, Upright Flange
- Narrow Flange
- Narrow, Inverted Flange
- Narrow, Compression Flange

## AG2950

**Self Serve, Reinforced Span w/EZ Span Center Bracket**



To meet NSF guidelines, end panels are included on all BSI quotations unless specifically excluded. (See end panel page for more details.)

## GENERAL INFORMATION

Project Name: \_\_\_\_\_

## STANDARD SPECIFICATIONS

- 1" Diameter Post & Bracket in Brushed Stainless Steel Finish
- 3/8" Clear Tempered Front Glass Panels (max. span 66")
- 1/4" Clear Tempered Glass End Panels
- 1" Radius Glass Corners

## OPTIONS AND ACCESSORIES

### NSF-LISTED FINISH OPTIONS

- Brushed Stainless (Standard)
- Gloss Black

### GLASS THICKNESS

- 1/4" Clear Tempered Front Glass Panels (max. span 54" - not for shelves)
- 3/8" Clear Tempered Front Glass Panels (max. span 66") (Standard)
- 1/2" Clear Tempered Front Glass Panels (max. span 72") - for shelf or span more than 66"

*Maximum span between legs on counter is recommended at 78".*

### GLASS FINISHES

- Clear (Standard)
- Frosted
- Pattern
- Low Iron
- Frosted Logo/Imprint

### GLASS CORNERS

- 1" Radius Corners (Standard)
- Square Corners

## LIGHT & WARMER OPTIONS

*All BSI light units are UL Listed. See light spec sheets for detailed information. Also available with other manufacturers' light units. Contact BSI for details.*

Model #	Description	Model #	Description
<input type="checkbox"/> 2580	Slimline LED Light	<input type="checkbox"/> 490	Stealth Warmer
<input type="checkbox"/> 705	Stealth Light & Warmer	<input type="checkbox"/> 500	Stealth Heat-Light-Heat Combo Unit

## MOUNTING STYLES (SELECT ONE)

*See installation page for more details. Guards with lights and/or warmers require mounting at least 6" below counter depth.*

**Above Counter:** Stainless Steel Counter

**Under Counter:** Stainless Steel Counter  
*(Requires under-counter reinforcement and access.)*

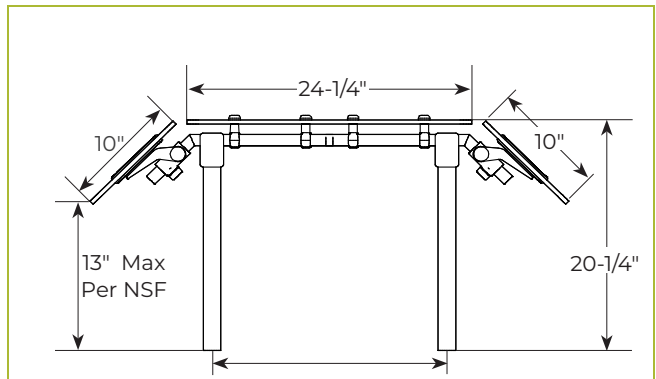
**Above Counter:** Millwork Counter

**Under Counter:** Millwork Counter  
*(Compression installation not recommended for solid surface countertops.)*

- EZ Mount - 2" x 8" Flange
- Heavy-Duty, Inverted Flange
- Heavy-Duty, Upright Flange
- Heavy-Duty Flange
- Heavy-Duty, Inverted Flange
- Heavy-Duty, Compression Flange
- Narrow, Inverted Flange
- Narrow, Upright Flange
- Narrow Flange
- Narrow, Inverted Flange
- Narrow, Compression Flange

## AG2950-2

**Self Serve, Double Sided, Reinforced Span w/EZ Span Center Bracket**



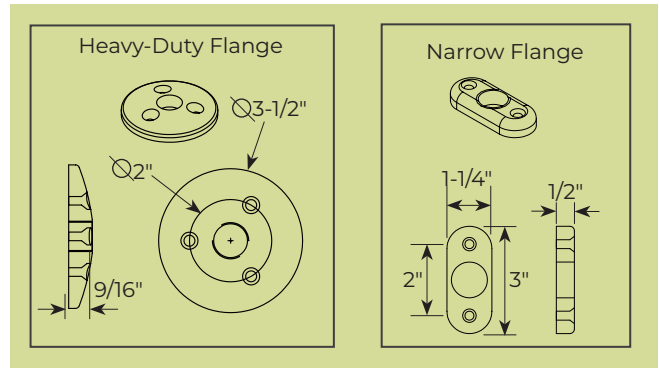
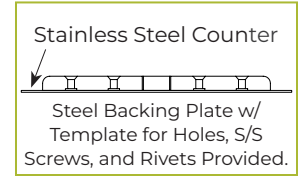
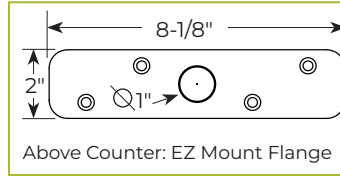
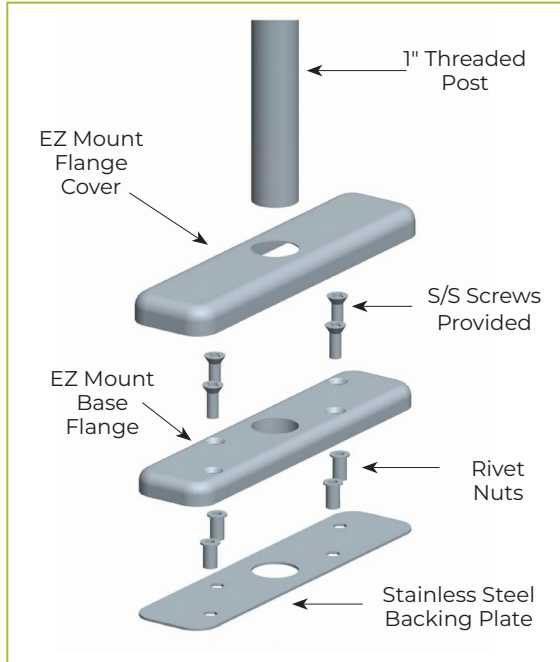
*To meet NSF guidelines, end panels are included on all BSI quotations unless specifically excluded. (See end panel page for more details.)*



## ABOVE-COUNTER INSTALLATION FOR 1" ADVANCEGUARD POSTS

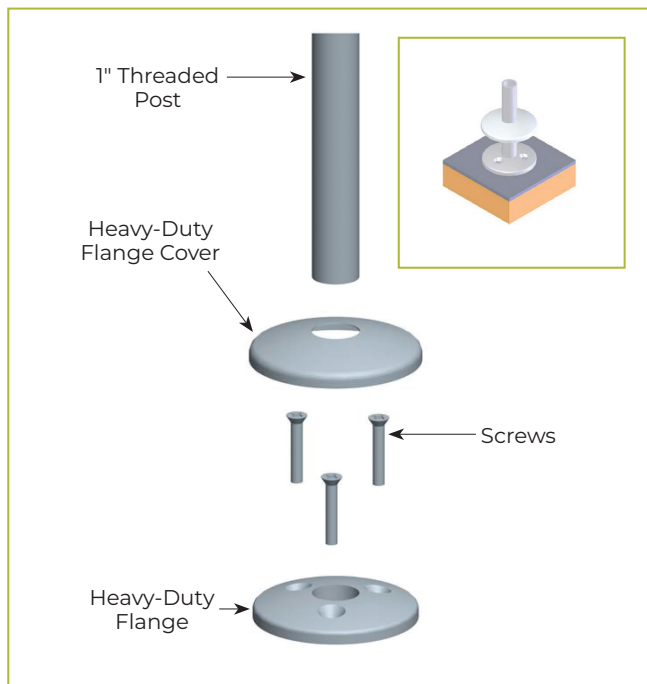
### STAINLESS STEEL COUNTERS

#### EZ Mount - 2" x 8" Flange

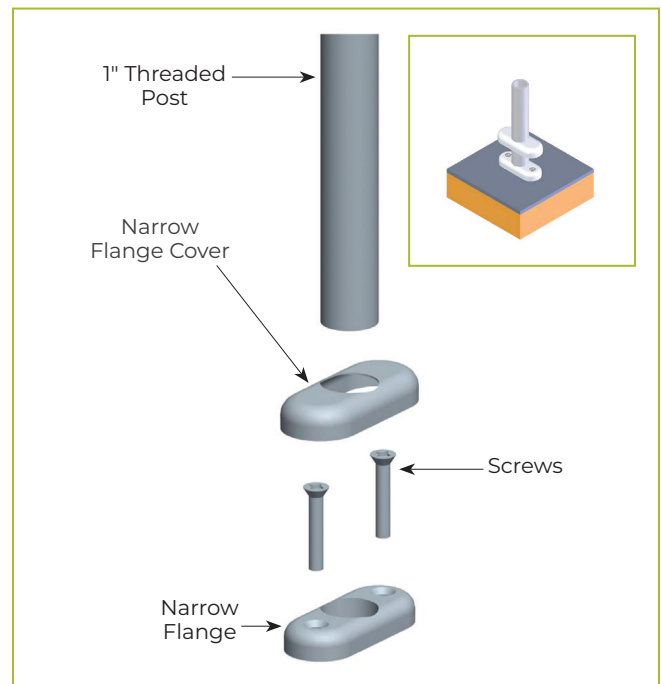


### MILLWORK COUNTERS

#### Heavy-Duty Flange



#### Narrow Flange



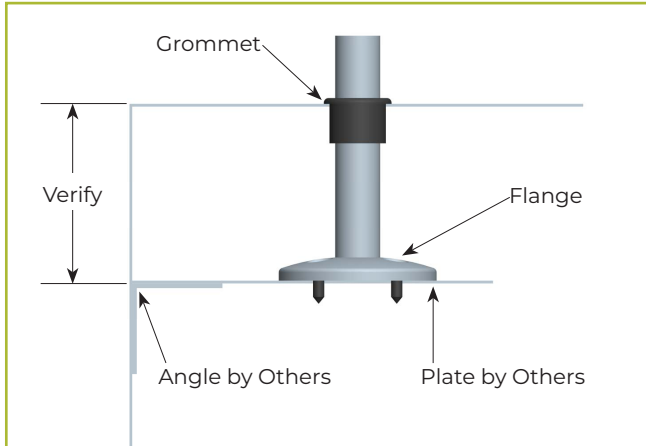


## UNDER-COUNTER INSTALLATION FOR 1" ADVANCEGUARD POSTS

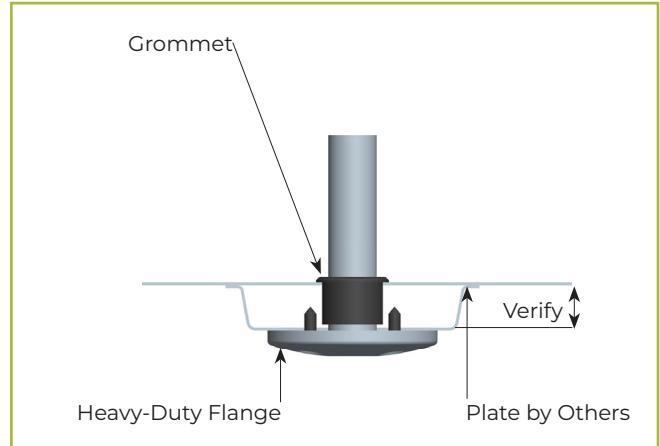
### STAINLESS STEEL COUNTERS

*(requires under-counter reinforcement and access)*

#### Heavy-Duty Upright Flange or Narrow Upright Flange



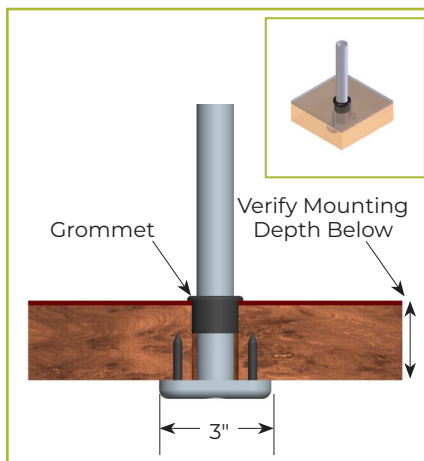
#### Heavy-Duty Inverted Flange or Narrow Inverted Flange



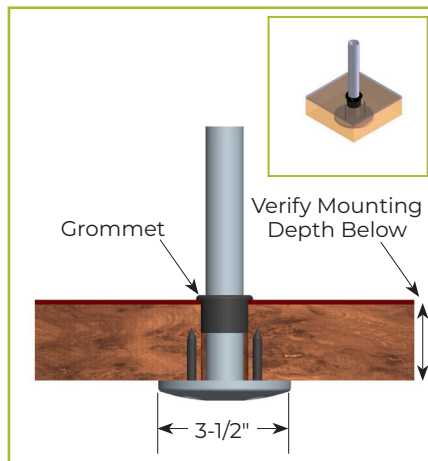
Verify counter thickness or under-counter installation depth in inches.

### MILLWORK COUNTERS

#### Narrow Flange

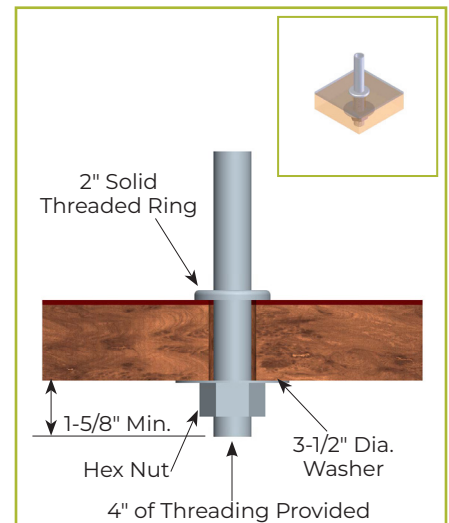


#### Heavy-Duty Flange



#### Compression Flange

*(not recommended for solid surfaces)*

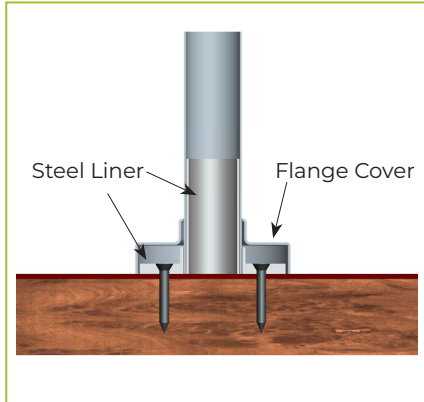


Verify counter thickness or under-counter installation depth in inches.

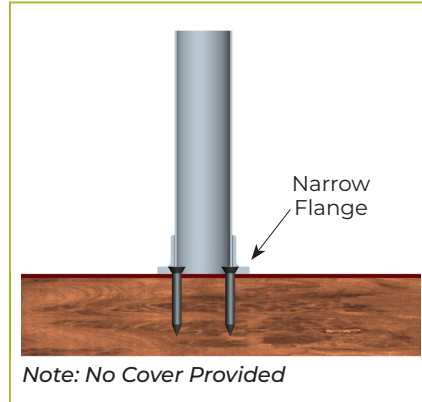
## ABOVE-COUNTER INSTALLATION FOR 1-1/2" ADVANCEGUARD POSTS

### MILLWORK COUNTERS

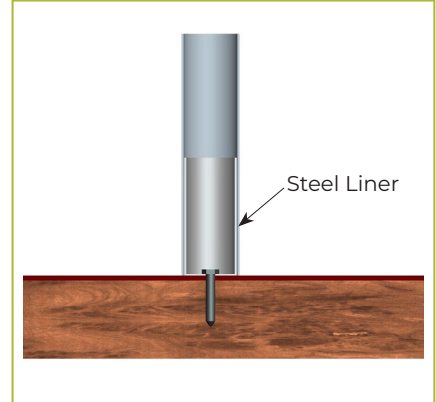
**Heavy-Duty Flange w/Flange Cover**



**Narrow Flange**



**Concealed Mount**  
(not for cantilever units)

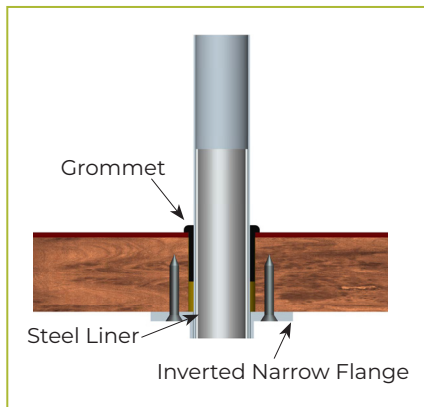


## UNDER-COUNTER INSTALLATION FOR 1-1/2" ADVANCEGUARD POSTS

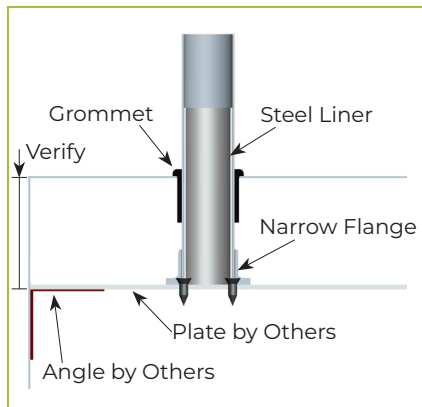
(requires under-counter reinforcement and access)

### MILLWORK COUNTERS

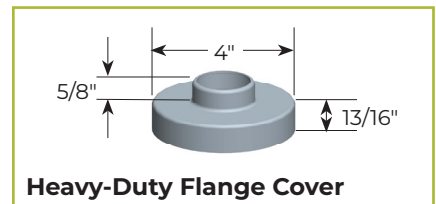
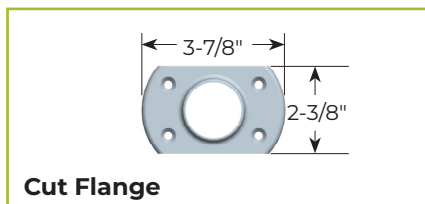
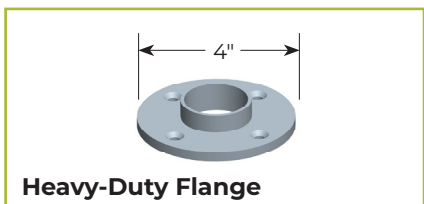
**Inverted Flange w/Grommet**



**Under Counter Inverted Flange w/Cover**

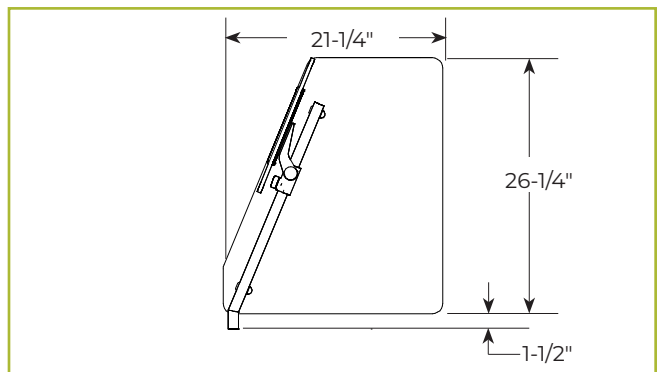
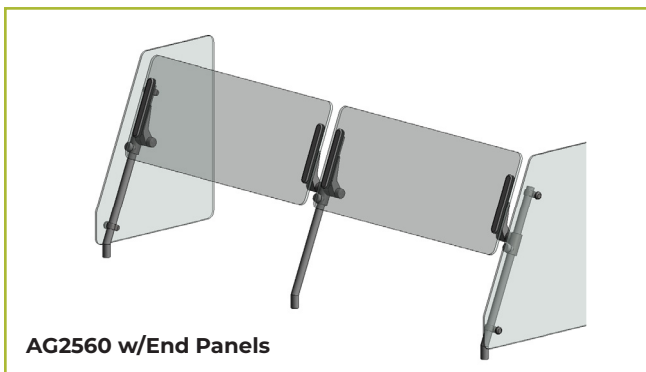
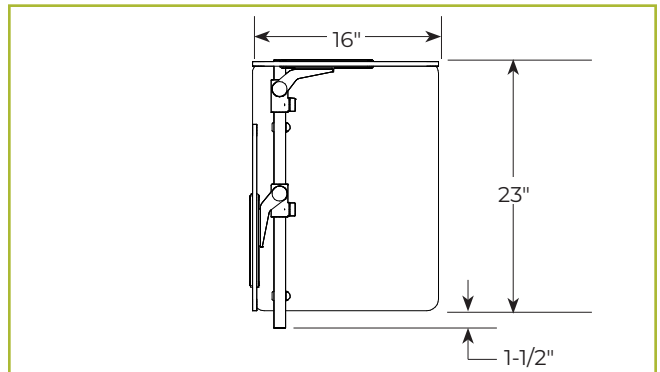
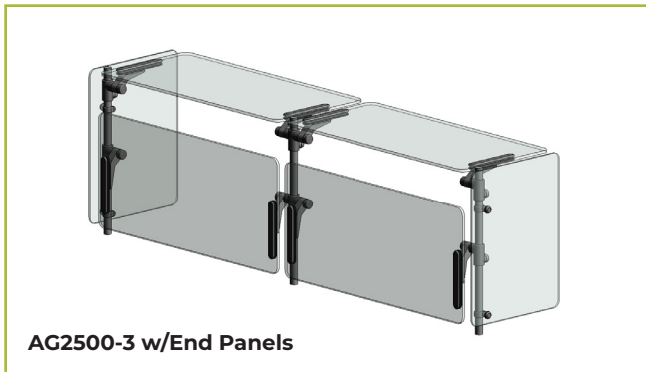
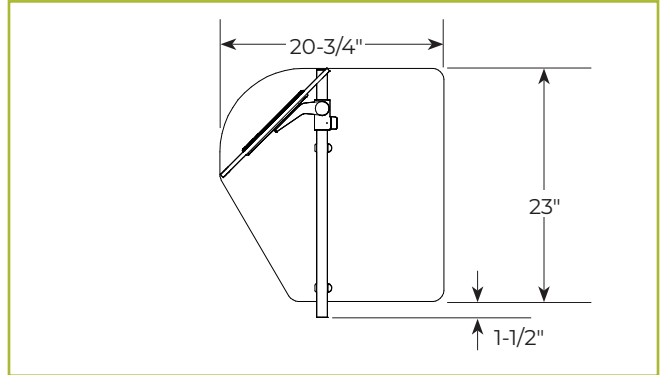
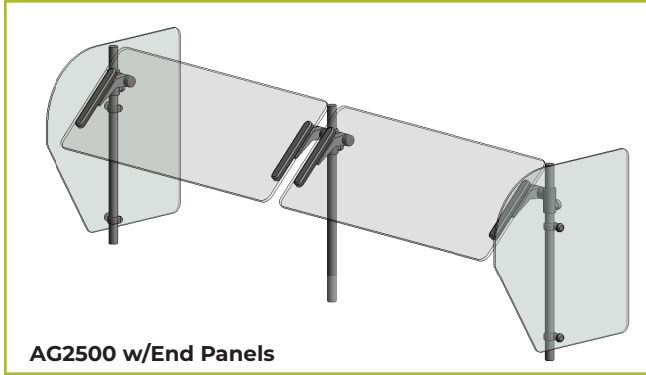


## FLANGE AND FLANGE COVER DIMENSIONS



## END PANELS

To meet NSF guidelines, end panels are included on all BSI quotations unless specifically excluded. The following section shows size and location of glass end panels for select AdvanceGuard models. For end panel information relating to additional models, contact BSI.



**END PANELS**

To meet NSF guidelines, end panels are included on all BSI quotations unless specifically excluded. The following section shows size and location of glass end panels for select AdvanceGuard models. For end panel information relating to additional models, contact BSI.

