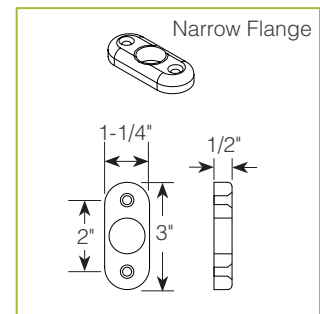
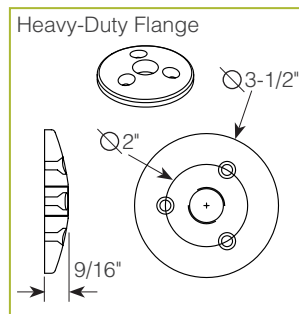
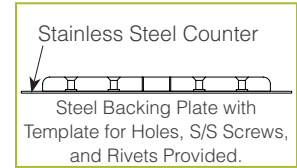
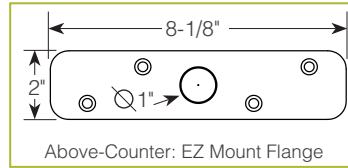
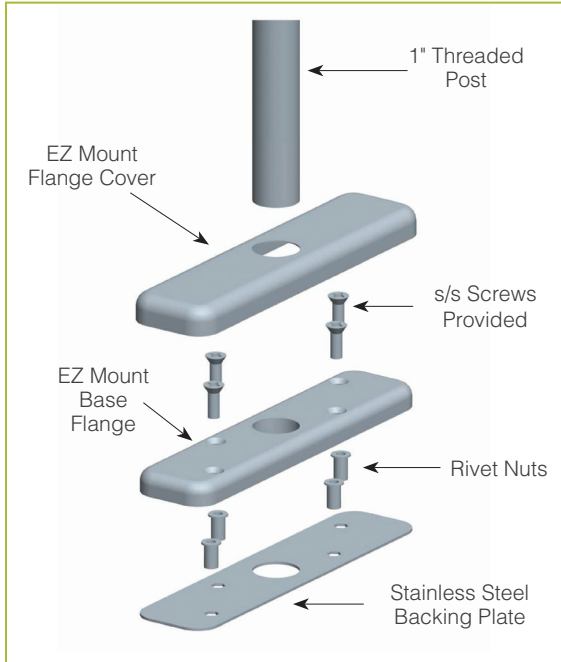
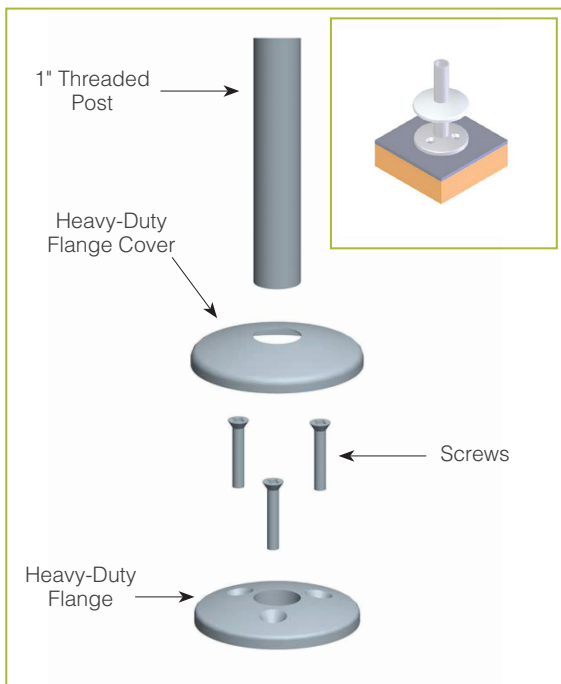


ABOVE-COUNTER INSTALLATION FOR 1" ADVANCEGUARD POSTS

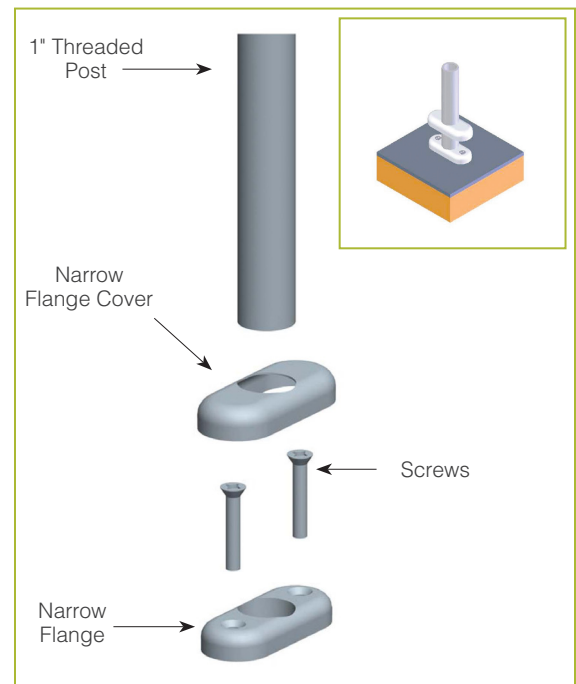
For Stainless Steel Counter
SS1: EZ Mount 2" x 8" Flange



For Millwork Counter
MW1: Heavy-Duty Flange

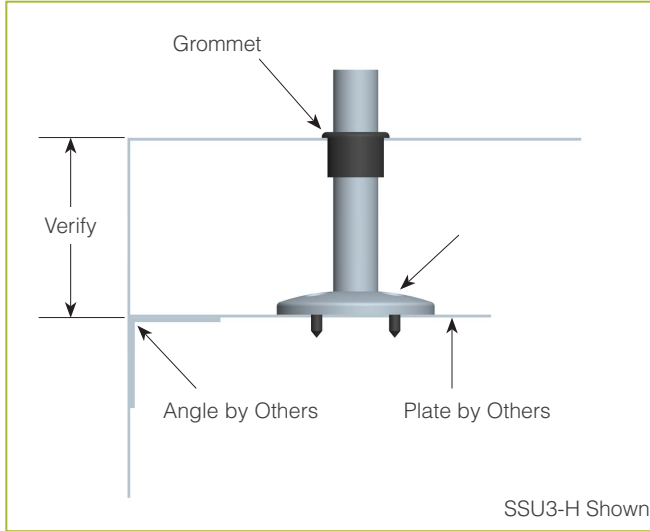


For Millwork Counter
MW2: Narrow Flange

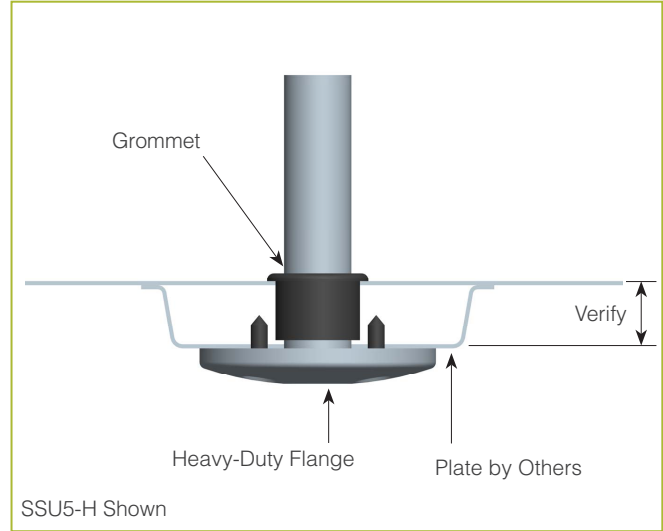


UNDER-COUNTER INSTALLATION FOR 1" ADVANCEGUARD POSTS

For Stainless Steel Counter
 (requires under-counter reinforcement and access)
SSU3: Heavy-Duty Flange (-H) or Narrow Flange (-N)

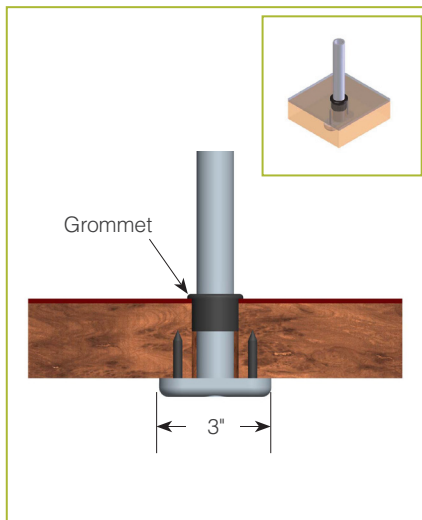


For Stainless Steel Counter
 (requires under-counter reinforcement and access)
SSU5: Heavy-Duty Flange (-H) or Narrow Flange (-N)

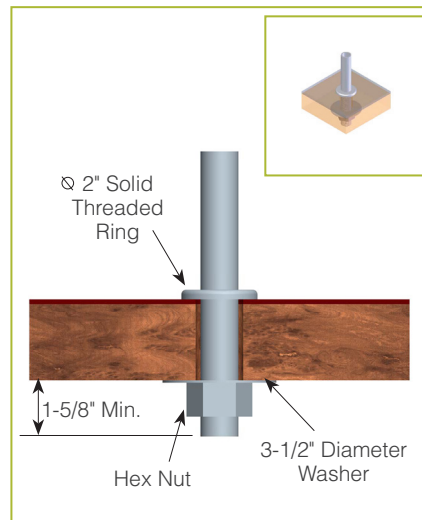


Verify Counter Thickness or Under-Counter Installation Depth in Inches

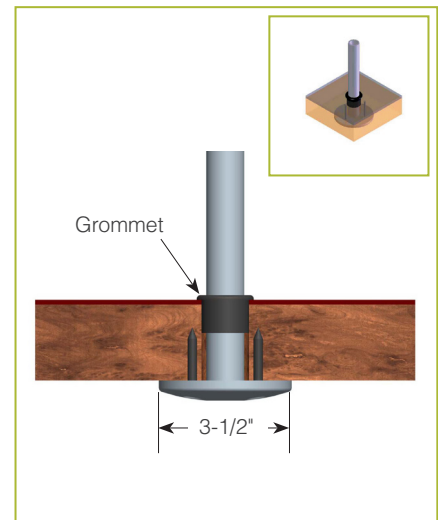
For Millwork Counter
MWU3: Narrow Flange



For Millwork Counter
MWU4: Compression Installation
 (not recommended for solid surfaces)



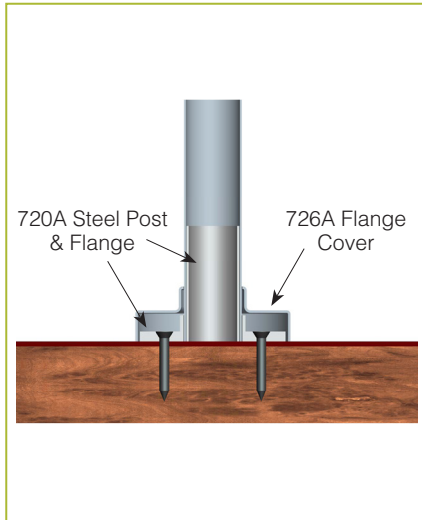
For Millwork Counter
MWU5: Heavy-Duty Flange



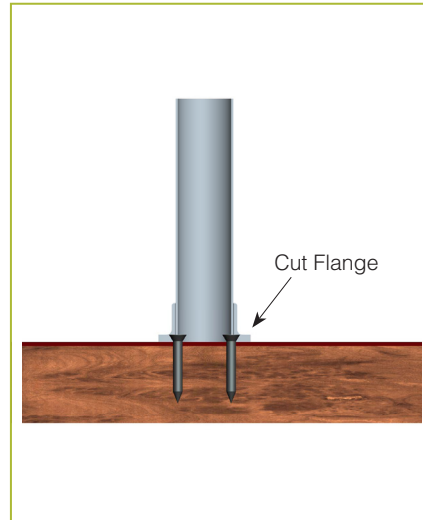
Verify Counter Thickness or Under-Counter Installation Depth in Inches

➤ ABOVE-COUNTER INSTALLATION FOR 1-1/2" ADVANCEGUARD POSTS

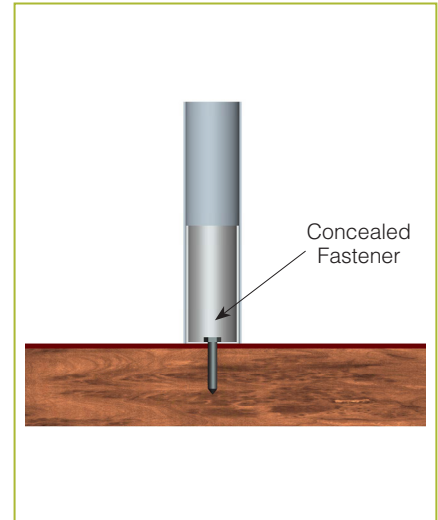
For Millwork Counter
Surface Installation 720A/726A:
Steel Post and Flange w/Flange Cover



For Millwork Counter
Surface Installation 725A:
Cut Flange

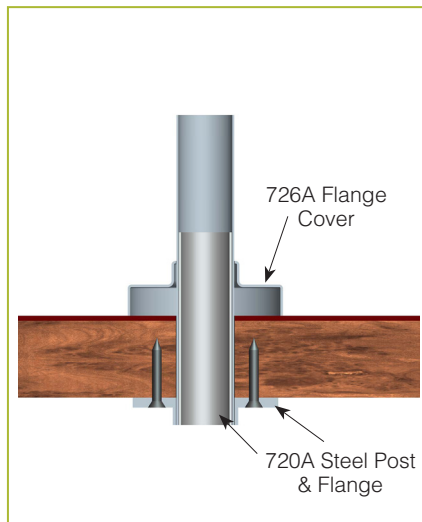


For Millwork Counter
Concealed Fastener
(not for cantilever units)

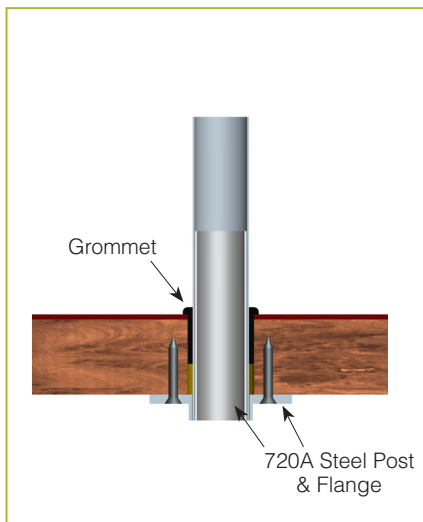


➤ UNDER-COUNTER INSTALLATION FOR 1-1/2" ADVANCEGUARD POSTS (requires under-counter reinforcement and access)

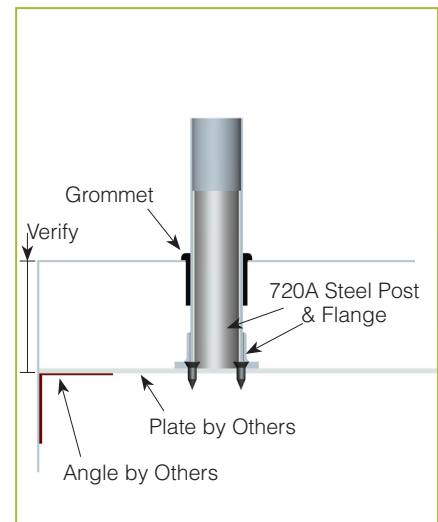
Under-Counter Installation 720A/726A:
Steel Post and Flange w/Flange Cover



Under-Counter Installation 720A:
Steel Post and Flange w/out Flange Cover



Under-Counter Installation 725A:
Narrow Custom Flange



➤ FLANGE AND FLANGE COVER DIMENSIONS

