

## GENERAL INFORMATION

Project Name: \_\_\_\_\_

## STANDARD FINISH

Brushed Aluminum

## GLASS THICKNESS

1/4" Tempered Glass (not for shelves)  
Centerline Max 54"

3/8" Tempered Glass (for shelf or span more than 54")  
Centerline Max 66"

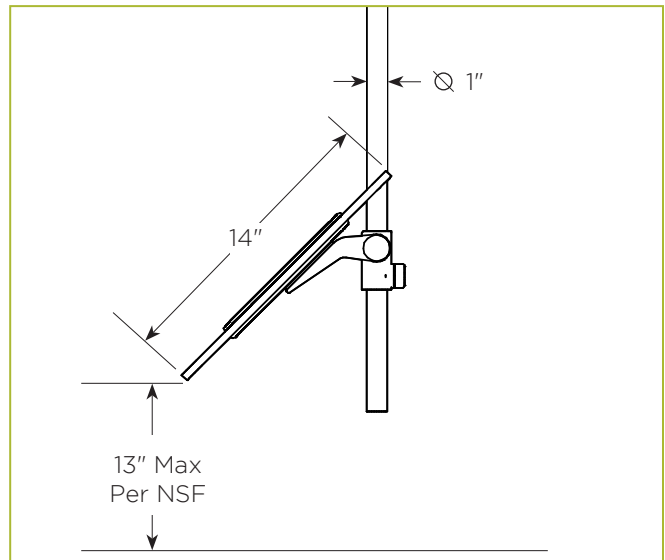
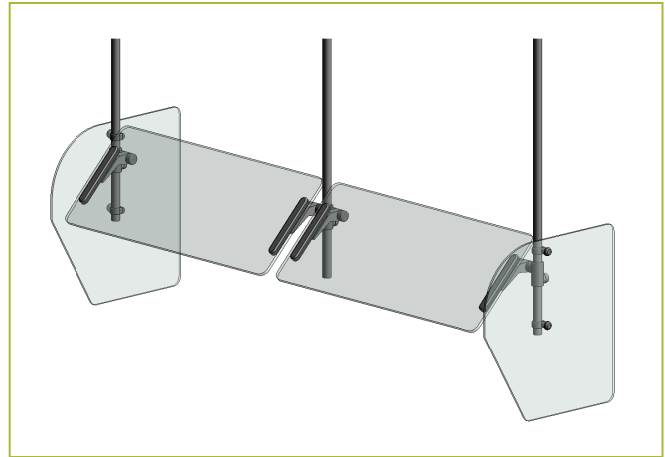
1/2" Tempered Glass (for shelf or span more than 66")  
Centerline Max 72"

## GLASS CORNERS

1" Radius Corner (standard)

Square Corners

## AG2500-5 Ceiling Mount



To meet NSF guidelines, end panels are included on all BSI quotations unless specifically excluded. (See end panel page for more details.)

## INSTALLATION OPTIONS

(See Installation Page for more details.)

Above-Counter: Millwork Counter

MW1: Heavy-Duty Flange (3-1/2" Dia.)

Contact factory for optional installation methods.

Approval Drawings Required

Specifications subject to change without notice.

U.S. patent information is on file at BSI, LLC and available upon request.



08.21