

GENERAL INFORMATION

Project Name: _____

STANDARD FINISH

Brushed Aluminum

GLASS THICKNESS

1/4" Tempered Glass (not for shelves)
Centerline Max 54"

3/8" Tempered Glass (for shelf or span more than 54")
Centerline Max 66"

1/2" Tempered Glass (for shelf or span more than 66")
Centerline Max 72"

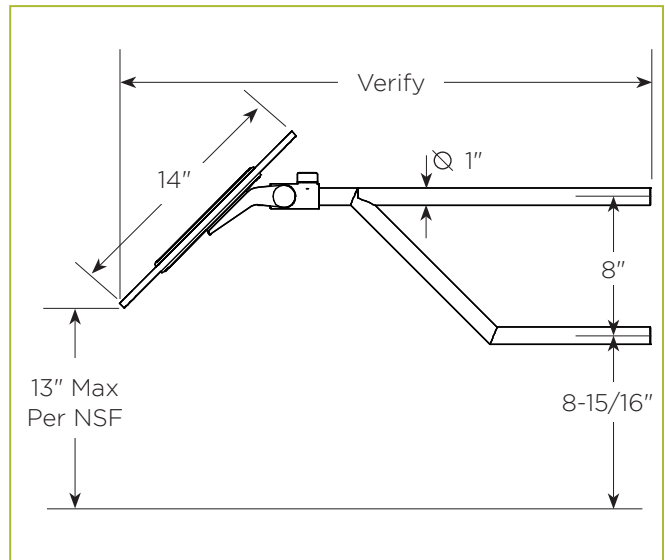
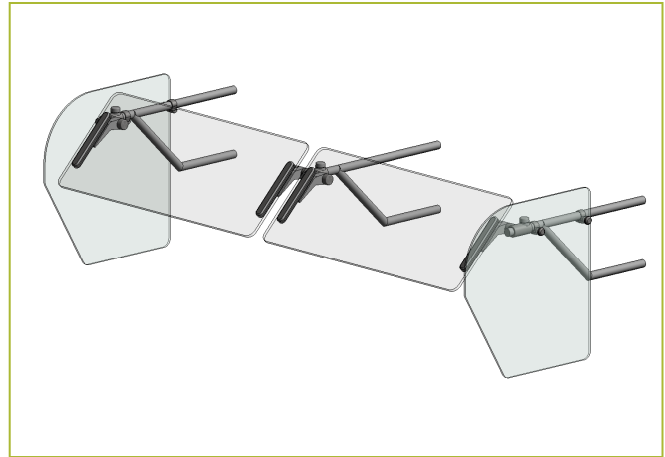
GLASS CORNERS

1" Radius Corner (standard)

Square Corners

AG2500-6

Wall Mount



To meet NSF guidelines, end panels are included on all BSI quotations unless specifically excluded. (See end panel page for more details.)

INSTALLATION OPTIONS

(See Installation Page for more details.)

Above-Counter: Millwork Counter

MW1: Heavy-Duty Flange (3-1/2" Dia.)

Contact factory for optional installation methods.

Approval Drawings Required

Specifications subject to change without notice.

U.S. patent information is on file at BSI, LLC and available upon request.



08.21