

GENERAL INFORMATION

Project Name: _____

STANDARD FINISH

Brushed Aluminum

GLASS THICKNESS

1/4" Tempered Glass (not for shelves)
Centerline Max 54"

3/8" Tempered Glass (for shelf or span more than 54")
Centerline Max 66"

1/2" Tempered Glass (for shelf or span more than 66")
Centerline Max 72"

GLASS CORNERS

1" Radius Corner (standard)

Square Corners

LIGHT AND WARMER OPTIONS

LED Light Unit

Linear T-5 Fluorescent Unit

BSI Stealth™ Linear Heat Only Unit

BSI Stealth™ Linear Heat and Light Combo Unit
(Fluorescent)

BSI Stealth™ Linear Heat and Light Combo Unit (LED)

BSI Stealth™ Linear Double Heat and Light Combo Unit
(Fluorescent)

BSI Stealth™ Linear Double Heat and Light Combo Unit
(LED)

Hatco® Brand Heat Only Unit

Hatco® Brand Heat and Light Combo Unit

INSTALLATION OPTIONS

(See Installation Page for more details.)

Above-Counter: Stainless Steel Counter
SS1: EZ Mount 2" x 8" Flange

Under-Counter: Stainless Steel Counter*
SSU3-H: Heavy-Duty Flange (3-1/2" Dia.)

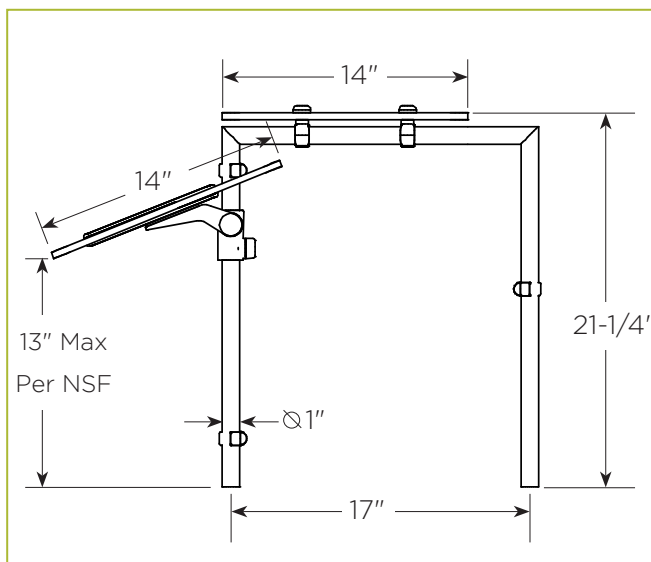
SSU3-N: Narrow Flange (1-1/4"x3")

SSU5-H: Heavy-Duty Flange (3-1/2" Dia.)

SSU5-N: Narrow Flange (1-1/4"x3")

* Requires Under-Counter Reinforcement and Access.

AG2930 Single-Sided w/Top Shelf



To meet NSF guidelines, end panels are included on all BSI quotations unless specifically excluded. (See end panel page for more details.)

Above-Counter: Millwork Counter
MW1: Heavy-Duty Flange (3-1/2" Dia.)
MW2: Narrow Flange (1-1/4"x3")

Under-Counter: Millwork Counter
MWU4: Compression Installation
(not recommended for solid surfaces)
MWU5: Heavy-Duty Flange (3-1/2" Dia.)

Approval Drawings Required

Specifications subject to change without notice.

U.S. patent information is on file at BSI, LLC and available upon request.