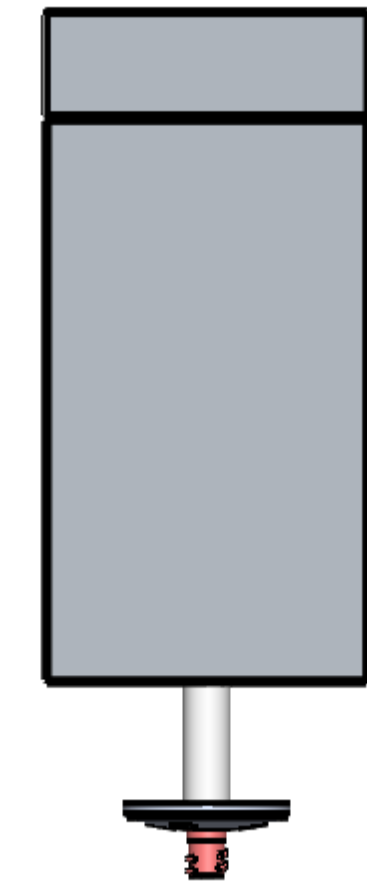
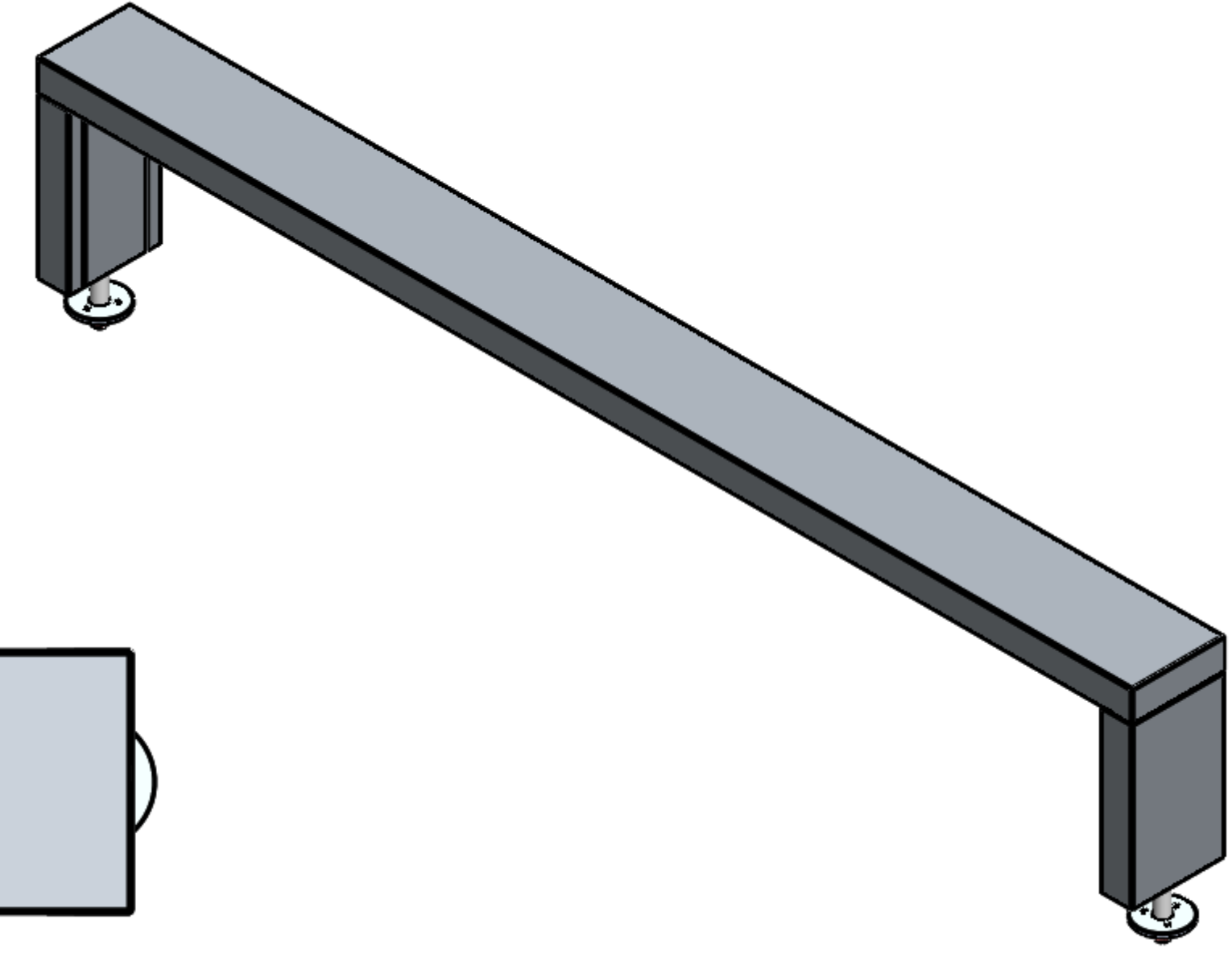


FOR APPROVAL

CUSTOMER ITEM #:

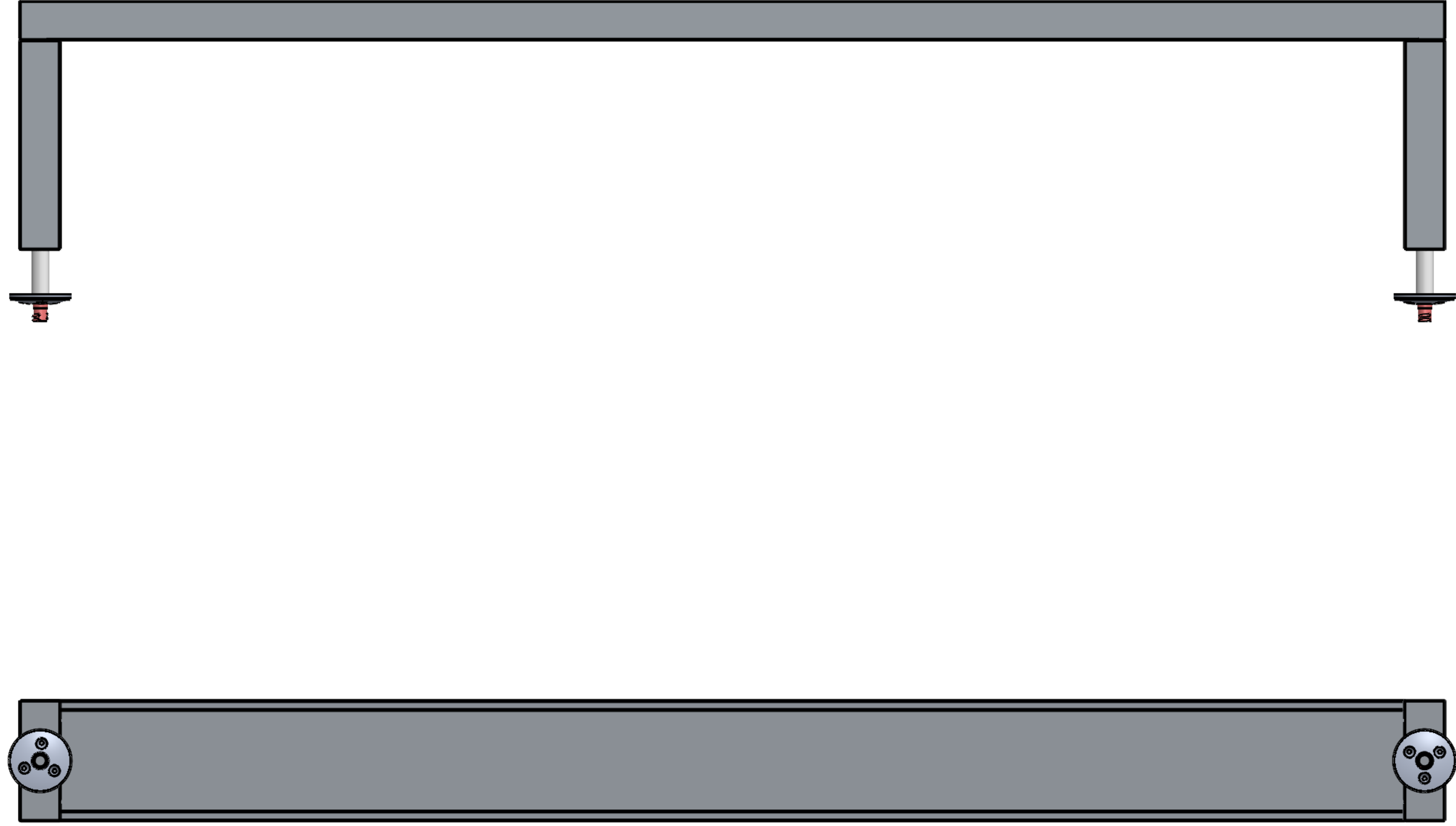
HEAT LIGHT SHROUD ASSEMBLY
Shroud Assembly ORER QTY:



FOR APPROVAL

CUSTOMER ITEM #:

HEAT LIGHT SHROUD ASSEMBLY
Shroud Assembly SEE BOM



SCALE: AS SHOWN
START DATE: 9/9/9999
SHEET SIZE: B

REV: -00
DATE: 9/9/9999

BY: ELECTRICAL 0
MILLWORK 0
QUALITY 0
PROJECT MGR

ORDER NO.
BSI LINE NO.
DRAWN BY:
APPROVED:

THIS DRAWING IS THE PROPERTY OF BSI AND IS TO REMAIN IN THE POSSESSION OF OUR REPRESENTATIVE UNLESS PERMISSION IS GIVEN BY BSI, AND MUST BE RETURNED WHEN REQUESTED