

GENERAL INFORMATION

Project Name: _____
Item: _____
Quantity: _____
Model: CP-480 _____
Length: _____

GENERAL SPECIFICATION

Materials

- 18-Gauge Brushed Finish Type 304 Stainless Interior Pan Liner
- 16-Gauge Brushed Finish Type 304 Stainless Exterior
- Pressure Foamed Insulation
- 1/2" Drain with Ball Valve and 60" Clear PVC Drain Tube

Construction

- NSF Standard 2 Construction
- Coved Corner Pan

EXTERIOR MATERIAL OPTIONS

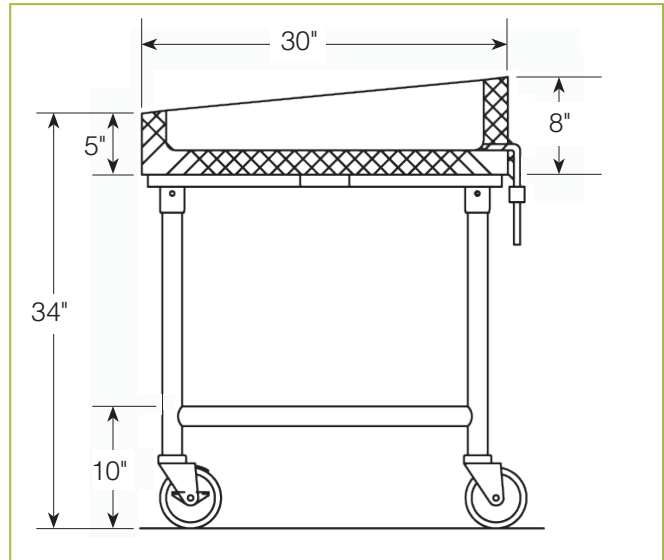
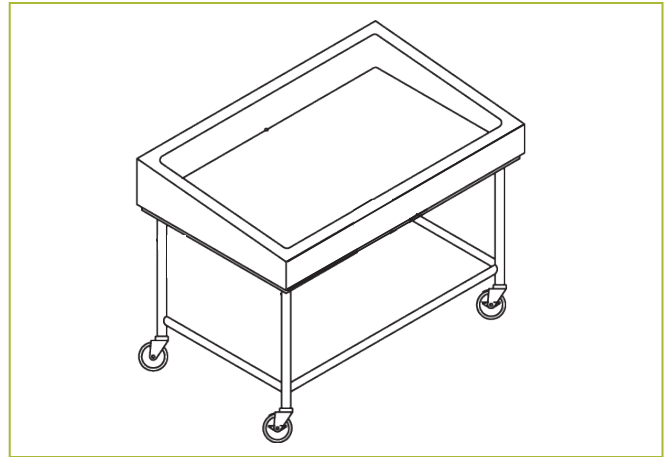
Hardwood Veneer: Type _____
 Hardwood (Solid): Type _____
 Plastic Laminate: Color _____
 Solid Surface: Color _____

EXTERIOR FINISH OPTIONS

Mirror Polished
 Stain: Type _____
 Powder Coat: Color _____
 Mechanical Refrigeration

CP-480

Mobile Marche Style Cold Pan



MODEL	CP-480-3036	CP-480-3048	CP-480-3060	CP-480-3072	CP-480-3084	CP-480-3636	CP-480-3648	CP-480-3660	CP-480-3672	CP-480-3684
Length	36"	48"	60"	72"	84"	36"	48"	60"	72"	84"
Width	30"	30"	30"	30"	30"	36"	36"	36"	36"	36"
Net Weight	125 lbs.	161 lbs.	198 lbs.	234 lbs.	270 lbs.	147 lbs.	189 lbs.	232 lbs.	274 lbs.	317 lbs.
Shipping Weight	175 lbs.	222 lbs.	270 lbs.	317 lbs.	365 lbs.	204 lbs.	258 lbs.	313 lbs.	368 lbs.	423 lbs.
Cubes	33	43	53	63	73	40	52	63	75	87

* Approval Drawings Required

Printed in the U.S.A. (January 2020) BSI, LLC
 Specifications subject to change without notice.