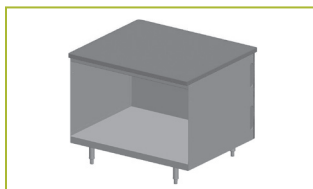
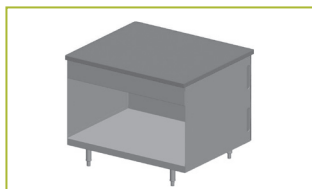
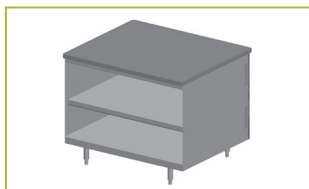


QUICK REFERENCE GUIDE

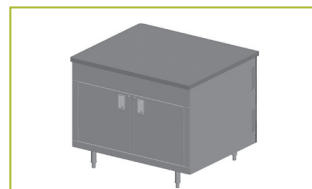
CS-CN-1



CS-CN-2



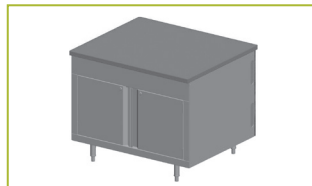
CS-CN-3



CS-CN-4



CS-CN-5



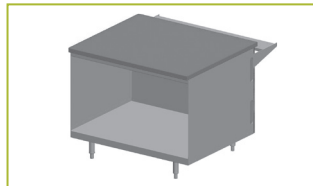
CS-CN-6



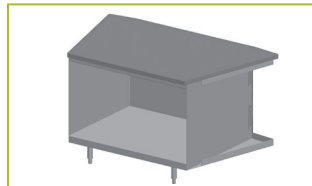
CS-CN-7



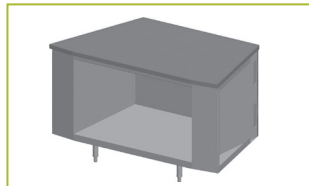
CS-CN-8



CS-CN-9



CS-CN-10



CS-CN-11

GENERAL INFORMATION

Project Name: _____
 Item: _____
 Quantity: _____
 Model: _____
 Length: _____

DESCRIPTION

Showcasing innovation in design, Contoura is a versatile, quick-to-assemble product line that uses mechanical fasteners rather than welded joints. Its interchangeability of parts allows for easier in-field counter modification and maintenance.

GENERAL SPECIFICATION

- 1/8" Stainless Steel #4 Standard Finish
- 14-GA Galvanized Engineered Supports
- Inside Shelves/Liner 18 GA 304 Stainless
- 18-GA Removable Back Panels for Easy Access to Utility Chase
- Utility Chase for Wiring and Plumbing
- 18-GA Removable Bottom Shelf
- 14-GA Galvanized Channels
- Stainless Steel Adjustable Bullet Feet
- 34" Overall Height (ADA Requires Optional Tray Rest)

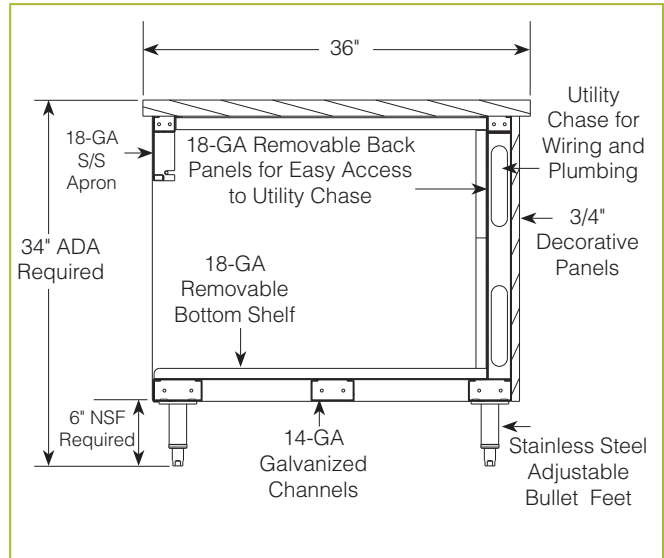
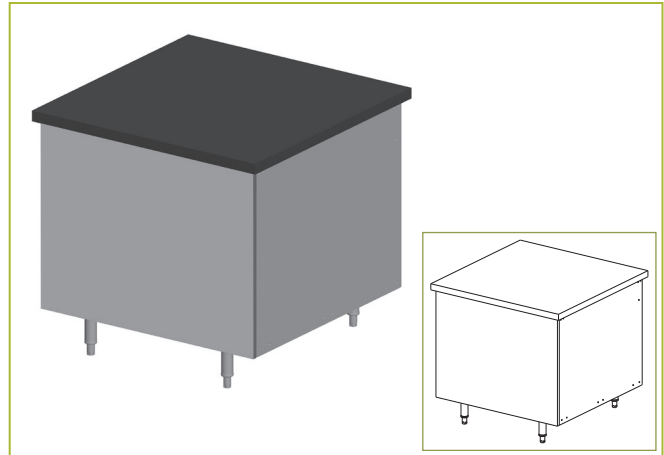
CONSTRUCTION OPTIONS

- CS-CN-1: Basic
- CS-CN-2: Apron
- CS-CN-3: Mid Shelf
- CS-CN-4: S/S Doors w/Recessed Pulls
- CS-CN-5: S/S Doors w/Horizontal Full Pulls
- CS-CN-6: S/S Doors w/Vertical Full Pulls
- CS-CN-7: Millwork Doors
- CS-CN-8: Millwork Doors, Stainless Wrapped
- CS-CN-9: Tray Slide
- CS-CN-10: Outside Curve
- CS-CN-11: Inside Curve

* Approval Drawings Required

Printed in the U.S.A. (April 2017) BSI, LLC
 Specifications subject to change without notice.

CONTOURA® CONSTRUCTION



ADDITIONAL OPTIONS

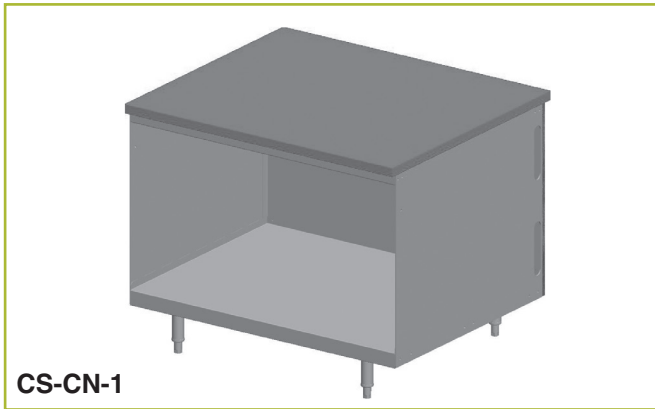
- Concealed Casters

For Custom Decorative Details see the following detail pages:

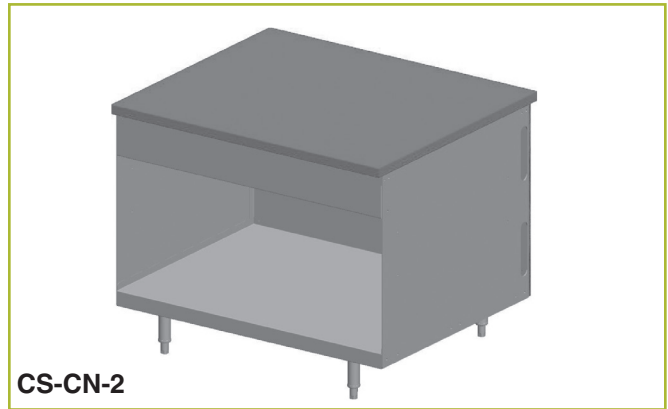
Tray Slide Options
 Millwork Counter Tops
 Exterior Panel Options

Basic frame construction is NSF Certified and UL Listed. The use of different construction materials may affect these certifications.

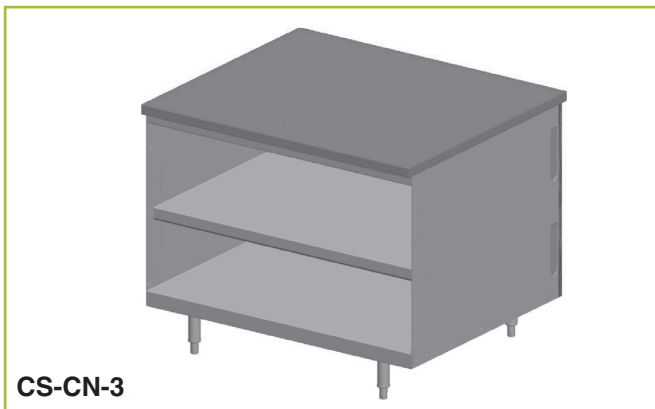


CONTOURA® CONSTRUCTION - SHOWN WITH OPTIONS

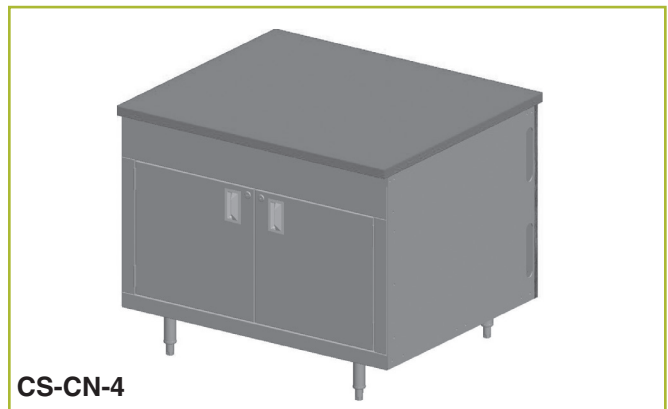
No options.



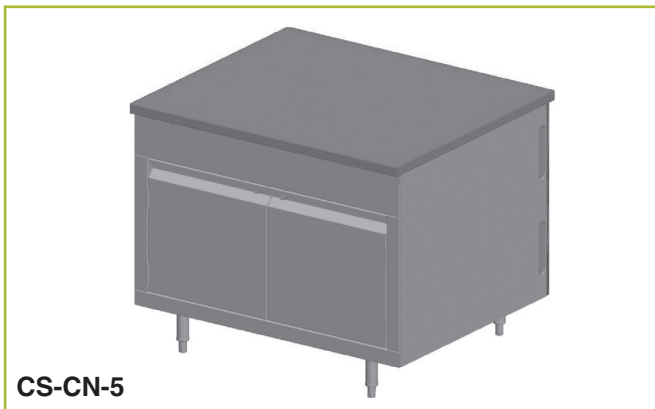
Shown with apron.



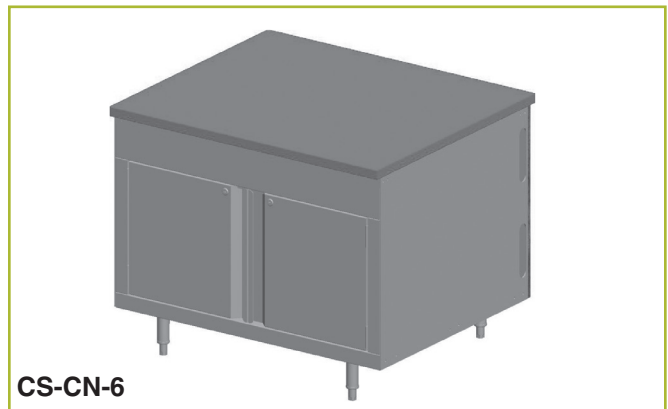
Shown with mid shelf.



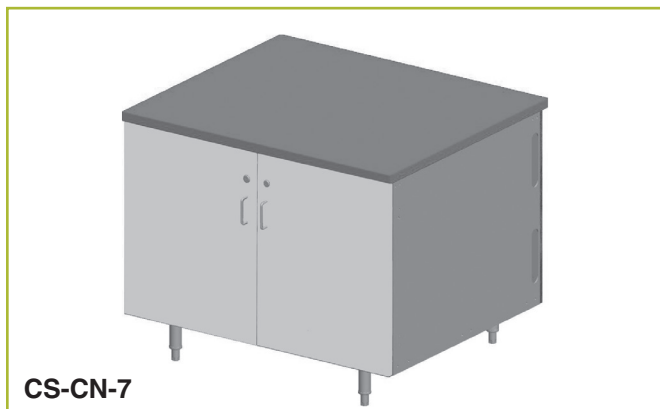
Shown with s/s doors and recessed pulls.



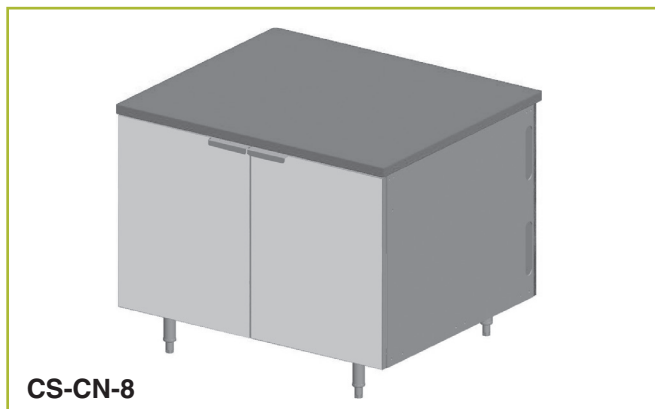
Shown with s/s doors and horizontal full pulls.



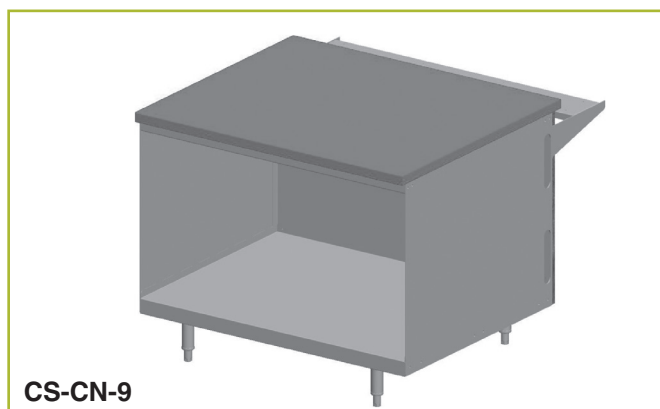
Shown with s/s doors and vertical full pulls.

CONTOURA® CONSTRUCTION - SHOWN WITH OPTIONS

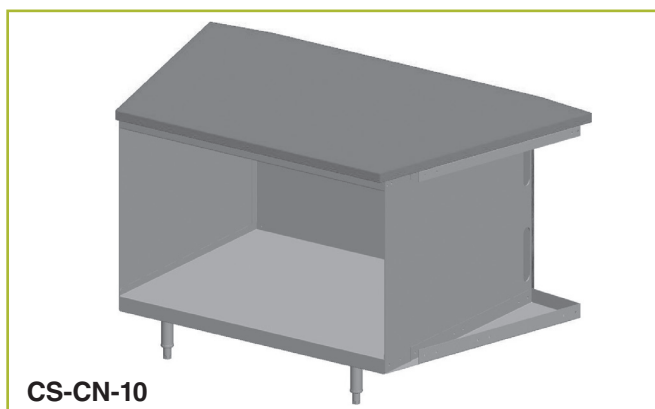
Shown with millwork doors.



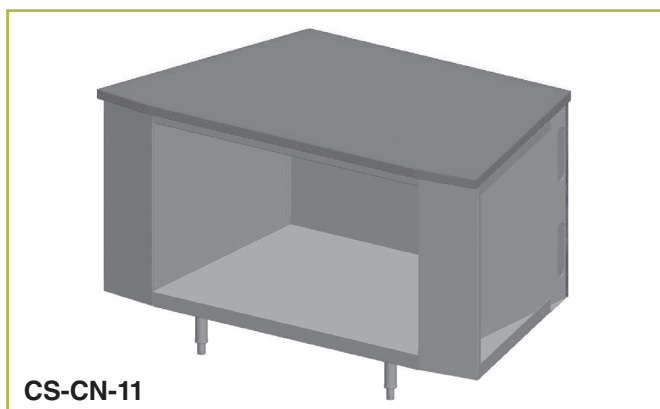
Shown with millwork doors, stainless wrapped.



Shown with tray slide.



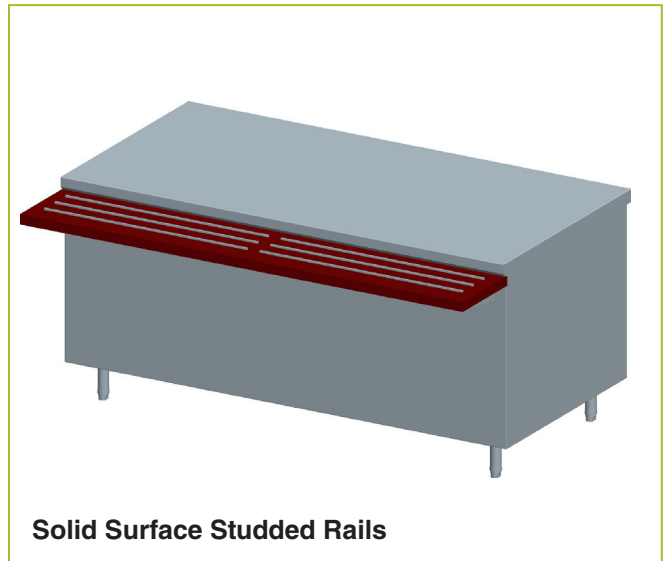
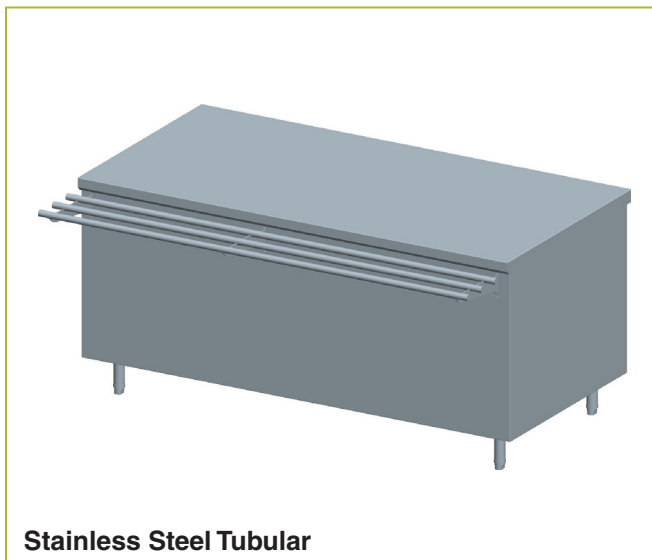
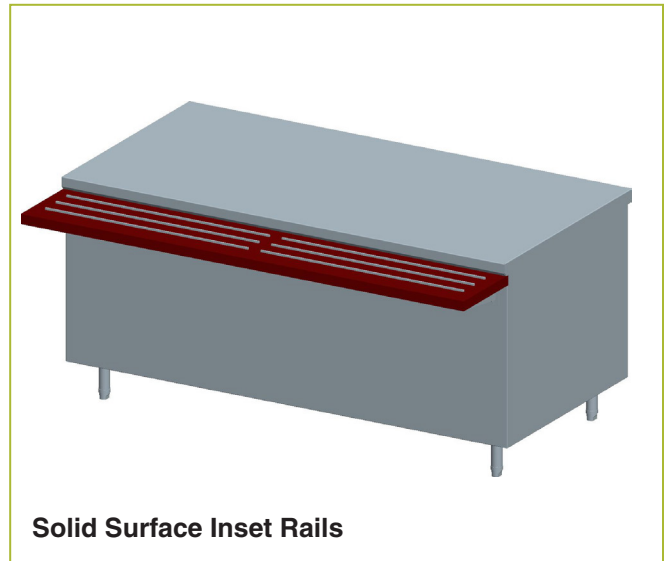
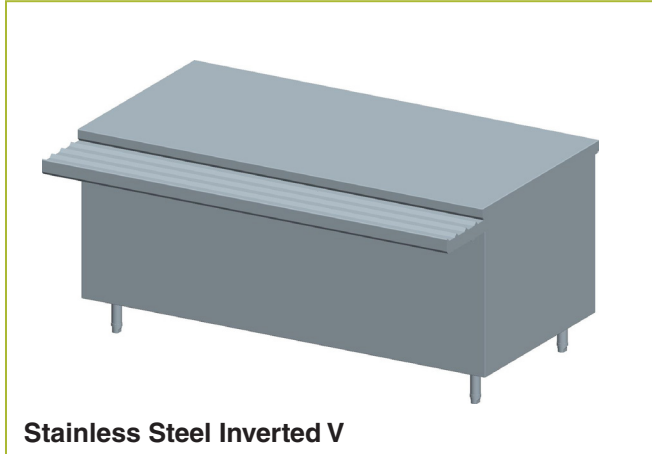
Shown with outside curve.



Shown with inside curve.

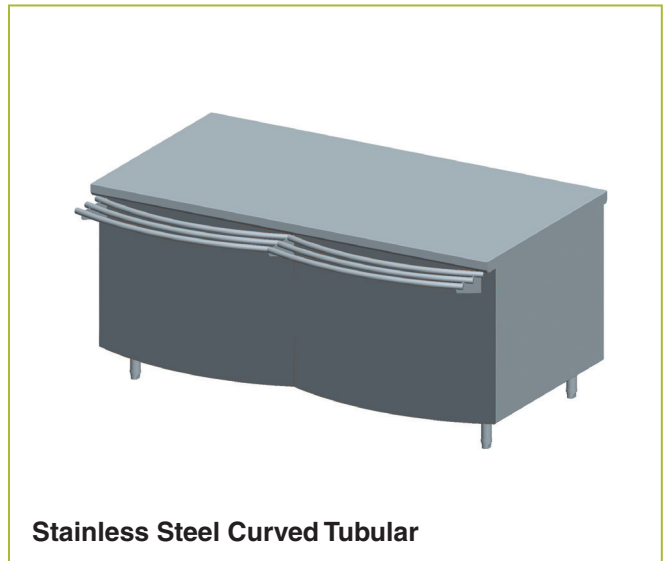
TRAY SLIDE OPTIONS

All BSI counter constructions can adapt all available tray slide options. Below are the five standard tray slides.



OPTIONS

- Stainless Steel Inverted V
- Stainless Steel Tubular
- Solid Surface Inset Rails
- Solid Surface Studded Rails
- Stainless Steel Curved Tubular
- Other _____



COUNTER TOP OPTIONS

All BSI counter constructions can adapt all available counter top options. Below are the five standard counter tops.



3cm Quartz Sample



Solid Surface Sample



Stainless Steel Sample



Natural Stone Sample

OPTIONS

- 3cm Quartz (Engineered Stone)
- Solid Surface (i.e. Corian with Millwork Substrate)
- Stainless Steel
- Natural Stone (i.e. Granite or Marble)
- Plastic Laminate (Millwork Substrate)
- Other _____