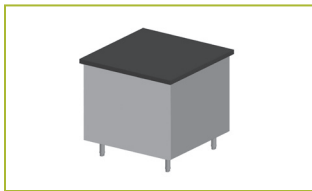


➤ QUICK REFERENCE GUIDE

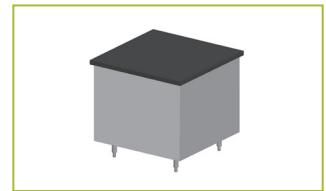
UNIBODY



ANGLE FRAME



OPEN BASE



MILLWORK

OPEN BASE WITH
MILLWORK

GENERAL INFORMATION

Project Name: _____
 Item: _____
 Quantity: _____
 Model: _____
 Length: _____

DESCRIPTION

An extremely robust construction method, Unibody Counter Construction uses welded joints to create any shape of counter imaginable. A solid choice for any application.

GENERAL SPECIFICATION

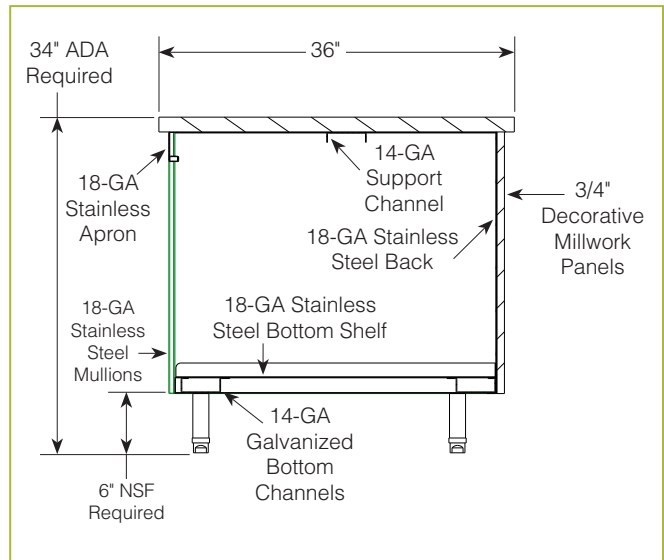
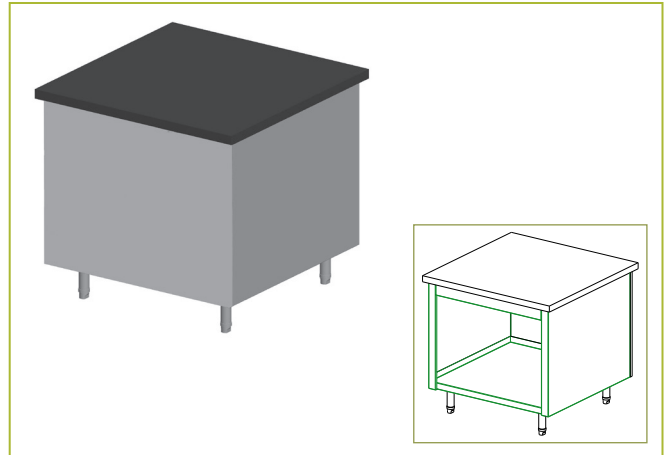
- 18-GA Stainless Steel #4 Standard Finish
- Inside Shelves/Liner 18 GA 304 Stainless
- 18-GA Stainless Steel Bottom Shelf
- 14-GA Galvanized Support Channels
- 18-GA Stainless Steel Mullions
- 34" Overall Height (ADA Requires Optional Tray Rest)
- Adjustable, Removable or Fixed Shelves
- 18-GA Stainless Apron

ADDITIONAL OPTIONS

- Casters
- Drawers

CUSTOM CONSTRUCTION

Unibody Construction



For Custom Decorative Details see the following detail pages:

- Tray Slide Options
- Millwork Counter Tops
- Exterior Panel Options

Basic frame construction is NSF Certified and UL Listed. The use of different construction materials may affect these certifications.

* Approval Drawings Required

Printed in the U.S.A. (April 2017) BSI, LLC
 Specifications subject to change without notice.

Rv. 6



GENERAL INFORMATION

Project Name: _____
 Item: _____
 Quantity: _____
 Model: _____
 Length: _____

DESCRIPTION

Angle Frame Construction is a sturdy, economical way to build counters if cabinet storage is not an essential criterion.

GENERAL SPECIFICATION

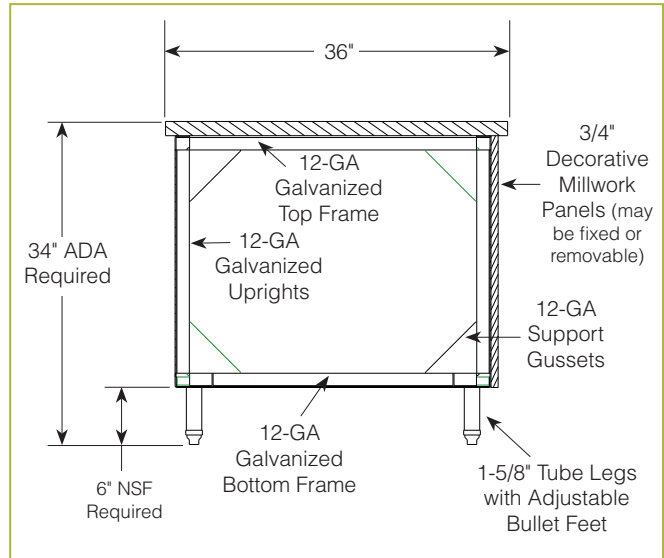
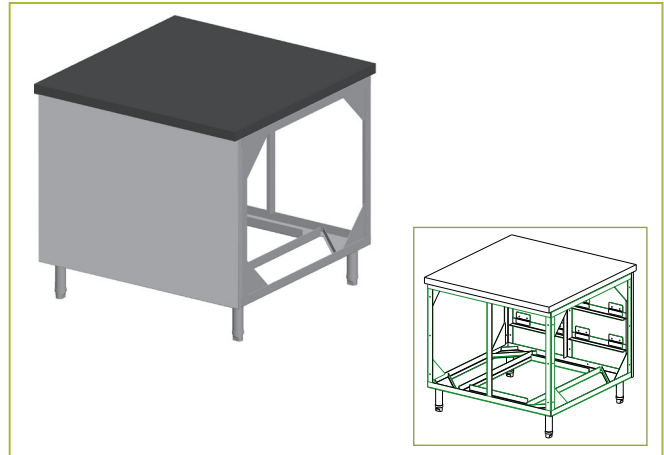
- 12-GA Stainless Steel Top Finish
- 12-GA Stainless Steel Uprights
- 12-GA Stainless Steel Bottom Frame
- 3/4" Decorative Millwork Panels (may be fixed or removable)
- 12-GA Stainless Steel Support Gussets
- 34" Overall Height (ADA Requires Optional Tray Rest)
- 1-5/8" Tube Legs with Adjustable Bullet Feet

ADDITIONAL OPTIONS

- Casters
- Drawers

CUSTOM CONSTRUCTION

Angle Frame Construction



For Custom Decorative Details see the following detail pages:

- Tray Slide Options
- Millwork Counter Tops
- Exterior Panel Options

Basic frame construction is NSF Certified and UL Listed. The use of different construction materials may affect these certifications.

* Approval Drawings Required

Printed in the U.S.A. (April 2020) BSI, LLC
 Specifications subject to change without notice.

Rv. 6



GENERAL INFORMATION

Project Name: _____
 Item: _____
 Quantity: _____
 Model: _____
 Length: _____

DESCRIPTION

Open Base Construction is a great option for areas where no decorative counter fronts are necessary.

GENERAL SPECIFICATION

- 14-GA Stainless or Galvanized Support Channels
- 18-GA Bottom Shelf (or 1-5/8" Stainless Cross Rails)
- Stainless Steel Bell Gussets
- 34" Overall Height (ADA Requires Optional Tray Rest)
- 1-5/8" Stainless Steel Tubing Legs
- Adjustable Bullet Feet

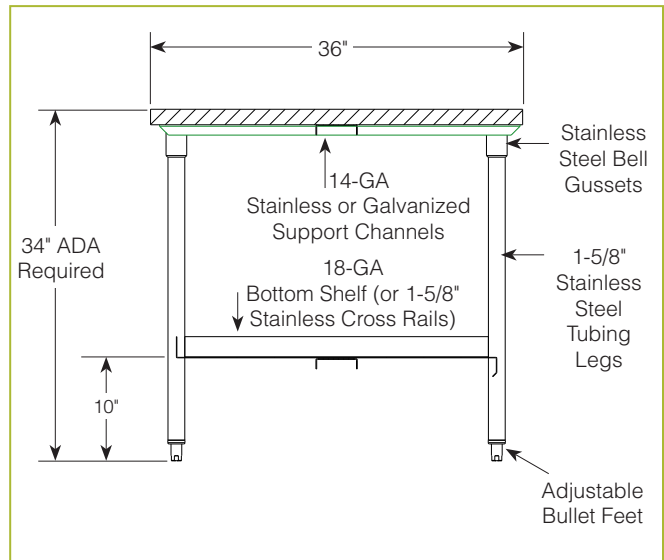
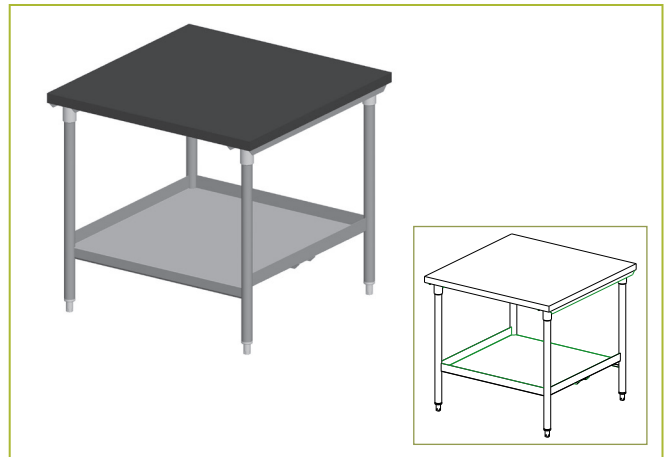
ADDITIONAL OPTIONS

Casters

* No Rack Slide Storage Option.

CUSTOM CONSTRUCTION

Open Base Construction



For Custom Decorative Details see the following detail pages:

Tray Slide Options

Millwork Counter Tops

Exterior Panel Options

Basic frame construction is NSF Certified and UL Listed. The use of different construction materials may affect these certifications.

*** Approval Drawings Required**

Printed in the U.S.A. (April 2017) BSI, LLC
 Specifications subject to change without notice.

Rv. 6



GENERAL INFORMATION

Project Name: _____
 Item: _____
 Quantity: _____
 Model: _____
 Length: _____

DESCRIPTION

Economical and adaptive, Millwork Construction has all the flexibility of Unibody and Contoura for situations where no stainless steel is required.

GENERAL SPECIFICATION

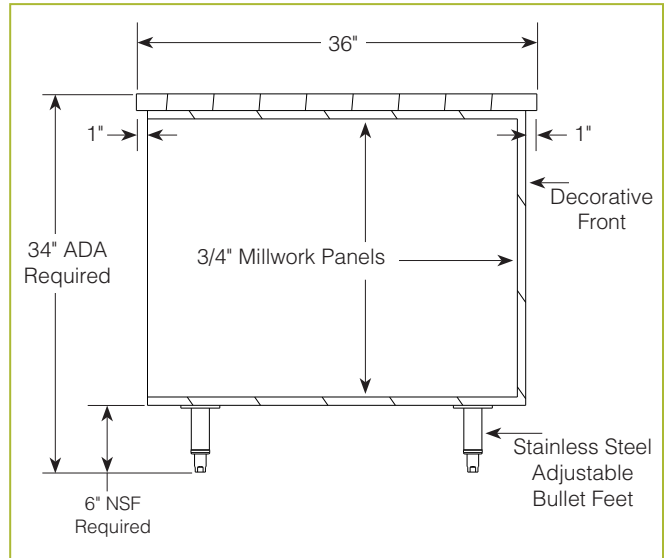
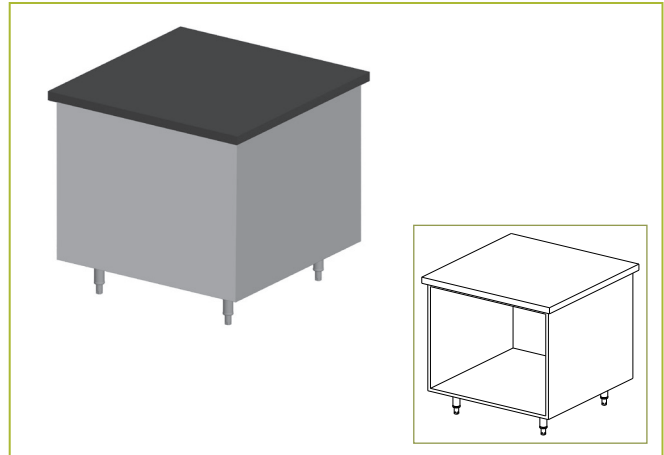
- 3/4" Millwork Panels
- 34" Overall Height (ADA Requires Optional Tray Rest)
- Stainless Steel Adjustable Bullet Feet
- Adjustable, Removable or Fixed Shelves

ADDITIONAL OPTIONS

- Casters

CUSTOM CONSTRUCTION

Millwork Construction



For Custom Decorative Details see the following detail pages:

- Tray Slide Options
- Millwork Counter Tops
- Exterior Panel Options

Basic frame construction is NSF Certified and UL Listed. The use of different construction materials may affect these certifications.

* Approval Drawings Required

Printed in the U.S.A. (April 2017) BSI, LLC
 Specifications subject to change without notice.

Rv. 6



GENERAL INFORMATION

Project Name: _____
 Item: _____
 Quantity: _____
 Model: _____
 Length: _____

DESCRIPTION

The ease of economical Open Base Construction with the ability to have decorative counter fronts.

GENERAL SPECIFICATION

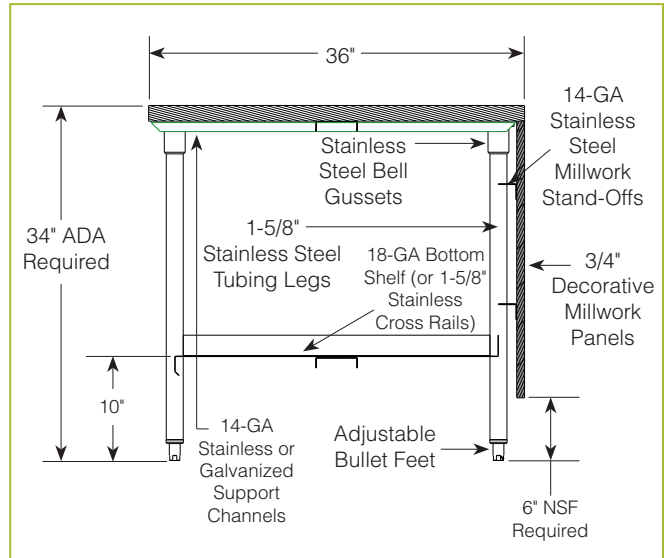
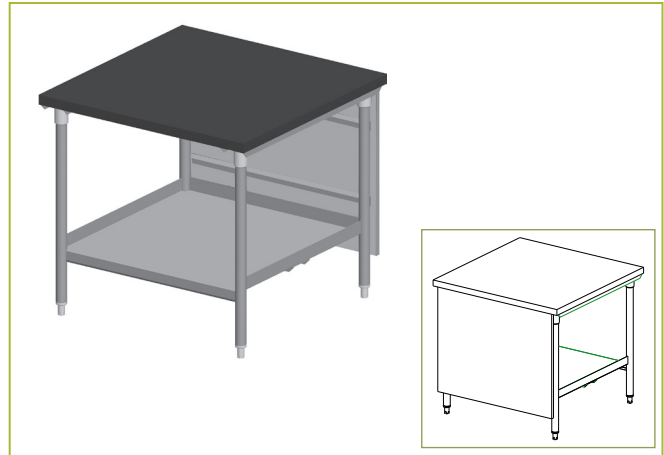
- Stainless Steel Bell Gussets
- 18-GA Bottom Shelf (or 1-5/8" Stainless Cross Rails)
- 14-GA Stainless Steel Millwork Stand-Offs
- 34" Overall Height (ADA Requires Optional Tray Rest)
- 1-5/8" Stainless Steel Tubing Legs
- Adjustable Bullet Feet
- 14-GA Stainless or Galvanized Support Channels
- 3/4" Decorative Millwork Panels

ADDITIONAL OPTIONS

- Casters

CUSTOM CONSTRUCTION

Open Base with Millwork Construction



For Custom Decorative Details see the following detail pages:

- Tray Slide Options
- Millwork Counter Tops
- Exterior Panel Options

Basic frame construction is NSF Certified and UL Listed. The use of different construction materials may affect these certifications.

* Approval Drawings Required

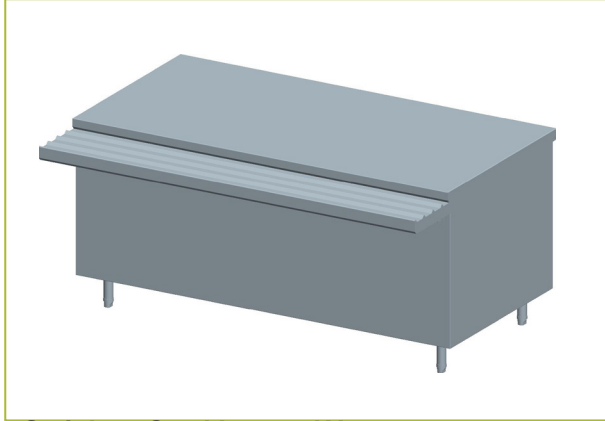
Printed in the U.S.A. (April 2017) BSI, LLC
 Specifications subject to change without notice.

Rv. 6

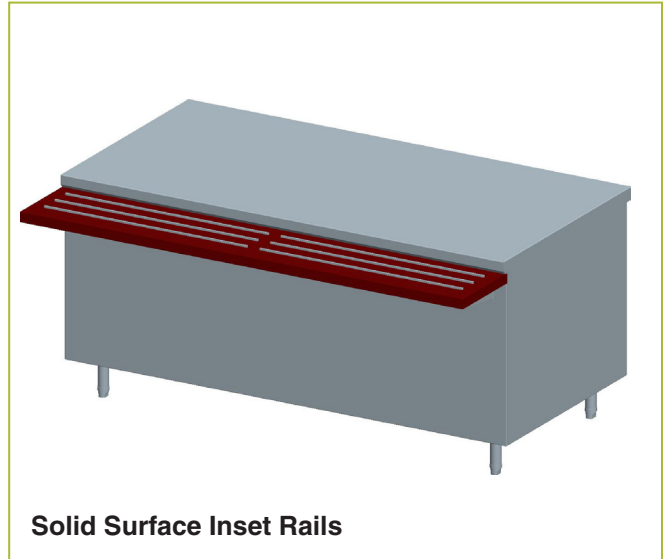


TRAY SLIDE OPTIONS

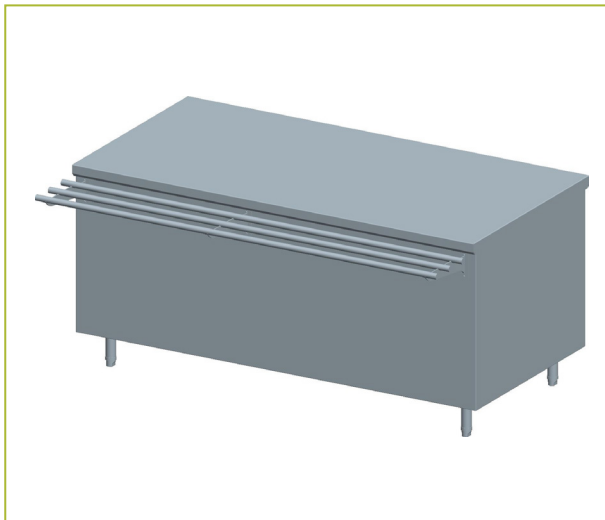
All BSI counter constructions can adapt all available tray slide options. Below are the five standard tray slides.



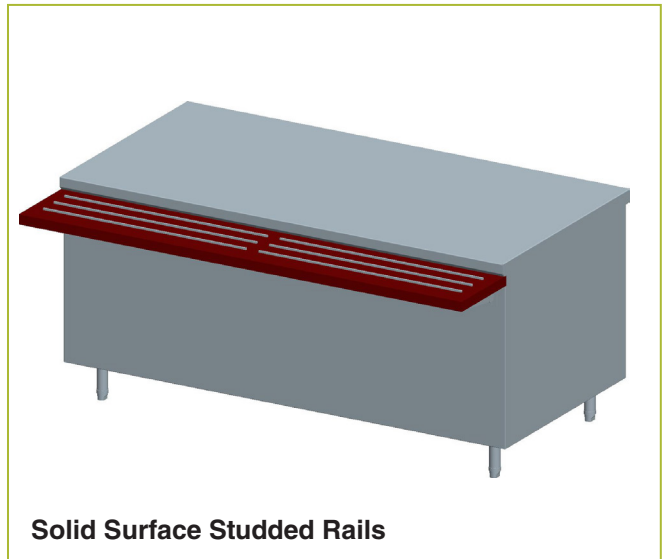
Stainless Steel Inverted V



Solid Surface Inset Rails



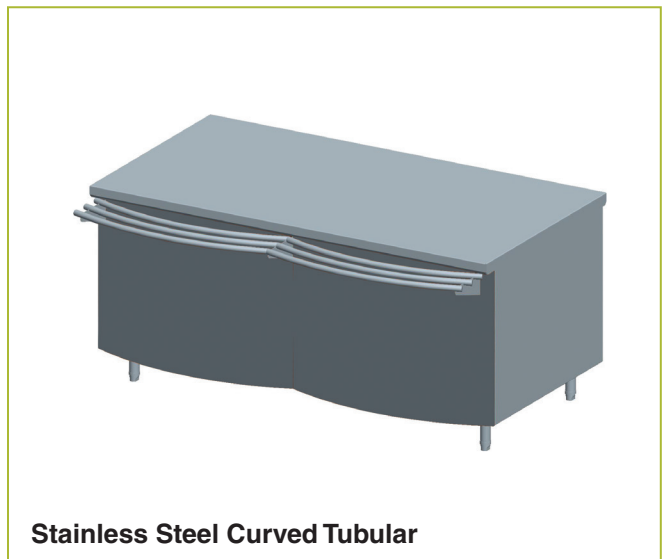
Stainless Steel Tubular



Solid Surface Studded Rails

OPTIONS

- Stainless Steel Inverted V
- Stainless Steel Tubular
- Solid Surface Inset Rails
- Solid Surface Studded Rails
- Stainless Steel Curved Tubular
- Other _____



Stainless Steel Curved Tubular

COUNTER TOP OPTIONS

All BSI counter constructions can adapt all available counter top options. Below are the five standard counter tops.



3cm Quartz Sample



Solid Surface Sample



Stainless Steel Sample



Natural Stone Sample

OPTIONS

- 3cm Quartz (Engineered Stone)
- Solid Surface (i.e. Corian with Millwork Substrate)
- Stainless Steel
- Natural Stone (i.e. Granite or Marble)
- Plastic Laminate (Millwork Substrate)
- Other _____