

## GENERAL INFORMATION

**Project Name:** \_\_\_\_\_

**Item:** \_\_\_\_\_

**Quantity:** \_\_\_\_\_

**Model:** DECO-935

**Length:** \_\_\_\_\_

## STANDARD SPECIFICATIONS

- 1" Diameter Stainless Steel Posts
- 3/8" Clear Tempered Front Glass Panels (max. span 66")
- 3/8" Clear Tempered Glass Top Shelf (max. span 66")
- Max Center Line Post-to-Post Span = 78"
- 1/4" Clear Tempered Glass End Panels
- 1" Radius Glass Corners

## OPTIONS AND ACCESSORIES

### NSF-LISTED FINISH OPTIONS

- Stainless Steel (Standard)
- Stainless Steel #4
- Stainless Steel #8 (Chrome)
- Matte Black
- Gloss Black
- Wrinkle Black
- Prismatic Brass
- Smoked Copper
- Statuary Bronze
- Other \_\_\_\_\_

### GLASS FINISHES

- Clear (Standard)
- Low-Iron
- Frosted
- Frosted Logo/Imprint
- Pattern

### GLASS CORNERS

- 1" Radius Corners (Standard)
- Square Corners

### GLASS PANEL OPTIONS

- 1/4" Glass (max. span 54")
- 3/8" Glass (max. span 66") (Standard)
- 1/2" Glass (max. span 72")

### MOUNTING STYLES (SELECT ONE)

See installation page for more details.

**Above Counter:** Stainless Steel Counter

**Under Counter:** Stainless Steel Counter

(Requires Under-Counter Reinforcement & Access)

**Above Counter:** Millwork Counter

**Under Counter:** Millwork Counter

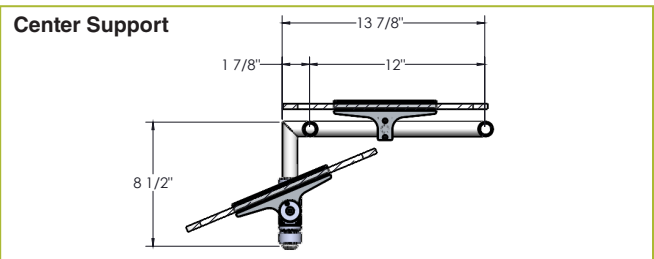
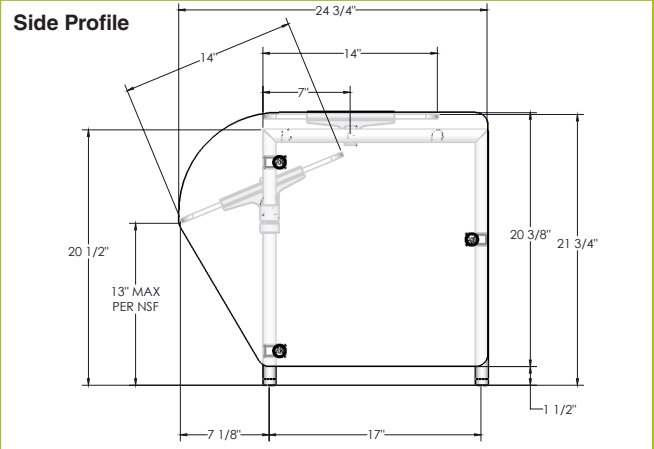
Approval Drawings Required  
Specifications subject to change without notice.

## DECO-935 ClearSpan

Self Serve w/Top Shelf, U-Shaped End Posts  
w/ Shortened Center Post



To meet NSF guidelines, end panels are included on all BSI quotations unless specifically excluded. (See End Panel Page for More Details.)



### LIGHT AND WARMER OPTIONS

Model #	Description
<input type="checkbox"/> 2580	BSI Slimline LED Light
<input type="checkbox"/> 790	BSI Stealth Heat-Only Warmer
<input type="checkbox"/> 705	BSI Stealth Heat-Light Combo
<input type="checkbox"/> 500	BSI Stealth Heat-Light-Heat Combo

All BSI light and warmer units are UL Listed. See light and warmer spec sheets for detailed information. Acces is also available with other manufacturers' heat and light units. Contact BSI for details.

- SS1: EZ Mount 2" x 8" Flange
- SSU3-H: Heavy-Duty Flange
- SSU5-H: Heavy-Duty Flange
- MW1: Heavy-Duty Flange
- MWU3: Narrow Flange
- MWU4: Compression Installation (not recommended for solid surfaces)
- SSU3-N: Narrow Flange
- SSU5-N: Narrow Flange
- MW2: Narrow Flange
- MWU5: Heavy-Duty Flange