

GENERAL INFORMATION

Project Name: _____
Item: _____
Quantity: _____
Model: DECO-950 _____
Length: _____

STANDARD NSF LISTED FINISH OPTIONS

- | | |
|---|--|
| <input type="checkbox"/> Stainless Steel #4 | <input type="checkbox"/> Chrome |
| <input type="checkbox"/> Gloss Black | <input type="checkbox"/> Wrinkle Black |
| <input type="checkbox"/> Smoked Copper | <input type="checkbox"/> Polished Brass Finish |
| <input type="checkbox"/> Other _____ | |

LIGHT OPTIONS

- LED Light Unit
 Linear T-5 Fluorescent Unit

For warmers contact BSI factory.

GLASS THICKNESS

- 1/4" Tempered Glass (not for shelves)
 Centerline Max 54"
 3/8" Tempered Glass (for shelf or span more than 54")
 Centerline Max 66"
 1/2" Tempered Glass (for shelf or span more than 66")
 Centerline Max 72"

GLASS CORNERS

- 1" Radius Corner (standard) Square Corners

INSTALLATION OPTIONS

Above-Counter: Stainless Steel Counter
Under-Counter: Stainless Steel Counter
 (Requires Under-Counter Reinforcement & Access)

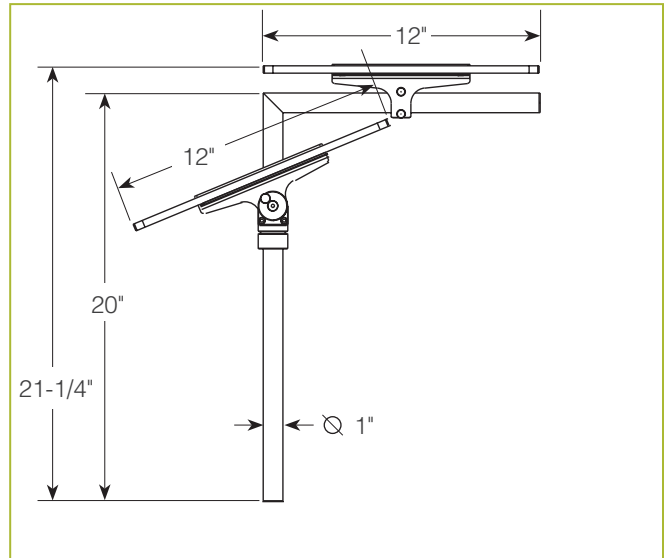
Above-Counter: Millwork Counter
Under-Counter: Millwork Counter

See Installation Page for More Details.

- | |
|--|
| <input type="checkbox"/> DECO Above-Counter Flange |
| <input type="checkbox"/> SSU3-H: Heavy-Duty Flange |
| <input type="checkbox"/> SSU3-N: Narrow Flange |
| <input type="checkbox"/> SSU5-H: Heavy-Duty Flange |
| <input type="checkbox"/> SSU5-N: Narrow Flange |
| <input type="checkbox"/> DECO Above-Counter Flange |
| <input type="checkbox"/> MWU3: Narrow Flange |
| <input type="checkbox"/> MWU4: Compression Installation (not recommended for solid surfaces) |
| <input type="checkbox"/> MWU5: Heavy-Duty Flange |

DECO-950

Combo-Serve



To meet NSF guidelines, end panels are included on all BSI quotations unless specifically excluded. (See End Panel Page for More Details.)

* Approval Drawings Required

Specifications subject to change without notice.

5.21

