

## GENERAL INFORMATION

**Project Name:** \_\_\_\_\_  
**Item:** \_\_\_\_\_  
**Quantity:** \_\_\_\_\_  
**Model:** DECO-101-N  
**Length:** \_\_\_\_\_

## STANDARD NSF LISTED FINISH OPTIONS

- |   |  |
|---|--|
| <input type="checkbox"/> Stainless Steel #4 | <input type="checkbox"/> Chrome                |
| <input type="checkbox"/> Gloss Black        | <input type="checkbox"/> Wrinkle Black         |
| <input type="checkbox"/> Smoked Copper      | <input type="checkbox"/> Polished Brass Finish |
| <input type="checkbox"/> Other _____        |  |

## TUBE OPTIONS

- |  |  |
|--|--|
| <input type="checkbox"/> 1-1/2" Round (standard) | <input type="checkbox"/> 1" Round Diameter |
| <input type="checkbox"/> 1" Square               | <input type="checkbox"/> 1-1/2" Square     |

## GLASS THICKNESS

- |   |
|---|
| <input type="checkbox"/> 1/4" Tempered Glass (not for shelves)<br>Centerline Max 54"                            |
| <input type="checkbox"/> 3/8" Tempered Glass (standard) (for shelf or span more than 54")<br>Centerline Max 66" |
| <input type="checkbox"/> 1/2" Tempered Glass (for shelf or span more than 66")<br>Centerline Max 72"            |

## GLASS PANEL OPTIONS

- |   |
|---|
| <input type="checkbox"/> Full Perimeter Channel |
|---|

## INSTALLATION OPTIONS

- |  |  |                                       |
|--|--|---------------------------------------|
| <input type="checkbox"/> <b>Above-Counter:</b> Round Tube  | <input type="checkbox"/> Narrow Flange | <input type="checkbox"/> Round Flange |
| <input type="checkbox"/> <b>Under-Counter:</b> Round Tube  |  |                                       |
| <input type="checkbox"/> <b>Under-Counter:</b> Square Tube |  |                                       |

**See Installation Page for More Information.**

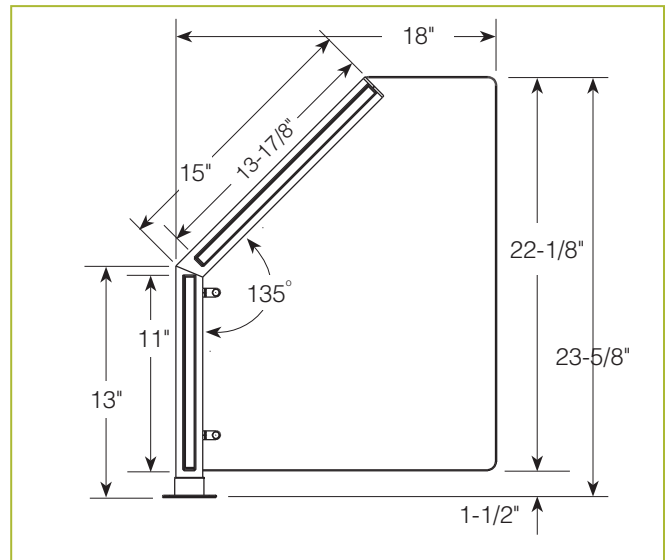
**\* Approval Drawings Required**

## DECO-101-N

### Vertical Operator-Serve Food Shield



Shown without end panels.



To meet NSF guidelines, end panels are included on all BSI quotations unless specifically excluded.

**Glass Shipped Separately from Posts**