

GENERAL INFORMATION

Project Name: _____
 Item: _____
 Quantity: _____
 Model: DECO-102-N
 Length: _____

STANDARD NSF LISTED FINISH OPTIONS

- | | |
|---|--|
| <input type="checkbox"/> Stainless Steel #4 | <input type="checkbox"/> Chrome |
| <input type="checkbox"/> Gloss Black | <input type="checkbox"/> Wrinkle Black |
| <input type="checkbox"/> Smoked Copper | <input type="checkbox"/> Polished Brass Finish |
| <input type="checkbox"/> Other _____ | |

TUBE OPTIONS

- 1-1/2" Round (standard)

GLASS THICKNESS

- 1/4" Tempered Glass (not for shelves)
Centerline Max 54"
- 3/8" Tempered Glass (standard) (for shelf or span more than 54")
Centerline Max 66"
- 1/2" Tempered Glass (for shelf or span more than 66")
Centerline Max 72"

GLASS PANEL OPTIONS

- Full Perimeter Channel

INSTALLATION OPTIONS

- Above-Counter:** Round Tube
- Narrow Flange Round Flange
- Under-Counter:** Round Tube

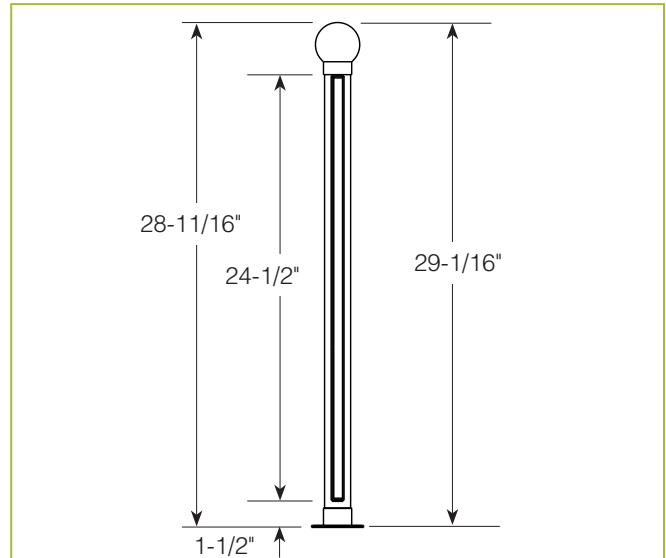
See Installation Page for More Information.

DECO-102-N

Vertical Operator-Serve Food Shield



Shown without end panels.



To meet NSF guidelines, end panels are included on all BSI quotations unless specifically excluded.

Glass Shipped Separately from Posts

*** Approval Drawings Required**