

## GENERAL INFORMATION

Project Name: \_\_\_\_\_  
 Item: \_\_\_\_\_  
 Quantity: \_\_\_\_\_  
 Model: DECO-205-N  
 Length: \_\_\_\_\_

## STANDARD NSF LISTED FINISH OPTIONS

- Stainless Steel #4
- Chrome
- Gloss Black
- Wrinkle Black
- Smoked Copper
- Polished Brass Finish
- Other \_\_\_\_\_

## TUBE OPTIONS

- 1-1/2" Round (standard)
- 1" Round Diameter
- 1" Square
- 1-1/2" Square

## GLASS THICKNESS

- 1/4" Tempered Glass (not for shelves)  
Centerline Max 54"
- 3/8" Tempered Glass (standard) (for shelf or span more than 54")  
Centerline Max 66"
- 1/2" Tempered Glass (for shelf or span more than 66")  
Centerline Max 72"

## GLASS PANEL OPTIONS

- Full Perimeter Channel

## TOP SHELF OPTIONS

- 1/2" Tempered Glass
- 3/8" Tempered Glass
- #8 Mirror Polished Brass
- Stainless:  #4 Brushed  #8 Mirror Polished
- Powder Coated \_\_\_\_\_ Color \_\_\_\_\_
- Solid Surface \_\_\_\_\_ Material \_\_\_\_\_

## INSTALLATION OPTIONS

- Above-Counter:** Round Tube
  - Narrow Flange
  - Round Flange
- Above-Counter:** Square Tube
- Under-Counter:** Round Tube
- Under-Counter:** Square Tube

See Installation Page for More Information.

## \* Approval Drawings Required

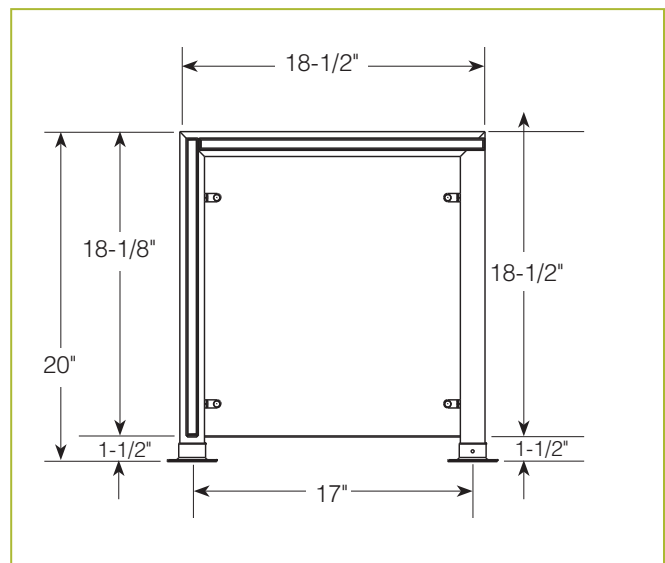
Specifications subject to change without notice.

## DECO-205-N

### Operator-Serve Food Shield



Shown without end panels.



To meet NSF guidelines, end panels are included on all BSI quotations unless specifically excluded.

## Glass Shipped Separately from Posts

## LIGHT AND WARMER OPTIONS

- LED Light Unit
- Linear T-5 Fluorescent Unit
- BSI Stealth™ Linear Heat Only Unit
- BSI Stealth™ Linear Heat and Light Combo Unit (Fluorescent)
- BSI Stealth™ Linear Heat and Light Combo Unit (LED)
- BSI Stealth™ Linear Double Heat and Light Combo Unit (Fluorescent)
- BSI Stealth™ Linear Double Heat and Light Combo Unit (LED)
- Hatco® Brand Heat Only Unit
- Hatco® Brand Heat and Light Combo Unit

Structural enhancements or mounting might be required to support heat light options.