

GENERAL INFORMATION

Project Name: _____
 Item: _____
 Quantity: _____
 Model: DECO-257-N
 Length: _____

STANDARD NSF LISTED FINISH OPTIONS

- | | |
|---|--|
| <input type="checkbox"/> Stainless Steel #4 | <input type="checkbox"/> Chrome |
| <input type="checkbox"/> Gloss Black | <input type="checkbox"/> Wrinkle Black |
| <input type="checkbox"/> Smoked Copper | <input type="checkbox"/> Polished Brass Finish |
| <input type="checkbox"/> Other _____ | |

TUBE OPTIONS

- 1-1/2" Round (standard)

GLASS THICKNESS

- 1/4" Tempered Glass (not for shelves)
Centerline Max 54"
- 3/8" Tempered Glass (standard) (for shelf or span more than 54") Centerline Max 66"
- 1/2" Tempered Glass (for shelf or span more than 66")
Centerline Max 72"

GLASS PANEL OPTIONS

- Full Perimeter Channel

TOP SHELF OPTIONS

- | | |
|---|---|
| <input type="checkbox"/> 1/2" Tempered Glass | <input type="checkbox"/> 3/8" Tempered Glass |
| <input type="checkbox"/> #8 Mirror Polished Brass | |
| <input type="checkbox"/> Stainless: | <input type="checkbox"/> #4 Brushed <input type="checkbox"/> #8 Mirror Polished |
| <input type="checkbox"/> Powder Coated | Color _____ |
| <input type="checkbox"/> Solid Surface | Material _____ |

INSTALLATION OPTIONS

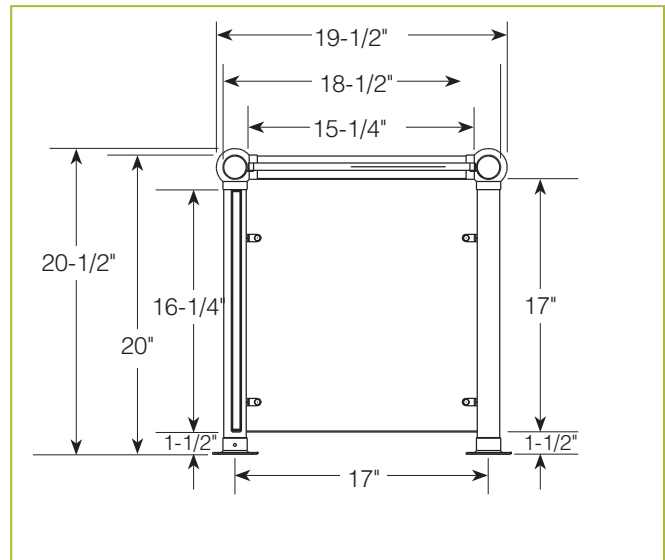
- Above-Counter:** Round Tube
- Narrow Flange Round Flange
- Under-Counter:** Round Tube

See Installation Page for More Information.

* Approval Drawings Required

DECO-257-N

Operator-Serve Food Shield



To meet NSF guidelines, end panels are included on all BSI quotations unless specifically excluded.

Shipped Fully Assembled

LIGHT AND WARMER OPTIONS

- LED Light Unit
- Linear T-5 Fluorescent Unit
- BSI Stealth™ Linear Heat Only Unit
- BSI Stealth™ Linear Heat and Light Combo Unit (Fluorescent)
- BSI Stealth™ Linear Heat and Light Combo Unit (LED)
- BSI Stealth™ Linear Double Heat and Light Combo Unit (Fluorescent)
- BSI Stealth™ Linear Double Heat and Light Combo Unit (LED)
- Hatco® Brand Heat Only Unit
- Hatco® Brand Heat and Light Combo Unit

Structural enhancements or mounting might be required to support heat light options.