

GENERAL INFORMATION

Project Name: _____
 Item: _____
 Quantity: _____
 Model: DECO-258-N
 Length: _____

STANDARD NSF LISTED FINISH OPTIONS

- Stainless Steel #4
- Chrome
- Gloss Black
- Wrinkle Black
- Smoked Copper
- Polished Brass Finish
- Other _____

TUBE OPTIONS

- 1-1/2" Round (standard)

GLASS THICKNESS

- 1/4" Tempered Glass (not for shelves)
Centerline Max 54"
- 3/8" Tempered Glass (standard) (for shelf or span more than 54")
Centerline Max 66"
- 1/2" Tempered Glass (for shelf or span more than 66")
Centerline Max 72"

GLASS PANEL OPTIONS

- Full Perimeter Channel

TOP SHELF OPTIONS

- 1/2" Tempered Glass
- 3/8" Tempered Glass
- #8 Mirror Polished Brass
- Stainless: #4 Brushed #8 Mirror Polished
- Powder Coated Color _____
- Solid Surface Material _____

INSTALLATION OPTIONS

- Above-Counter:** Round Tube
 - Narrow Flange
 - Round Flange
- Above-Counter:** Square Tube
- Under-Counter:** Round Tube
- Under-Counter:** Square Tube

See Installation Page for More Information.

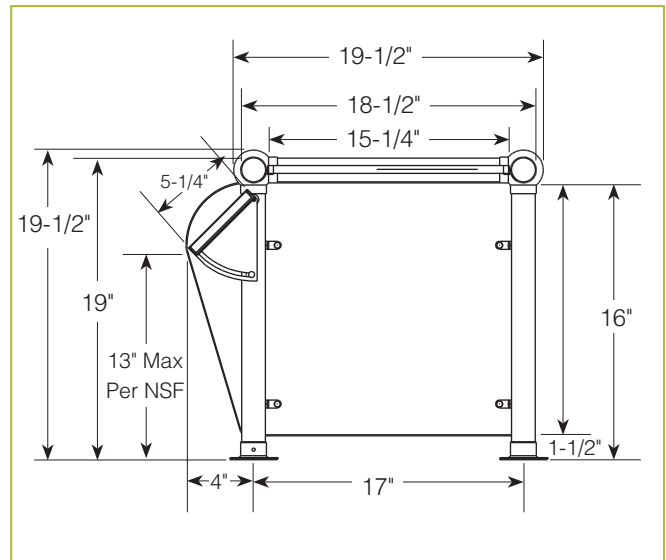
* Approval Drawings Required

DECO-258-N

Self-Serve Food Shield



Shown without end panels.



To meet NSF guidelines, end panels are included on all BSI quotations unless specifically excluded.

Shipped Fully Assembled

LIGHT AND WARMER OPTIONS

- LED Light Unit
- Linear T-5 Fluorescent Unit
- BSI Stealth™ Linear Heat Only Unit
- BSI Stealth™ Linear Heat and Light Combo Unit (Fluorescent)
- BSI Stealth™ Linear Heat and Light Combo Unit (LED)
- BSI Stealth™ Linear Double Heat and Light Combo Unit (Fluorescent)
- BSI Stealth™ Linear Double Heat and Light Combo Unit (LED)
- Hatco® Brand Heat Only Unit
- Hatco® Brand Heat and Light Combo Unit

Structural enhancements or mounting might be required to support heat light options.