

## GENERAL INFORMATION

Project Name: \_\_\_\_\_  
 Item: \_\_\_\_\_  
 Quantity: \_\_\_\_\_  
 Model: DECO-820-N  
 Length: \_\_\_\_\_

## STANDARD NSF LISTED FINISH OPTIONS

- |   |  |
|---|--|
| <input type="checkbox"/> Stainless Steel #4 | <input type="checkbox"/> Chrome                |
| <input type="checkbox"/> Gloss Black        | <input type="checkbox"/> Wrinkle Black         |
| <input type="checkbox"/> Smoked Copper      | <input type="checkbox"/> Polished Brass Finish |
| <input type="checkbox"/> Other _____        |  |

## TUBE OPTIONS

- |  |  |
|--|--|
| <input type="checkbox"/> 1-1/2" Round (standard) | <input type="checkbox"/> 1" Round Diameter |
| <input type="checkbox"/> 1" Square               | <input type="checkbox"/> 1-1/2" Square     |

## GLASS THICKNESS

- |   |
|---|
| <input type="checkbox"/> 1/4" Tempered Glass (not for shelves)<br>Centerline Max 54"                            |
| <input type="checkbox"/> 3/8" Tempered Glass (standard) (for shelf or span more than 54")<br>Centerline Max 66" |
| <input type="checkbox"/> 1/2" Tempered Glass (for shelf or span more than 66")<br>Centerline Max 72"            |

## GLASS PANEL OPTIONS

- Full Perimeter Channel

## TOP SHELF OPTIONS

- |   |   |
|---|---|
| <input type="checkbox"/> 1/2" Tempered Glass      | <input type="checkbox"/> 3/8" Tempered Glass                                    |
| <input type="checkbox"/> #8 Mirror Polished Brass |   |
| <input type="checkbox"/> Stainless:               | <input type="checkbox"/> #4 Brushed <input type="checkbox"/> #8 Mirror Polished |
| <input type="checkbox"/> Powder Coated            | Color _____   |
| <input type="checkbox"/> Solid Surface            | Material _____  |

## INSTALLATION OPTIONS

- |  |  |                                       |
|--|--|---------------------------------------|
| <input type="checkbox"/> <b>Above-Counter:</b> Round Tube  | <input type="checkbox"/> Narrow Flange | <input type="checkbox"/> Round Flange |
| <input type="checkbox"/> <b>Above-Counter:</b> Square Tube |  |                                       |
| <input type="checkbox"/> <b>Under-Counter:</b> Round Tube  |  |                                       |
| <input type="checkbox"/> <b>Under-Counter:</b> Square Tube |  |                                       |

See Installation Page for More Information.

\*Shelf is restricted to wrapped or packaged food only.

\* Approval Drawings Required

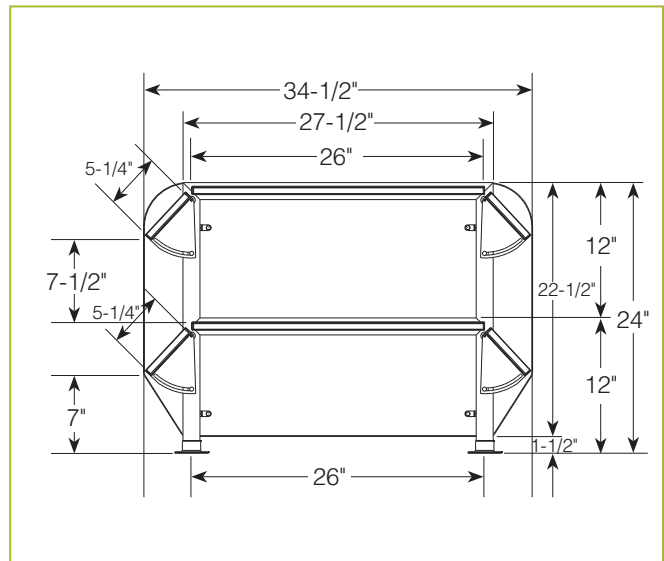
Specifications subject to change without notice.

## DECO-820-N

Self-Serve Double-Sided, Two-Tier Food Shield



Shown without end panels.



To meet NSF guidelines, end panels are included on all BSI quotations unless specifically excluded.

Shipped Fully Assembled

## LIGHT AND WARMER OPTIONS

- |   |
|---|
| <input type="checkbox"/> LED Light Unit   |
| <input type="checkbox"/> Linear T-5 Fluorescent Unit  |
| <input type="checkbox"/> BSI Stealth™ Linear Heat Only Unit                                 |
| <input type="checkbox"/> BSI Stealth™ Linear Heat and Light Combo Unit (Fluorescent)        |
| <input type="checkbox"/> BSI Stealth™ Linear Heat and Light Combo Unit (LED)                |
| <input type="checkbox"/> BSI Stealth™ Linear Double Heat and Light Combo Unit (Fluorescent) |
| <input type="checkbox"/> BSI Stealth™ Linear Double Heat and Light Combo Unit (LED)         |
| <input type="checkbox"/> Hatco® Brand Heat Only Unit  |
| <input type="checkbox"/> Hatco® Brand Heat and Light Combo Unit                             |

Structural enhancements or mounting might be required to support heat light options.