

GENERAL INFORMATION

Project Name: _____
Item: _____
Quantity: _____
Model: _____ HSD
Length: _____

DESCRIPTION

Meet the latest health department requirements with minimal impact on space requirements. The BSI HSD allows hand sinks to be spaced closely throughout prep areas and server counters without consuming valuable counter-top space. The HSD module is designed to be easily integrated into new fabrication or retro-fitted into existing equipment.

GENERAL SPECIFICATION

Materials

- 16-Gauge Brushed Finish Type 304 Stainless Utility Sink Top, Tub and Front Splash Panel
- 18-Gauge Brushed Finish Type 304 Stainless Hand Sink and Body Panels

Construction

- NSF Standard 2 Construction
- Fully Welded Covered Corner Sinks
- 3/4" Mounting Flange with Stud Holes every 4"

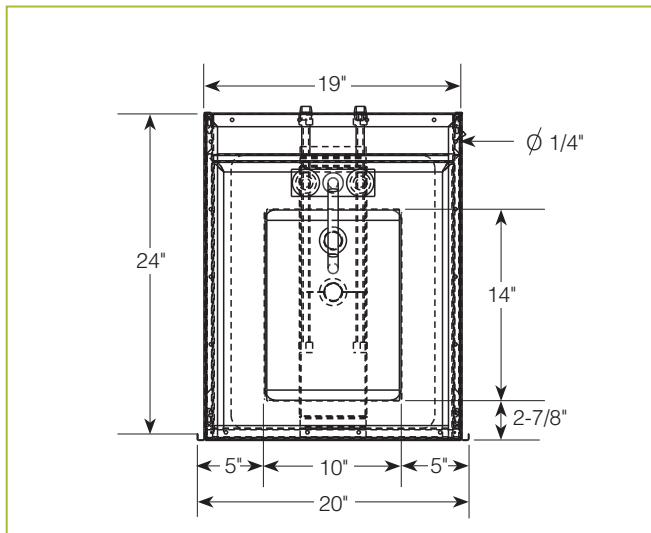
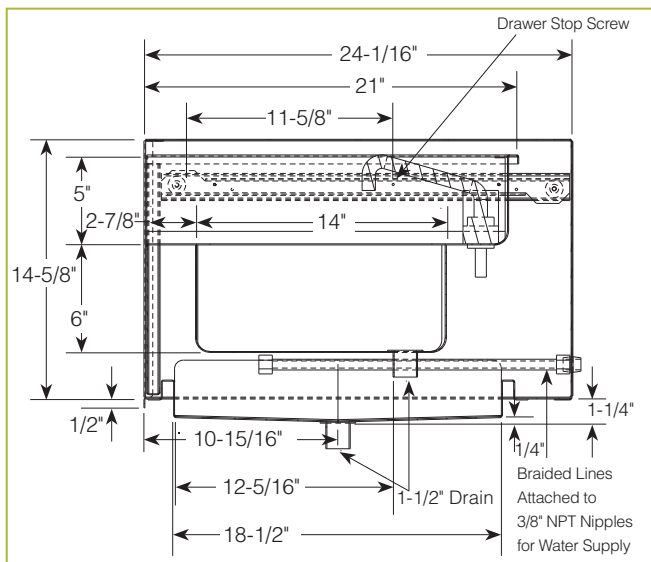
SINK FAUCET OPTIONS

- Infrared Faucet
- Single Deck Dual Control Faucet with 6" Swing Spout
- Customer Supplied Faucet
 Make _____ Model _____

This unit can be plumbed in the field to a floor drain if available or to a 1-1/2" drain pipe. 1/2" MPT for cold water connection only with less than 45 psi.

HSD

Hand Sink Drawer



* Approval Drawings Required