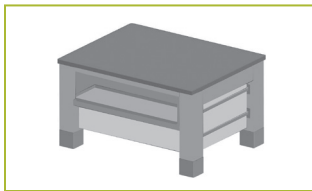
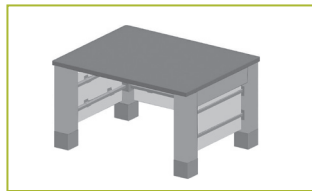
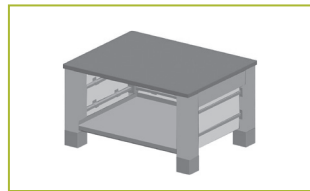


🔍 QUICK REFERENCE GUIDE

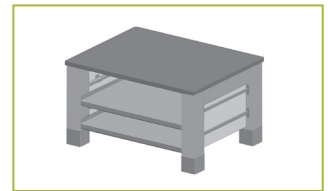
CS-ES-1



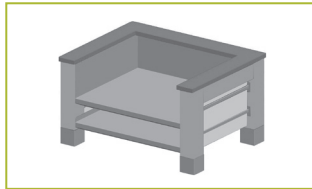
CS-ES-2



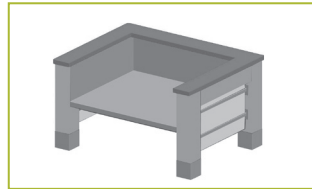
CS-ES-3



CS-ES-4



CS-ES-5



CS-ES-6

GENERAL INFORMATION

Project Name: _____
 Item: _____
 Quantity: _____
 Model: _____
 Length: _____

DESCRIPTION

Ideal for straight runs of counter, Euro+Serve is a great alternative construction method when a more traditional look is desired.

GENERAL SPECIFICATION

- 5" Square Hardwood Base with 3" High Square Adjustable Stainless Feet
- 3/4" Medium-Density Polyvancore Front and End Panels
- 1/2" Black Reveal Between Base Frame and Top
- 34" Overall Height (ADA Requires Optional Tray Rest)
- 16-GA Bottom Shelf
- 14-GA Galvanized Bottom Channels
- 1" Stainless Tubing Support Structure

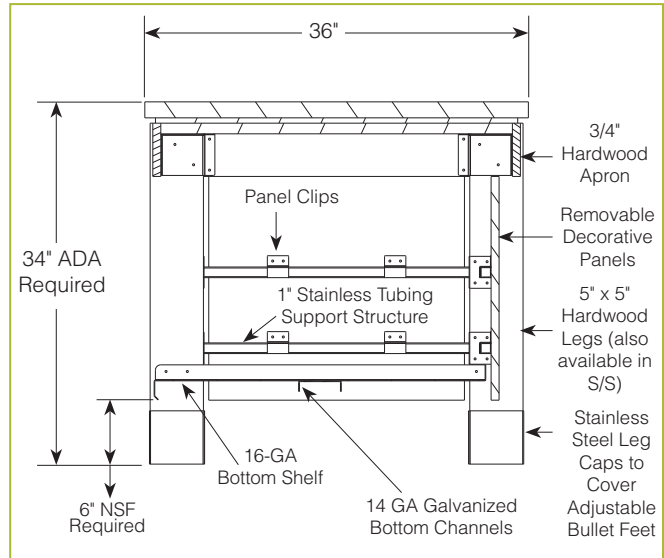
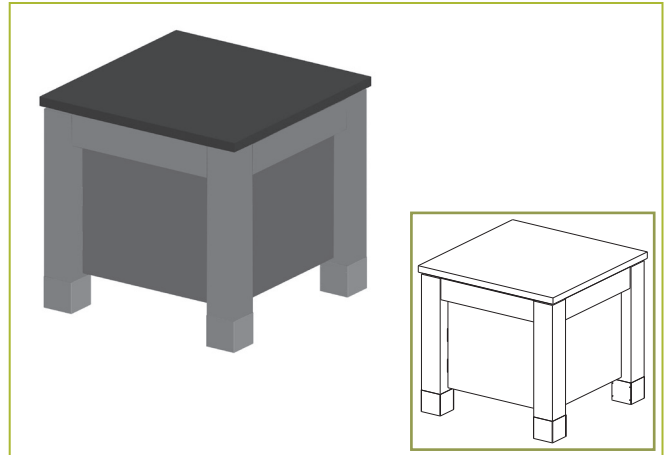
CONSTRUCTION OPTIONS

- CS-ES-1: Single half-shelf
- CS-ES-2: Open rear
- CS-ES-3: Full bottom shelf
- CS-ES-4: Two full shelves
- CS-ES-5: Two full shelves and open top
- CS-ES-6: Single full shelf and open top

ADDITIONAL OPTIONS

- Concealed Casters

EURO+SERVE® CONSTRUCTION



For Custom Decorative Details see the following detail pages:

- Tray Slide Options
- Millwork Counter Tops
- Exterior Panel Options

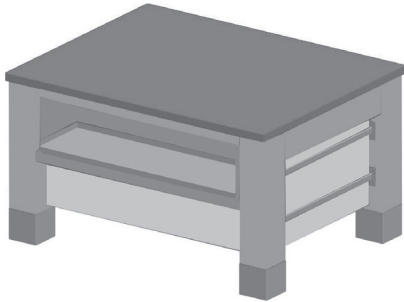
Basic frame construction is NSF Certified and UL Listed. The use of different construction materials may affect these certifications.

* Approval Drawings Required

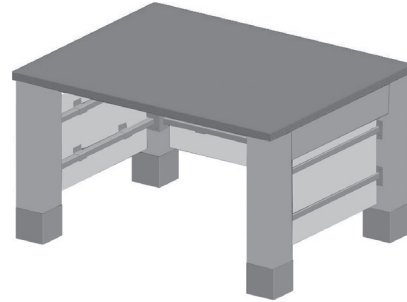
Printed in the U.S.A. (April 2017) BSI, LLC
 Specifications subject to change without notice.

Rv. 6

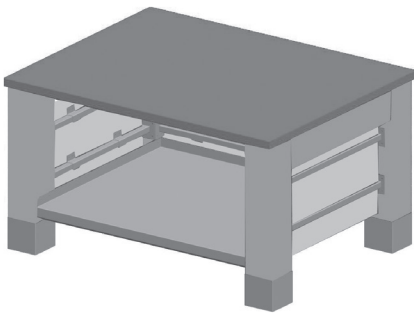


EURO+SERVE® CONSTRUCTION - SHOWN WITH OPTIONS**CS-ES-1**

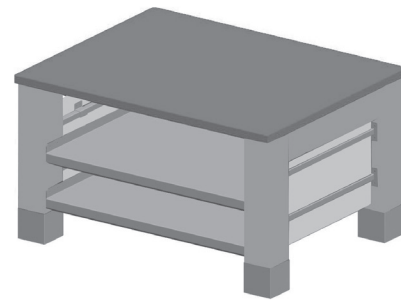
Shown with single half-shelf.

**CS-ES-2**

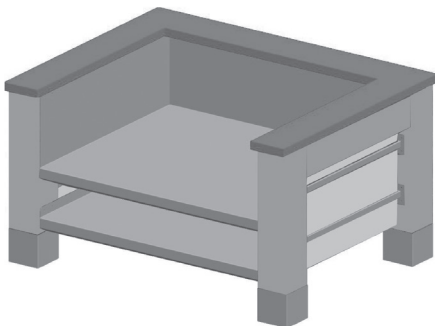
Shown with open rear.

**CS-ES-3**

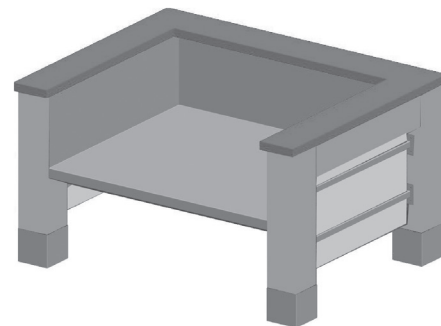
Shown with full bottom shelf.

**CS-ES-4**

Shown with two full shelves.

**CS-ES-5**

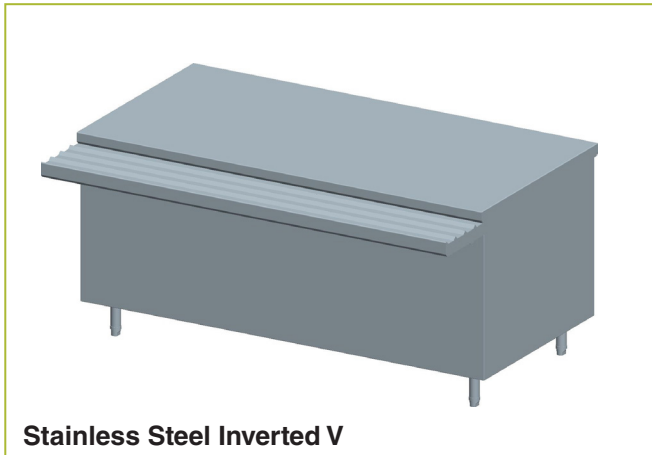
Shown with two full shelves and open top.

**CS-ES-6**

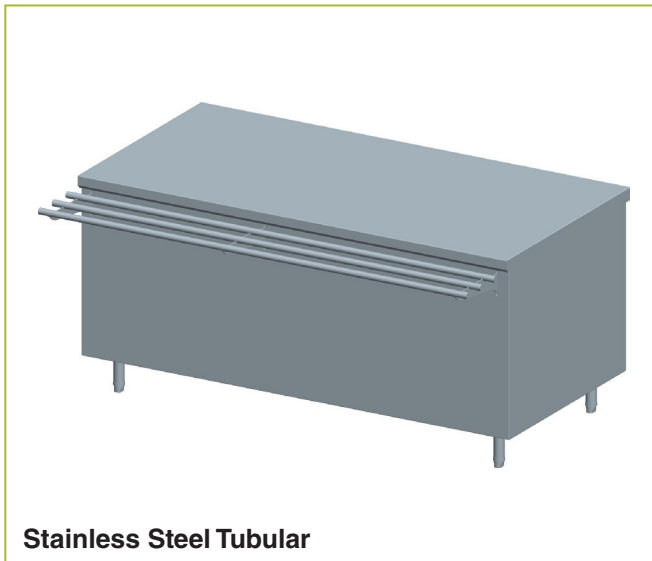
Shown with single full shelf and open top.

TRAY SLIDE OPTIONS

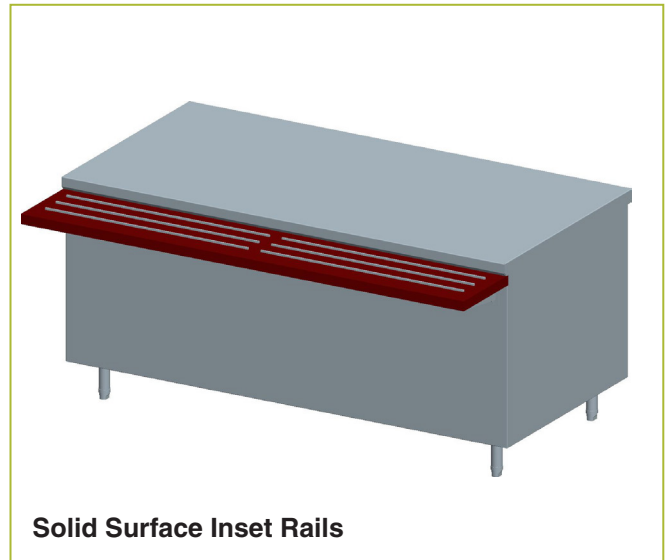
All BSI counter constructions can adapt all available tray slide options. Below are the five standard tray slides.



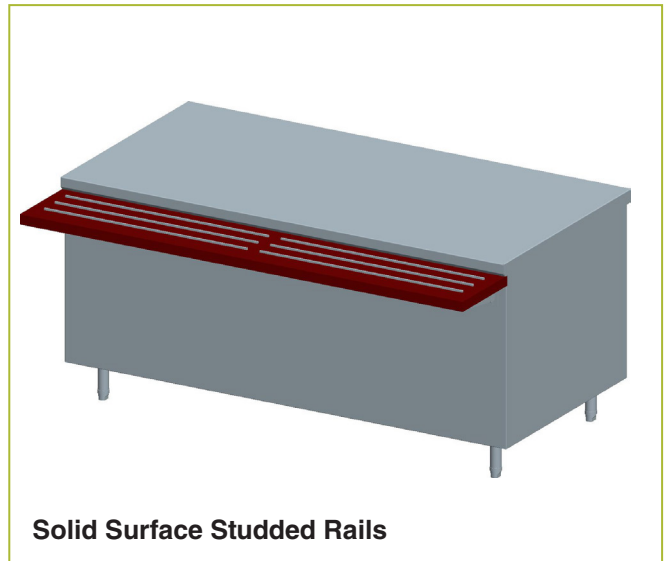
Stainless Steel Inverted V



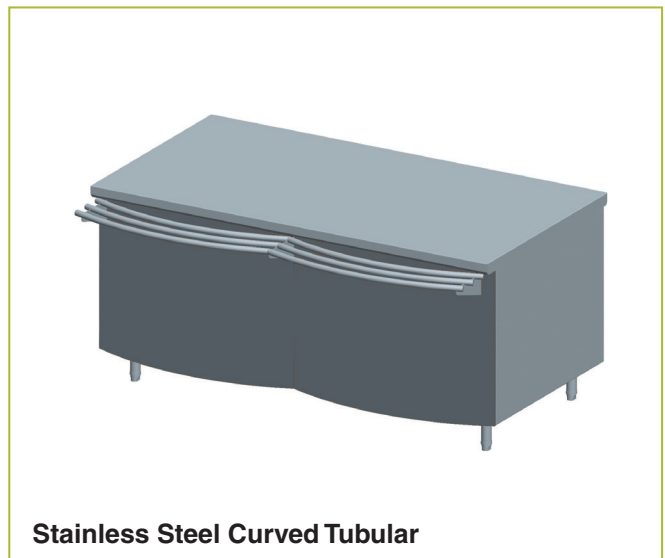
Stainless Steel Tubular



Solid Surface Inset Rails



Solid Surface Studded Rails



Stainless Steel Curved Tubular

OPTIONS

- Stainless Steel Inverted V
- Stainless Steel Tubular
- Solid Surface Inset Rails
- Solid Surface Studded Rails
- Stainless Steel Curved Tubular
- Other _____

COUNTER TOP OPTIONS

All BSI counter constructions can adapt all available counter top options. Below are the five standard counter tops.



3cm Quartz Sample



Solid Surface Sample



Stainless Steel Sample



Natural Stone Sample

OPTIONS

- 3cm Quartz (Engineered Stone)
- Solid Surface (i.e. Corian with Millwork Substrate)
- Stainless Steel
- Natural Stone (i.e. Granite or Marble)
- Plastic Laminate (Millwork Substrate)
- Other _____