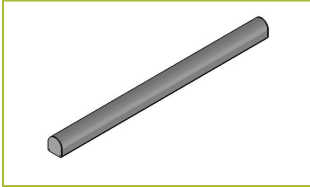
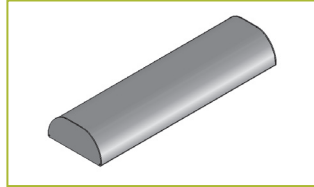


QUICK REFERENCE GUIDE

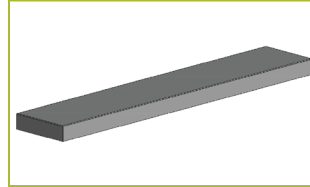


Light - 2580



Heat/Light
Combo - 705

Warmer - 790



Heat/Light/Heat
Combo- 500

GENERAL INFORMATION

Project Name: _____

STANDARD SPECIFICATIONS

- Finish: Gray
- Remote Toggle Switch
- Housing: Aluminum Extrusion

OPTIONS AND ACCESSORIES

OPTIONAL FINISHES

- Brushed Aluminum
- Gloss Black
- Wrinkle Black
- Smoked Copper
- Polished Brass
- Other: _____

OPTIONAL SWITCH

- Internal Toggle Switch

WIRING EXIT POINT OPTIONS

- Top
- Left Side
- Right Side

INFORMATION FOR LED BULB

Temperature	3000K
Average Rated Life (hr):	50,000
Color Rendering Index (CRI)	90
Diodes	50 per foot
Electrical	110-250V
Frequency	50/60Hz
Amp Per Foot @ 100V	0.04
Watts Per Foot	5
Lumens Per Foot	400

BALLAST INFORMATION - LED

HOUSING LENGTH*	MODULE LENGTH	FREQUENCY	AMPS @ 120V	AMPS @ 208V	AMPS @240V	WATTS
15"-20"	12"	50/60 Hz	0.042	0.024	0.021	5W
21"-26"	18"	50/60 Hz	0.058	0.034	0.029	7W
27"-32"	12" & 12"	50/60 Hz	0.083	0.048	0.042	10W
33"-38"	12" & 18"	50/60 Hz	0.1	0.058	0.05	12W
39"-44"	36"	50/60 Hz	0.125	0.072	0.063	15W
45"-50"	12" & 18"	50/60 Hz	0.142	0.082	0.071	17W
51"-56"	48"	50/60 Hz	0.167	0.096	0.083	20W

* Rounded up to the nearest foot.

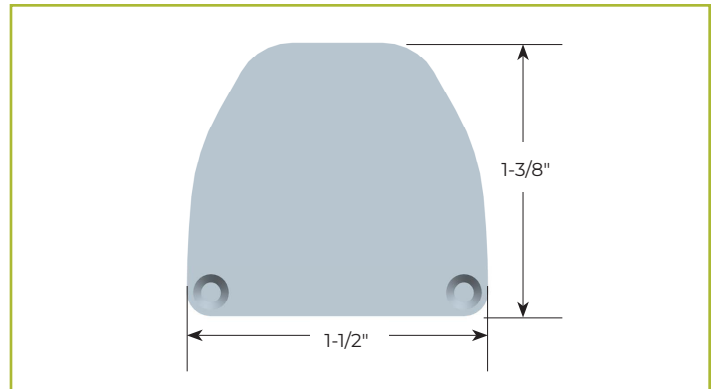
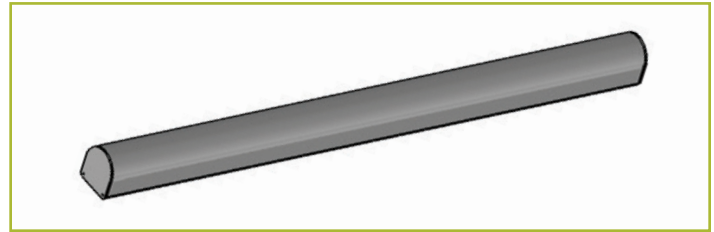
Larger Sizes: BSI will configure bulb combinations to best fit housing.

Approval Drawings Required



01.25

2580 LED Slimline Light



GENERAL INFORMATION

Project Name: _____

STANDARD SPECIFICATIONS

- Finish: Gray
- Remote Infinite Switch
- Housing: Aluminum Extrusion

OPTIONS AND ACCESSORIES

OPTIONAL FINISHES

- Gloss Black

Warmer housing is an aluminum extrusion. The housing for warmers is only available in grey or gloss black. Please contact BSI for further information.

WIRING EXIT POINT OPTIONS

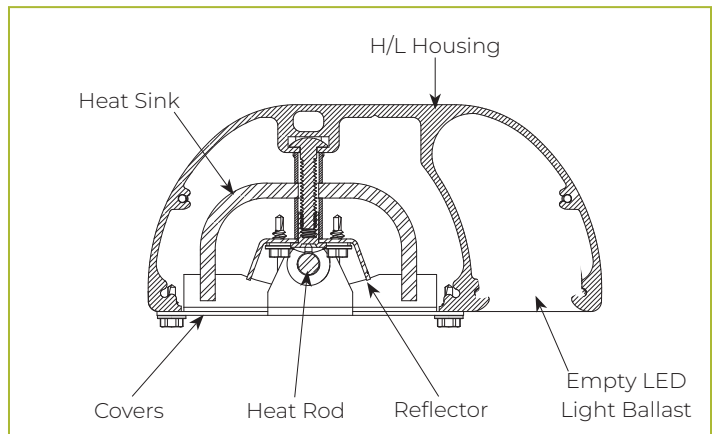
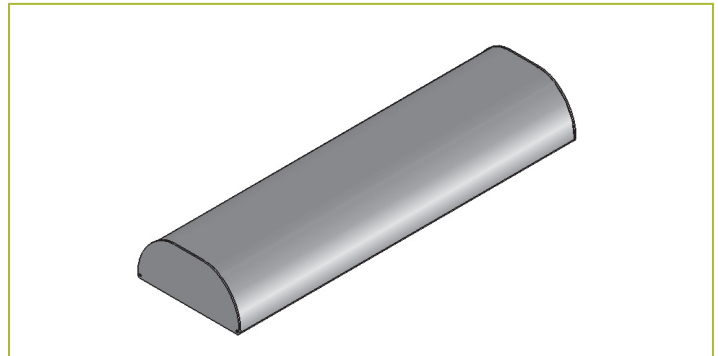
- Top
- Left Side
- Right Side

MODEL NUMBER	OA HOUSING	VOLTS	FREQ.	AMPS @110V	WATTS
790-120-18	22"-27"	120	50/60Hz	2.9	350
790-120-24	28"-33"	120	50/60Hz	4.2	500
790-120-30	34"-39"	120	50/60Hz	5.5	660
790-120-36	40"-45"	120	50/60Hz	6.7	800
790-120-42	46"-51"	120	50/60Hz	7.9	950
790-120-48	52"-57"	120	50/60Hz	9.2	1100
790-120-54	58"-63"	120	50/60Hz	10.4	1250
790-120-60	64"-69"	120	50/60Hz	11.7	1400
790-120-66	70"-75"	120	50/60Hz	13.0	1560
790-120-72	76"-81"	NOT AVAILABLE IN 120 VOLTS			

MODEL NUMBER	OA HOUSING	VOLTS	FREQ.	AMPS @110V	WATTS
790-208-18	22"-27"	NOT AVAILABLE IN 208 VOLTS			
790-208-24	28"-33"	208	50/60Hz	2.4	500
790-208-30	34"-39"	208	50/60Hz	3.2	660
790-208-36	40"-45"	208	50/60Hz	3.9	800
790-208-42	46"-51"	208	50/60Hz	4.6	950
790-208-48	52"-57"	208	50/60Hz	5.3	1100
790-208-54	58"-63"	208	50/60Hz	6.0	1250
790-208-60	64"-79"	208	50/60Hz	6.7	1400
790-208-66	70"-75"	208	50/60Hz	7.5	1560
790-208-72	76"-81"	208	50/60Hz	8.3	1725

790

Stealth Warmer



MODEL NUMBER	OA HOUSING	VOLTS	FREQ.	AMPS @110V	WATTS
790-240-18	22"-27"	NOT AVAILABLE IN 240 VOLTS			
790-240-24	28"-33"	240	50/60Hz	2.1	500
790-240-30	34"-39"	240	50/60Hz	2.8	660
790-240-36	40"-45"	240	50/60Hz	3.3	800
790-240-42	46"-51"	240	50/60Hz	3.9	950
790-240-48	52"-57"	240	50/60Hz	4.6	1100
790-240-54	58"-63"	240	50/60Hz	5.2	1250
790-240-60	64"-69"	240	50/60Hz	5.8	1400
790-240-66	70"-75"	240	50/60Hz	6.5	1560
790-240-72	76"-81"	240	50/60Hz	7.2	1725

GENERAL INFORMATION

Project Name: _____

STANDARD SPECIFICATIONS

- Finish: Gray
- Remote Infinite Switch
- Housing: Aluminum Extrusion

OPTIONS AND ACCESSORIES

OPTIONAL FINISHES

- Gloss Black

Light/Warmer housing is an aluminum extrusion. The housing for warmers is only available in grey or gloss black. Please contact BSI for further information.

OPTIONAL SWITCH

- Remote Switch
- Indicator Light
- Internal Control

WIRING EXIT POINT OPTIONS

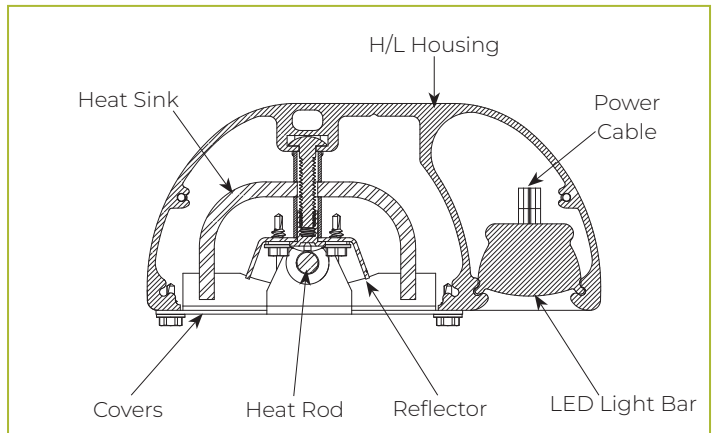
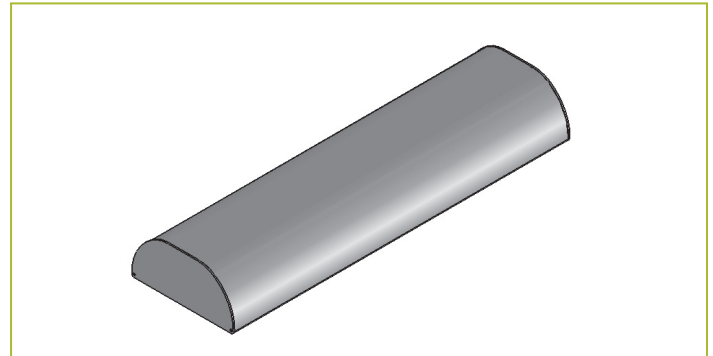
- Top
- Left Side
- Right Side

INFORMATION FOR LED BULB

Temperature	3000K
Average Rated Life (hr):	50,000
Color Rendering Index (CRI)	90
Diodes	50 per foot
Electrical	110-250V
Frequency	50/60Hz
Amp Per Foot @ 100V	0.04
Watts Per Foot	5
Lumens Per Foot	400

705

Stealth Light & Warmer Combo



TABLES SHOWN WITH STANDARD LED LIGHT POWER REQUIREMENTS.

MODEL NUMBER	OA HOUSING	VOLTS (Light)*	FREQ.	AMPS	WATTS
705-120-18	22"-27"	120 (120)	50/60Hz	2.96	357
705-120-24	28"-33"	120 (120)	50/60Hz	4.28	510
705-120-30	34"-39"	120 (120)	50/60Hz	5.60	672
705-120-36	40"-45"	120 (120)	50/60Hz	6.83	815
705-120-42	46"-51"	120 (120)	50/60Hz	8.04	967
705-120-48	52"-57"	120 (120)	50/60Hz	9.37	1120
705-120-54	58"-63"	120 (120)	50/60Hz	10.58	1272
705-120-60	64"-69"	120 (120)	50/60Hz	11.91	1425
705-120-66	70"-75"	120 (120)	50/60Hz	13.2	1587
705-120-72	76"-81"	NOT AVAILABLE IN 120 VOLTS			

MODEL NUMBER	OA HOUSING	VOLTS (Light)*	FREQ.	AMPS	WATTS
705-208-18	22"-27"	NOT AVAILABLE IN 208 VOLTS			
705-208-24	28"-33"	208 (120)	50/60Hz	2.48	510
705-208-30	34"-39"	208 (120)	50/60Hz	3.30	672
705-208-36	40"-45"	208 (120)	50/60Hz	4.03	815
705-208-42	46"-51"	208 (120)	50/60Hz	4.74	967
705-208-48	52"-57"	208 (120)	50/60Hz	5.47	1120
705-208-54	58"-63"	208 (120)	50/60Hz	6.18	1272
705-208-60	64"-69"	208 (120)	50/60Hz	6.91	1425
705-208-66	70"-75"	208 (120)	50/60Hz	7.73	1587
705-208-72	76"-81"	208 (120)	50/60Hz	8.55	1755

*Note: Light will not operate at 208V or 240V.

705

Stealth Light & Warmer Combo

MODEL NUMBER	OA HOUSING	VOLTS (Light)*	FREQ.	AMPS	WATTS
705-240-18	22"-27"	NOT AVAILABLE IN 240 VOLTS			
705-240-24	28"-33"	240 (120)	50/60Hz	2.18	510
705-240-30	34"-39"	240 (120)	50/60Hz	2.90	672
705-240-36	40"-45"	240 (120)	50/60Hz	3.43	815
705-240-42	46"-51"	240 (120)	50/60Hz	4.04	967
705-240-48	52"-57"	240 (120)	50/60Hz	4.77	1120
705-240-54	58"-63"	240 (120)	50/60Hz	5.38	1272
705-240-60	64"-69"	240 (120)	50/60Hz	6.01	1425
705-240-66	70"-75"	240 (120)	50/60Hz	6.73	1587
705-240-72	76"-81"	240 (120)	50/60Hz	7.45	1755

GENERAL INFORMATION

Project Name: _____

STANDARD SPECIFICATIONS

- Finish: Gray
- Remote Infinite Switch
- Housing: Aluminum Extrusion

OPTIONS AND ACCESSORIES

OPTIONAL FINISHES

- Gloss Black

Heat/Light/Heat housing is an aluminum extrusion. The housing for warmers is only available in grey or gloss black. Please contact BSI for further information.

OPTIONAL SWITCH

- Remote Switch
- Indicator Light
- Internal Control

Double unit requires two infinite controls, one per heat rod.

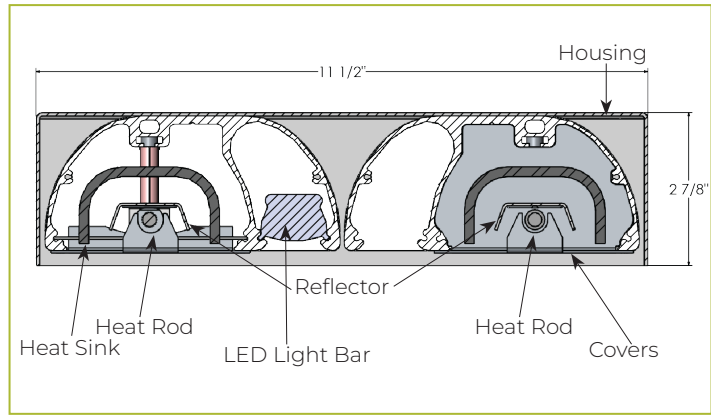
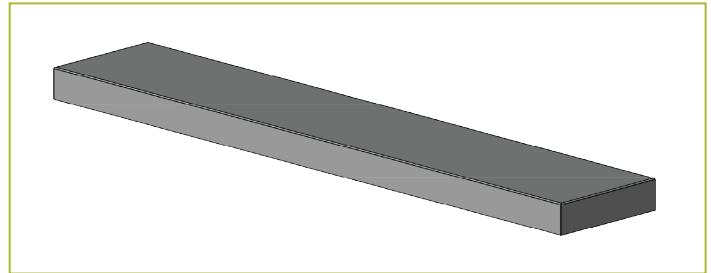
WIRING EXIT POINT OPTIONS

- Top
- Left Side
- Right Side

INFORMATION FOR LED BULB	
Temperature	3000K
Average Rated Life (hr):	50,000
Color Rendering Index (CRI)	90
Diodes	50 per foot
Electrical	110-250V
Frequency	50/60Hz
Amp Per Foot @ 100V	0.04
Watts Per Foot	5
Lumens Per Foot	400

500

Stealth Heat/Light/Heat Combo



TABLES SHOWN WITH STANDARD LED LIGHT POWER REQUIREMENTS.

MODEL NUMBER	OA HOUSING	VOLTS (Light)*	FREQ.	AMPS CIRCUIT 1	AMPS CIRCUIT 2	WATTS
500-120-18	22"-27"	120 (120)	50/60Hz	5.86	N/A	707
500-120-24	28"-33"	120 (120)	50/60Hz	8.48	N/A	1010
500-120-30	34"-39"	120 (120)	50/60Hz	11.10	N/A	1332
500-120-36	40"-45"	120 (120)	50/60Hz	6.83	6.70	1615
500-120-42	46"-51"	120 (120)	50/60Hz	8.04	7.90	1917
500-120-48	52"-57"	120 (120)	50/60Hz	9.37	9.20	2220
500-120-54	58"-63"	120 (120)	50/60Hz	10.58	10.40	2522
500-120-60	64"-69"	120 (120)	50/60Hz	11.91	11.70	2825
500-120-66	70"-75"	120 (120)	50/60Hz	13.23	13.00	3147
500-120-72	76"-81"	NOT AVAILABLE IN 120 VOLTS				

MODEL NUMBER	OA HOUSING	VOLTS (Light)*	FREQ.	AMPS CIRCUIT 1	AMPS CIRCUIT 2	WATTS
500-208-18	22"-27"	NOT AVAILABLE IN 208 VOLTS				
500-208-24	28"-33"	208 (120)	50/60Hz	4.88	N/A	1010
500-208-30	34"-39"	208 (120)	50/60Hz	6.50	N/A	1332
500-208-36	40"-45"	208 (120)	50/60Hz	7.93	N/A	1615
500-208-42	46"-51"	208 (120)	50/60Hz	9.34	N/A	1917
500-208-48	52"-57"	208 (120)	50/60Hz	10.77	N/A	2220
500-208-54	58"-63"	208 (120)	50/60Hz	12.18	N/A	2522
500-208-60	64"-69"	208 (120)	50/60Hz	13.61	N/A	2825
500-208-66	70"-75"	208 (120)	50/60Hz	7.73	7.50	3147
500-208-72	76"-81"	208 (120)	50/60Hz	8.55	8.30	3480

MODEL NUMBER	OA HOUSING	VOLTS (Light)*	FREQ.	AMPS	WATTS
500-240-18	22"-27"	NOT AVAILABLE IN 240 VOLTS			
500-240-24	28"-33"	240 (120)	50/60Hz	4.28	1010
500-240-30	34"-39"	240 (120)	50/60Hz	5.70	1332
500-240-36	40"-45"	240 (120)	50/60Hz	6.73	1615
500-240-42	46"-51"	240 (120)	50/60Hz	7.94	1917
500-240-48	52"-57"	240 (120)	50/60Hz	9.37	2220
500-240-54	58"-63"	240 (120)	50/60Hz	10.58	2522
500-240-60	64"-69"	240 (120)	50/60Hz	11.81	2825
500-240-66	70"-75"	240 (120)	50/60Hz	13.23	3147
500-240-72	76"-81"	240 (120)	50/60Hz	14.65	3480

*Note: Light will not operate at 208V or 240V.

Approval Drawings Required

