



The one-source solution for all of your mobile and stand-alone food service needs.

FOOD SERVICE ON ANY SCALE

The company you know for on-site serving solutions has gone mobile with turnkey, fully customizable carts and kiosks. Whether you need a supplementary cart for an existing foodservice outlet or a comprehensive offering that includes all facets for your foodservice operation, Mobius provides a one-stop solution for a broad spectrum of menu, beverage and retail offerings.

MOBIUS SOLUTIONS

- Hot & Cold Food Carts & Kiosks
- Beverage Carts
- Ice Cream & Frozen Novelty Carts
- Condiment Stations
- Sink & Support Carts
- Merchandise Carts



WHY MOBIUS?

Stadiums, arenas, hotels and non-commercial foodservice operations across North America rely on Mobius carts and kiosks to support their hospitality offerings. As part of the greater Food Service Holdings family of brands, we are uniquely equipped to offer expertly executed carts, kiosks and relocatable stations, leveraging our decades of experience in design and fabrication. Combined with our manufacturer relationships and consultant design resources, Mobius carts can bring your vision to life and provide new avenues for generating revenue.



CUSTOM HOT & COLD FOODSERVICE KIOSKS

- In-house design, engineering and fabrication
- Renderings and 3D drawings provided in the pre-production process
- Built to NSF Standard 59 for custom carts and kiosks used both outdoors and indoors.



MOBIUS CART OPTIONS

Our approach to Mobius cart design offers you countless configurations no matter your application. Choose from numerous exterior laminate and counter top materials, and pair them with custom awnings and graphics to draw a crowd.

BEVERAGE CART



SMOOTHIE CART



SOFT SERVE CART



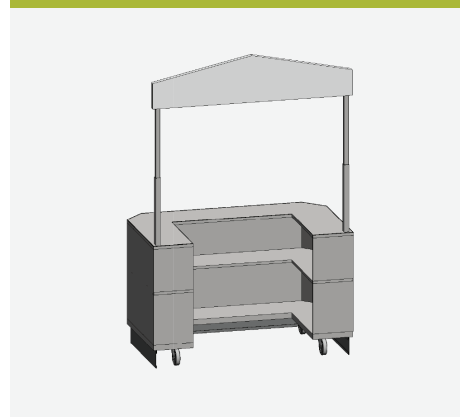
COFFEE CART



HOT-COLD CART



INFORMATION CART



MOBIUS CART AND KIOSK ADD-ONS

These are just a sampling of the elements you can add to your cart configuration to take your foodservice operation outside of the kitchen.

Equipment Options

- Food Shields
- Sinks
- Hot/Cold Wells
- Ice Bins

OEM Equipment Options

- Refrigeration
- Beverage Dispensers
- Hot Hold Cabinets
- Grill Top
- Popcorn Popper

Finish Options

- Display Cases
- Countertop Shelving
- Undercounter Shelving
- Fold-Down Exterior Shelving
- Cabinets
- Electrical Outlets
- Signage & Decals
- Digital Menu Board/Signage
- Track Lighting/Spot Lighting
- Recessed Canister Lights
- Awnings
- Telescoping Poles
- Oversized Wheels
- Locking Casters
- Rubber Bumpers
- Push Handles
- Waste Container
- Condiment Dispensers
- Soap Dispensers
- Napkin Dispensers

