



Creating Distance to Bring Us Together



Reinventing Foodservice



During this challenging period, we're all working to create safer on-site dining experiences that add distance while re-establishing the inherently social setting of serveries.

In response to these unprecedented times, BSI has engineered solutions that are affordable and flexible for both temporary and permanent use.



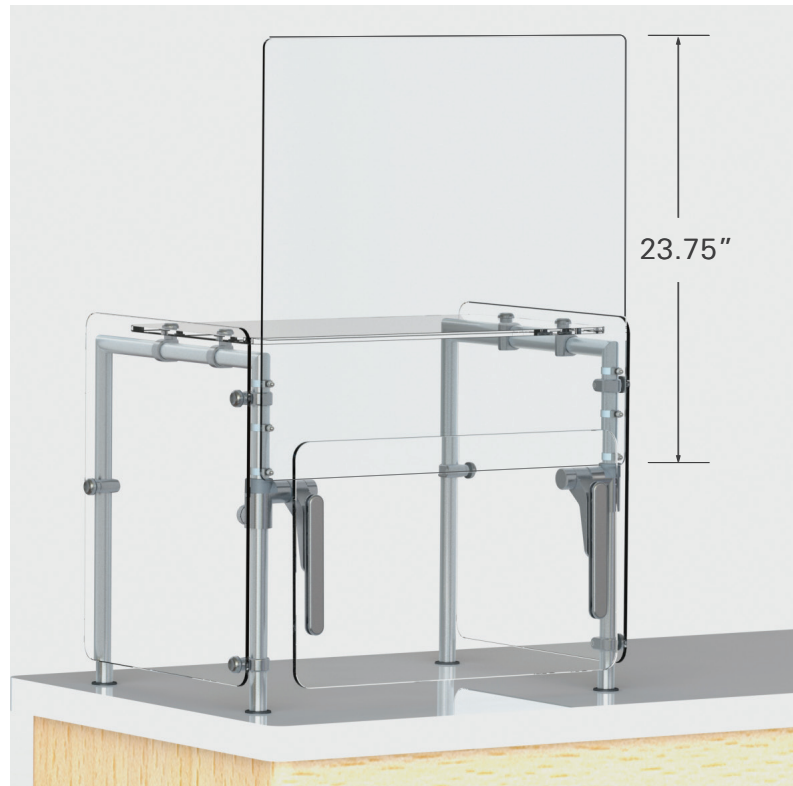
Retrofit Kits



Have a salad bar, buffet or self-serve venue you are hesitant or unable to utilize—due to COVID-19 and new regulations? Not to worry! BSI's new Retrofit Kits enable existing self-serve food shields to be easily converted to full-service! These turnkey solutions are customizable to support your existing footprint, simple to install and ideal for both immediate, long-term use.

Benefits

- Easily install above existing guard with unique clip system
- Affordable solution to keep your servery open and generating revenue
- Simple to remove without damaging existing food shield
- Customizable to existing layout with fit and clearance digitally verified
- Retrofit Kits fit most BSI food shield footprints



Protective Shields



Safety partitions are rapidly becoming standard equipment at cashier and point-of-sale stations, reception and administrative desks and any location whereby staff and customers congregate and interact.



PORTABLE PLEXIGLASS SHIELD

A portable, stylized safety partition ideal for protecting individuals in any environment.

Features

- Available in lengths of 24", 36", 48"
- Standard height is 36"
- Standard base is 10"
- Pass through cutout available



VERTICAL FIXED SHIELD

Safety partition solution for locations needing sophisticated design and a protective barrier.

Features

- Available in lengths of 24", 36", 48"
- Standard height is 36"
- Standard base is 8"
- Available in glass or plexiglass
- Pass through cutout available



VERTICAL ADJUSTABLE SHIELD

Adjustable guard provides versatility across a variety of applications.

Features

- Available in lengths of 24", 36", 48"
- Standard height is 36"
- Standard base is 12"
- Available in glass or plexiglass

Dining Partitions



Create an environment where customers can enjoy the experience of onsite dining with tabletop dividers from BSI. Promote safety and social distancing with solid or pass-

through designs that adhere to government directives and leave patrons feeling secure at every meal, every day.

Features

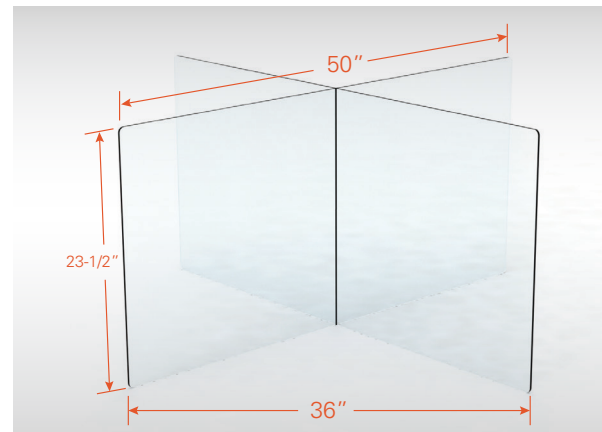
- Supports a multitude of table configurations
- Modular clip option to extend lengths
- Standard partition height: 23-1/2"
- Superior design and quality
- Optional napkin/condiment pass through

Uses

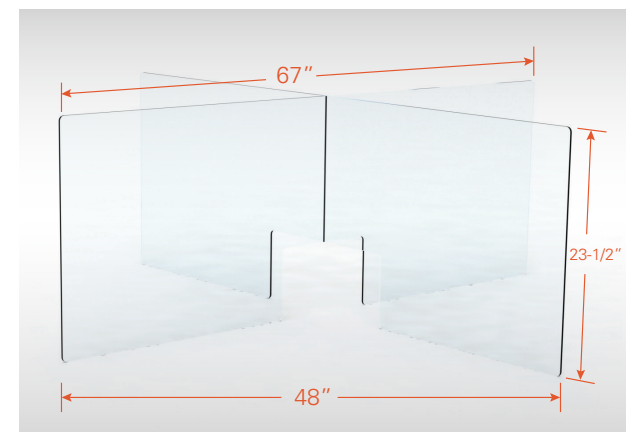
- Lunchroom dividers
- Desk separators
- Transactional guards

Construction

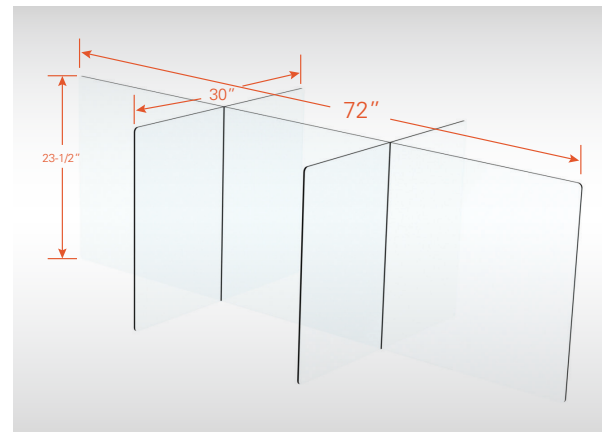
- Plexiglass or polycarbonate (specified at time of order)



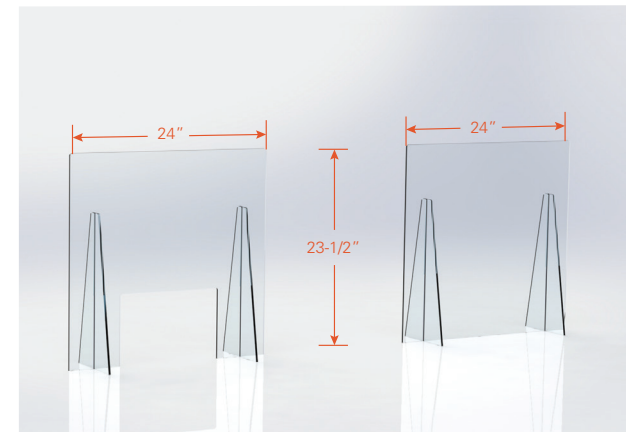
BSI-SDP-A-24 | 36" x 36" Surface Area
BSI-SDP-A-PT-24 | With Pass Through



BSI-SDP-B-24 | 48" x 48" Surface Area
BSI-SDP-B-PT-24 | With Pass Through



BSI-SDP-C-24 | 30" x 72" Surface Area
BSI-SDP-C-PT-24 | With Pass Through



BSI-SDP-D-24 | 24" x 24" Surface Area
BSI-SDP-D-PT-24 | With Pass Through

Rolling Floor Partitions



Create a clearly defined social distancing configuration with the new mobile floor partitions from BSI. The convenient wheeled design allows you to easily position the dividers throughout your facility and relocate them as your needs change. Constructed of clear acrylic or polycarbonate, the transparency allows you to monitor activity while maintaining a feeling of community amongst your patrons, customers or staff. Partitions are available in standard 48"x72" panels with custom options available.

Features

- Safely social distance while maintaining a sense of community
- Take the human element out of defining direction and spacing
- Avoid congestion and promote efficient movement throughout a venue
- Mobile design allows you to reposition as needs change

Uses

- Line Queues
- Workspace Separation
- Hallway Dividers
- Dining Partitions

Construction

- 1" Stainless Steel Tubing
- ¼" Clear Acrylic or Polycarbonate
- Locking Brake Casters or Stationary Legs



48"W x 72"H.



80"W x 72"H.



BSI, LLC.
601 E. 64th Ave., Bldg. A
Denver, Colorado 80229

800.662.9595
www.bsidesigns.com