



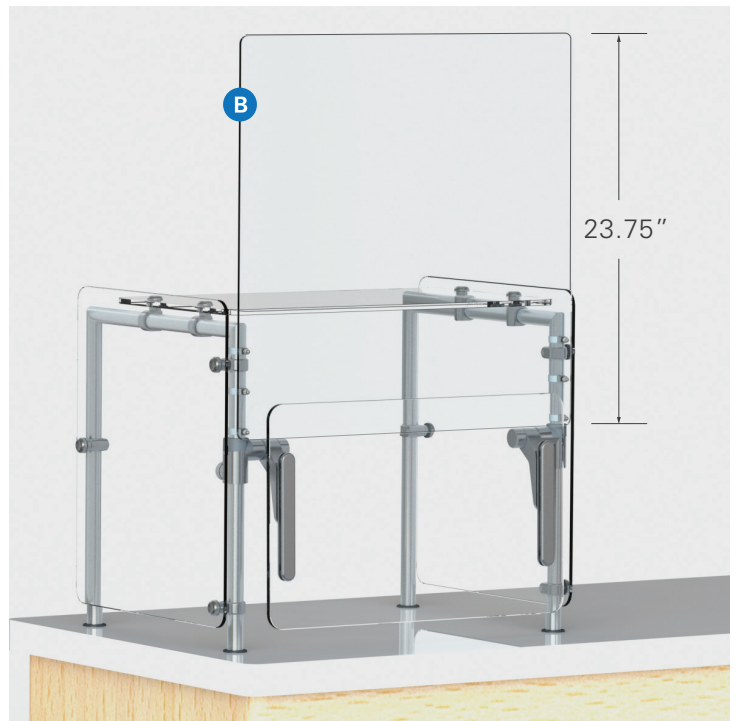
RETROFIT KITS

Reinventing
the Foodservice
Experience



Don't let your beautiful, in-demand foodservice outlets sit idle or be underutilized... we're here to help.

Have a salad bar, buffet or self-serve venue you are hesitant or unable to utilize, due to COVID-19 and new regulations? Not to worry! BSI's new Retrofit Kits enable existing self-serve food shields to be easily converted to full-service! These turnkey solutions are customizable to support your existing footprint, simple to install and ideal for both immediate, as well as long term use.



Both the 6" (A) and 23.75" (B) Acrylic and polycarbonate Retrofit Kits are designed to work with existing food shields and transform self-serve into full-service quickly and easily. Compatible with most 1" BSI guards; contact Factory for 1-1/2" post options or alternate needs.

BENEFITS

- Seamless installation
- Unique clip-system enables staff to easily affix to existing guards
- Customizable to existing layout with fit and clearance digitally verified
- Affordable, while also maximizing revenue generating capabilities
- Flexibility to incorporate or remove as needed
- Retrofit Kits are compatible and customized to fit most BSI food shield footprints