

**QUICK REFERENCE GUIDE**

BSI-PW



BSI-PF



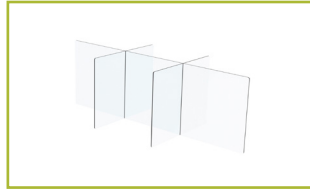
BSI-PA



BSI-SDP-A-24



BSI-SDP-B-24



BSI-SDP-C-24



BSI-SDP-D-24



BSI-RFP

## GENERAL INFORMATION

**Project Name:** \_\_\_\_\_  
**Item:** \_\_\_\_\_  
**Quantity:** \_\_\_\_\_  
**Model:** BSI-PW  
**Length:** \_\_\_\_\_

## GENERAL SPECIFICATION

### Materials

- 1/4" Plexiglass

### Construction

- Interlocking Plexiglass Divider
- Available in lengths of 24", 36" or 48"
- Standard height is 36"
- Standard base is 10"
- Optional pass through under cutout may be customized
- PWPT includes pass through

### Shipping

- Two (2) week lead time
- Shipped Flat
- FOB Denver, Shipped by Others
- Bulk orders will be discounted for orders over 100 units
- All bulk units to be shipped to one location for full discount

## MODELS

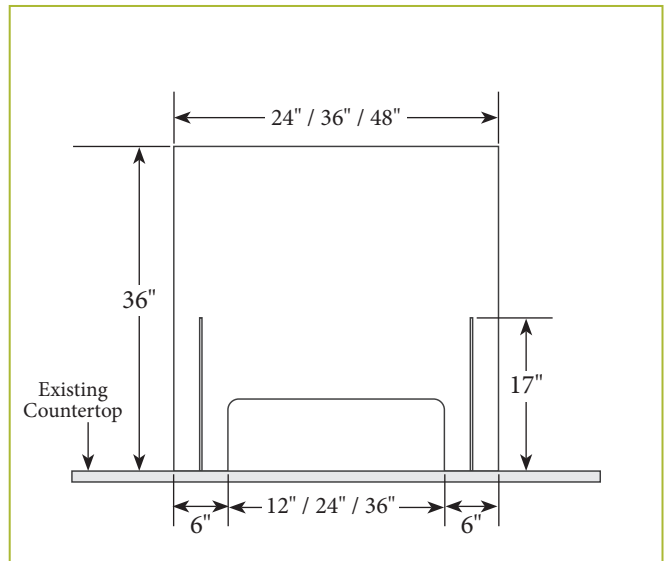
- |                                    |                                      |
|------------------------------------|--------------------------------------|
| <input type="checkbox"/> BSI-PW-24 | <input type="checkbox"/> BSI-PWPT-24 |
| <input type="checkbox"/> BSI-PW-36 | <input type="checkbox"/> BSI-PWPT-36 |
| <input type="checkbox"/> BSI-PW-48 | <input type="checkbox"/> BSI-PWPT-48 |

## BSI-PW

### Portable Plexiglass Food Shield



Shown with pass through option.



## \* Approval Drawings Required

## GENERAL INFORMATION

**Project Name:** \_\_\_\_\_  
**Item:** \_\_\_\_\_  
**Quantity:** \_\_\_\_\_  
**Model:** BSI-PF  
**Length:** \_\_\_\_\_

## GENERAL SPECIFICATION

### Materials

- 1/4" Plexiglass

### Construction

- Stainless steel 1" diameter posts with channel
- Available in lengths of 24", 36" or 48"
- Standard height is 36"
- Standard base is 8"
- Optional pass through under cutout may be customized
- PFPT includes pass through

### Shipping

- Two (2) week lead time
- Shipped Flat
- FOB Denver, Shipped by Others
- Bulk orders will be discounted for orders over 100 units
- All bulk units to be shipped to one location for full discount

## MODELS

- |                                    |                                      |
|------------------------------------|--------------------------------------|
| <input type="checkbox"/> BSI-PF-24 | <input type="checkbox"/> BSI-PFPT-24 |
| <input type="checkbox"/> BSI-PF-36 | <input type="checkbox"/> BSI-PFPT-36 |
| <input type="checkbox"/> BSI-PF-48 | <input type="checkbox"/> BSI-PFPT-48 |

## SHIELD OPTIONS

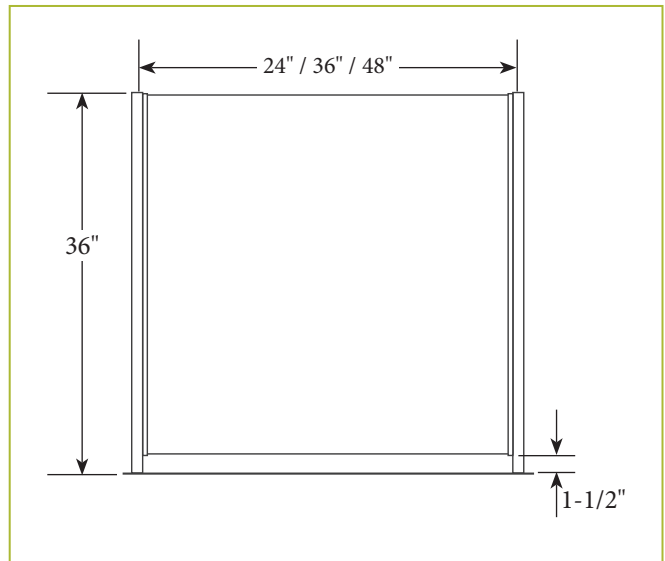
- |   |
|---|
| <input type="checkbox"/> 1/4" Plexiglass (Standard) |
| <input type="checkbox"/> 1/4" Glass                 |

## BSI-PF

### Portable Fixed Plexiglass Food Shield



Shown without pass through option.



**\* Approval Drawings Required**

## GENERAL INFORMATION

**Project Name:** \_\_\_\_\_  
**Item:** \_\_\_\_\_  
**Quantity:** \_\_\_\_\_  
**Model:** BSI-PA  
**Length:** \_\_\_\_\_

## GENERAL SPECIFICATION

### Materials

- 1/4" Plexiglass

### Construction

- Stainless steel 1" diameter posts
- BSI DECO 900 Series Bracket
- Available in lengths of 24", 36" or 48"
- Standard height is 36"
- Standard base is 12"

### Shipping

- Two (2) week lead time
- Shipped Flat
- FOB Denver, Shipped by Others
- Bulk orders will be discounted for orders over 100 units
- All bulk units to be shipped to one location for full discount

## MODELS

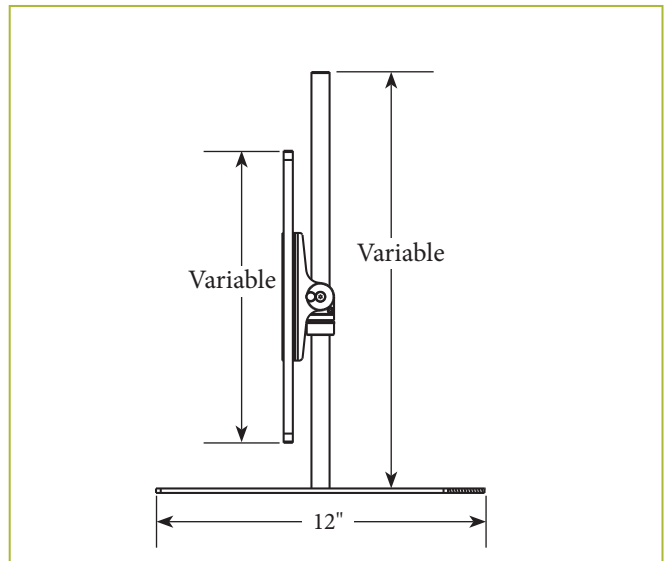
- BSI-PA-24
- BSI-PA-36
- BSI-PA-48

## SHIELD OPTIONS

- 1/4" Plexiglass (Standard)
- 1/4" Glass

## BSI-PA

### Portable Adjustable Plexiglass Food Shield



**\* Approval Drawings Required**

## GENERAL INFORMATION

Project Name: \_\_\_\_\_  
 Item: \_\_\_\_\_  
 Quantity: \_\_\_\_\_  
 Model: BSI-SDP-A-24  
 Length: \_\_\_\_\_

## GENERAL SPECIFICATION

### Materials

- 1/4" Plexiglass

### Construction

- Interlocking Plexiglass Divider
- Standard partition height is 23-1/2"
- Standard size fits 36"x36" table surface area
- Optional napkin/condiment pass through
- PWPT includes pass through
- Pass through height is 8"

### Shipping

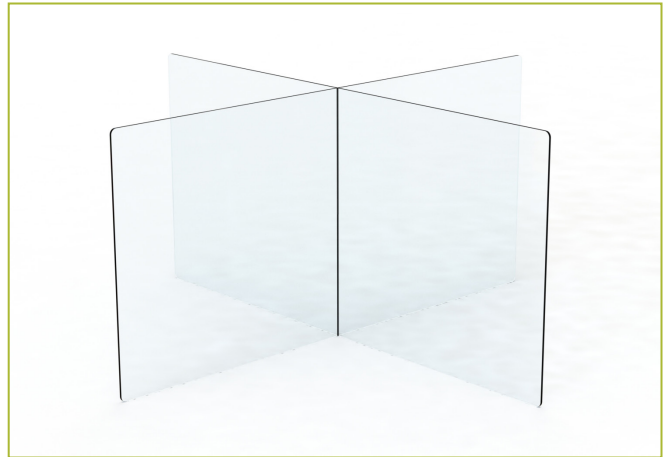
- Two (2) week lead time
- Shipped Flat
- FOB Denver, Shipped by Others
- Bulk orders will be discounted for orders over 100 units
- All bulk units to be shipped to one location for full discount

## MODELS

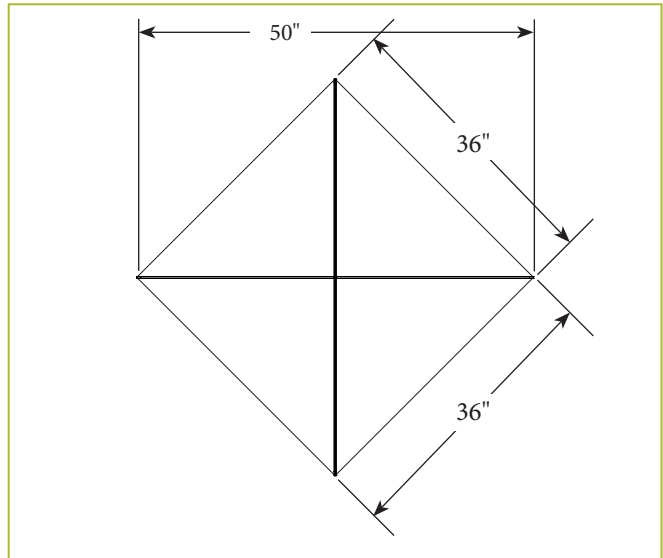
- BSI-SDP-A-24
- BSI-SDP-A-PT-24

## BSI-SDP-A-24

### Portable Plexiglass Table Partition



SDP-A-24



SDP-A-PT-24

**\* Approval Drawings Required**

## GENERAL INFORMATION

Project Name: \_\_\_\_\_  
 Item: \_\_\_\_\_  
 Quantity: \_\_\_\_\_  
 Model: BSI-SDP-B-24  
 Length: \_\_\_\_\_

## GENERAL SPECIFICATION

### Materials

- 1/4" Plexiglass

### Construction

- Interlocking Plexiglass Divider
- Standard partition height is 23-1/2"
- Standard size fits 48"x48" table surface area
- Optional napkin/condiment pass through
- PWPT includes pass through
- Pass through height is 8"

### Shipping

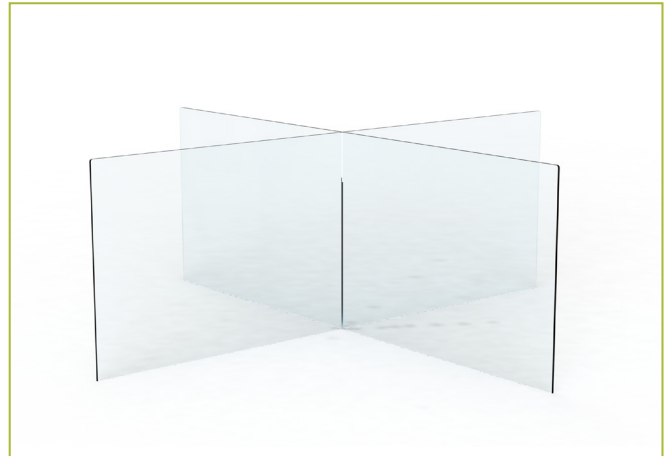
- Two (2) week lead time
- Shipped Flat
- FOB Denver, Shipped by Others
- Bulk orders will be discounted for orders over 100 units
- All bulk units to be shipped to one location for full discount

## MODELS

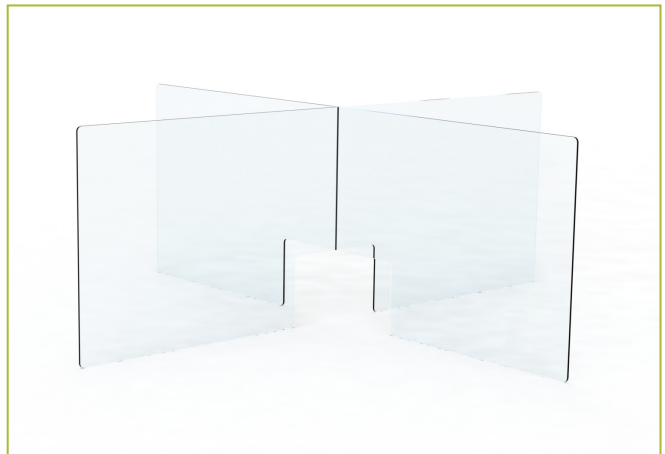
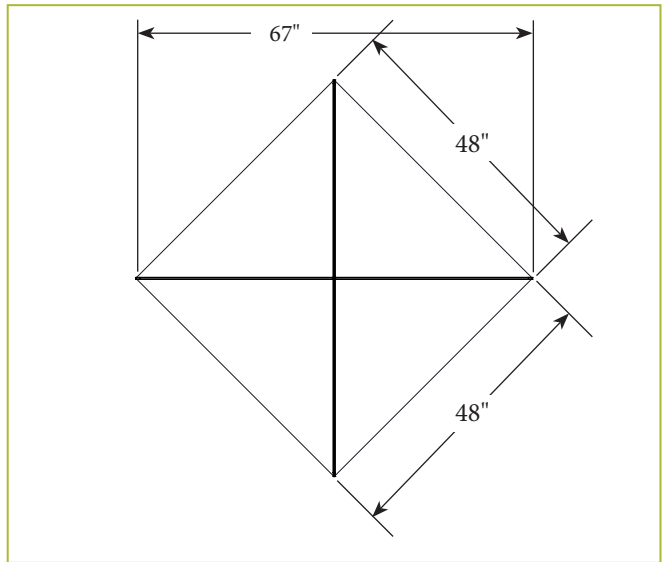
- BSI-SDP-B-24
- BSI-SDP-B-PT-24

## BSI-SDP-B-24

Portable Plexiglass Table Partition



SDP-B-24



SDP-B-PT-24

**\* Approval Drawings Required**

## GENERAL INFORMATION

Project Name: \_\_\_\_\_  
 Item: \_\_\_\_\_  
 Quantity: \_\_\_\_\_  
 Model: BSI-SDP-C-24  
 Length: \_\_\_\_\_

## GENERAL SPECIFICATION

### Materials

- 1/4" Plexiglass

### Construction

- Interlocking Plexiglass Divider
- Standard partition height is 23-1/2"
- Standard size fits 30"x72" table surface area
- Optional napkin/condiment pass through
- PWPT includes pass through
- Pass through height is 8"

### Shipping

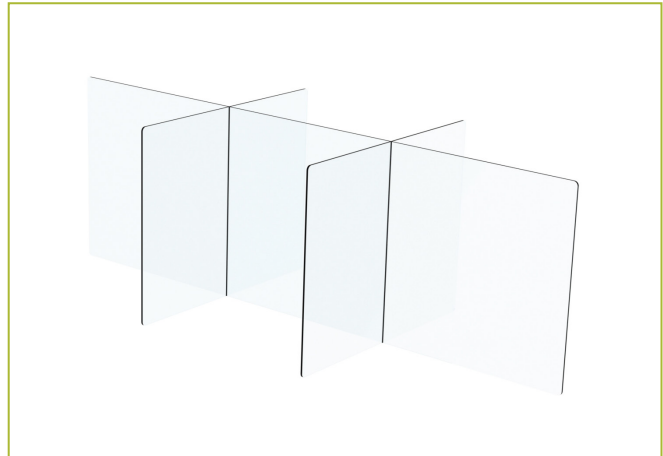
- Two (2) week lead time
- Shipped Flat
- FOB Denver, Shipped by Others
- Bulk orders will be discounted for orders over 100 units
- All bulk units to be shipped to one location for full discount

## MODELS

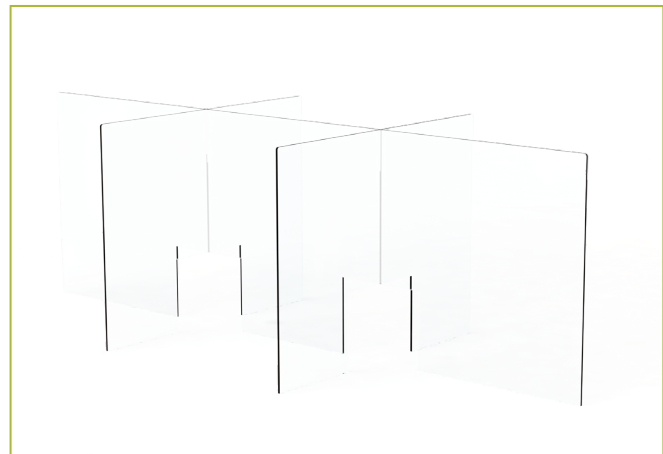
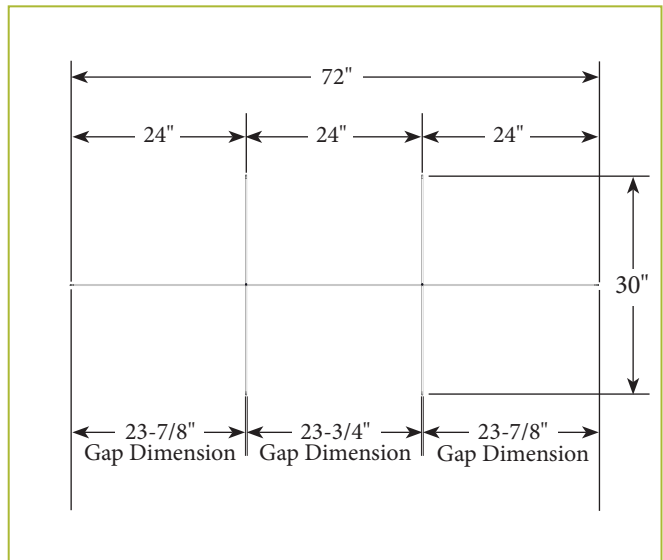
- BSI-SDP-C-24
- BSI-SDP-C-PT-24

## BSI-SDP-C-24

Portable Plexiglass Table Partition



SDP-C-24



SDP-C-PT-24

\* Approval Drawings Required

## GENERAL INFORMATION

Project Name: \_\_\_\_\_  
 Item: \_\_\_\_\_  
 Quantity: \_\_\_\_\_  
 Model: BSI-SDP-D-24  
 Length: \_\_\_\_\_

## GENERAL SPECIFICATION

### Materials

- 1/4" Plexiglass

### Construction

- Interlocking Plexiglass Divider
- Standard partition height is 23-1/2"
- Standard size fits 24"x24" table surface area
- Optional napkin/condiment pass through
- PWPT includes pass through
- Pass through height is 8"

### Shipping

- Two (2) week lead time
- Shipped Flat
- FOB Denver, Shipped by Others
- Bulk orders will be discounted for orders over 100 units
- All bulk units to be shipped to one location for full discount

## MODELS

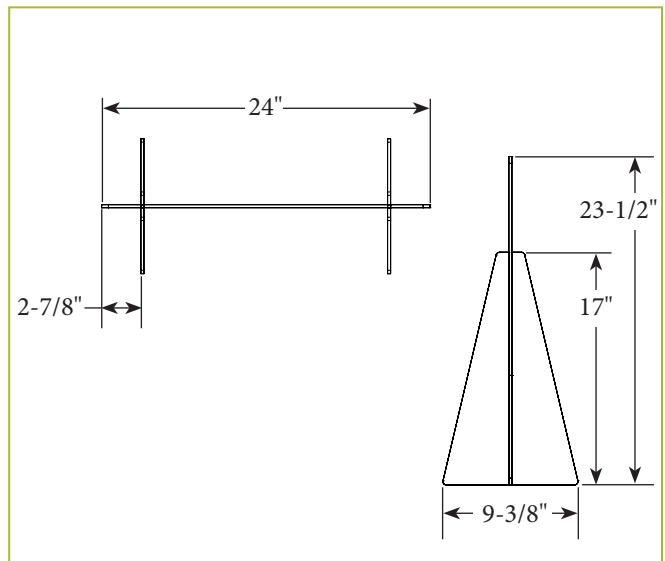
- BSI-SDP-D-24
- BSI-SDP-D-PT-24

## BSI-SDP-D-24

Portable Plexiglass Table Partition



SDP-D-24



SDP-D-PT-24

**\* Approval Drawings Required**



## GENERAL INFORMATION

**Project Name:** \_\_\_\_\_  
**Item:** \_\_\_\_\_  
**Quantity:** \_\_\_\_\_  
**Model:** BSI-RFP  
**Length:** \_\_\_\_\_

## GENERAL SPECIFICATION

### Materials

- 1/4" Plexiglass
- 1" Stainless Steel Tubing

### Construction

- Standard partition panel is 48"x72"
- Locking Brake Casters

### Shipping

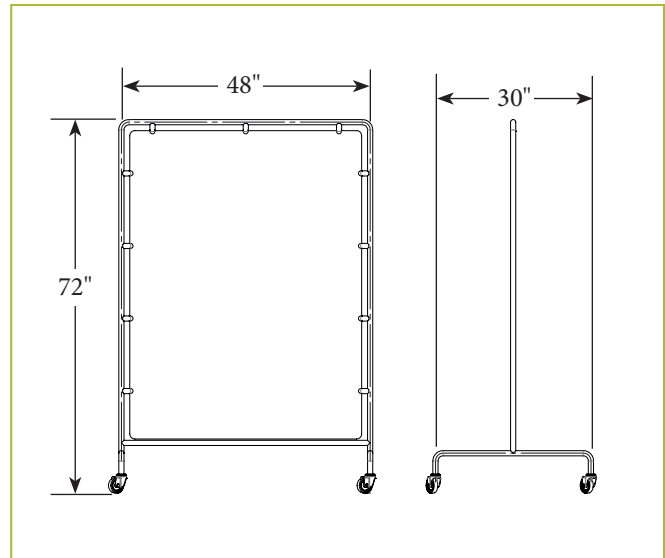
- Two (2) week lead time
- Shipped Fully Assembled
- FOB Denver, Shipped by Others
- Bulk orders will be discounted for orders over 100 units
- All bulk units to be shipped to one location for full discount

## MODELS

- BSI-RFP-48
- BSI-RFP-80

## BSI-RFP

### Rolling Floor Partition



Outside Dimensions:  
 RFP-48 (one panel) is 49"x72"  
 RFP-80 (two panels) is 81"x72"

**\* Approval Drawings Required**