

## GENERAL INFORMATION

Project Name: \_\_\_\_\_

## STANDARD SPECIFICATIONS

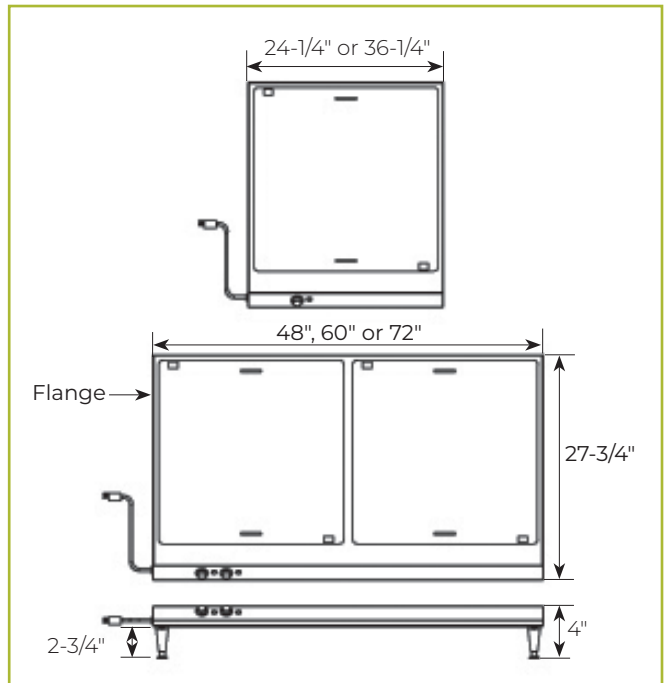
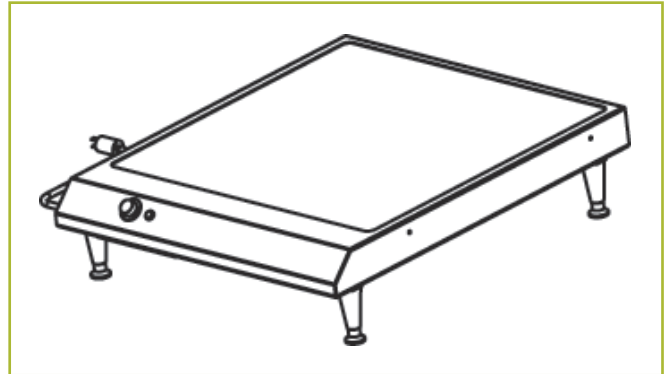
- Voltage: 120V
- Max Temp: 250°
- Standard Color: Black
- Surface Material: Ceramic

## OPTIONS AND ACCESSORIES

### FLANGE FINISH OPTIONS

- Brushed Stainless Steel #4 (Standard)
- Stainless Steel #8 (Chrome)
- Powdercoat RAL: \_\_\_\_\_

## HTC-INF Glass Ceramic Heated Countertop Display



| MODEL               | HTC-INF-24              | HTC-INF-36              | HTC-INF-48               | HTC-INF-60                | HTC-INF-72                |
|---------------------|-------------------------|-------------------------|--------------------------|---------------------------|---------------------------|
| LENGTH              | 24-1/4"                 | 36-1/4"                 | 48"                      | 60"                       | 72"                       |
| WIDTH               | 27-3/4"                 | 27-3/4"                 | 27-3/4"                  | 27-3/4"                   | 27-3/4"                   |
| ELECTRICAL SERVICES | 120V/3.94A<br>500 WATTS | 120V/6.12A<br>750 WATTS | 120V/7.88A<br>1000 WATTS | 120V/10.06A<br>1250 WATTS | 120V/12.24A<br>1500 WATTS |