

GENERAL INFORMATION

Project Name: _____

STANDARD SPECIFICATIONS

- Voltage: 120V
- Max Temp: 250°
- Standard Color: Black
- Surface Material: Ceramic

Also available in 220 and 240 volts. Contact BSI for details.

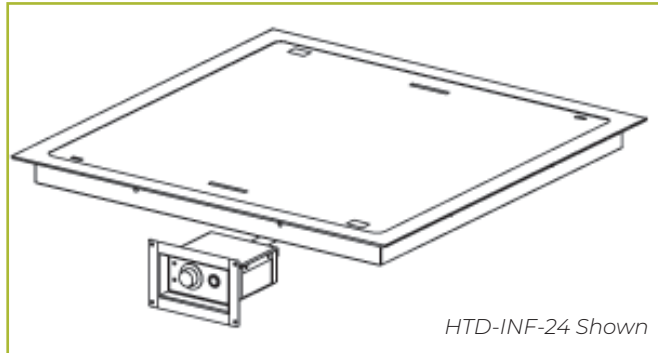
OPTIONS AND ACCESSORIES

FLANGE FINISH OPTIONS

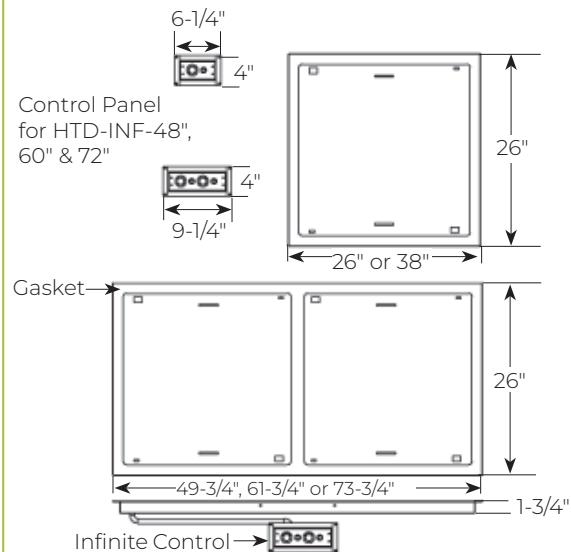
- Brushed Stainless Steel #4 (Standard)
- Stainless Steel #8 (Chrome)
- Powdercoat RAL: _____

HTD-INF

Glass Ceramic Heated Drop-in Display



Control Panel for HTD-INF-24" & 36"



MODEL	HTD-INF-24	HTD-INF-36	HTD-INF-48	HTD-INF-60	HTD-INF-72
LENGTH (cutout size)	26" (24-1/4")	38" (36-1/4")	49-3/4" (48")	61-3/4" (60")	73-3/4" (72")
WIDTH (cutout size)	26" (24-1/4")	26" (24-1/4")	26" (24-1/4")	26" (24-1/4")	26" (24-1/4")
CONTROL BOX (cutout size)	6-1/4" x 4" (5" x 2-3/4")	6-1/4" x 4" (5" x 2-3/4")	9-1/4" x 4" (8" x 2-3/4")	9-1/4" x 4" (8" x 2-3/4")	9-1/4" x 4" (8" x 2-3/4")
ELECTRICAL SERVICES	120V/3.94A	120V/6.12A	120V/7.88A	120V/10.06A	120V/12.24A
NET WEIGHT	40 lbs.	67 lbs.	102 lbs.	122 lbs.	157 lbs.
SHIPPING WEIGHT	62 lbs.	87 lbs.	122 lbs.	142 lbs.	177 lbs.