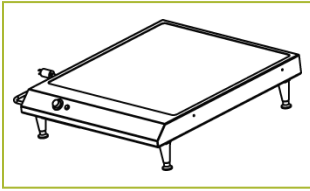
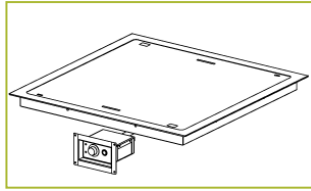


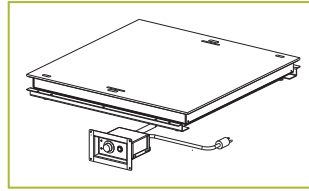
QUICK REFERENCE GUIDE



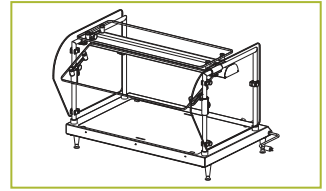
HTC-INF



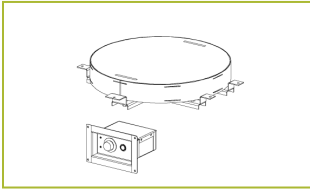
HTD-INF



HTD-INF-NF



HTZ-INF



HDD-INF-NF

GENERAL INFORMATION

Project Name: _____

STANDARD SPECIFICATIONS

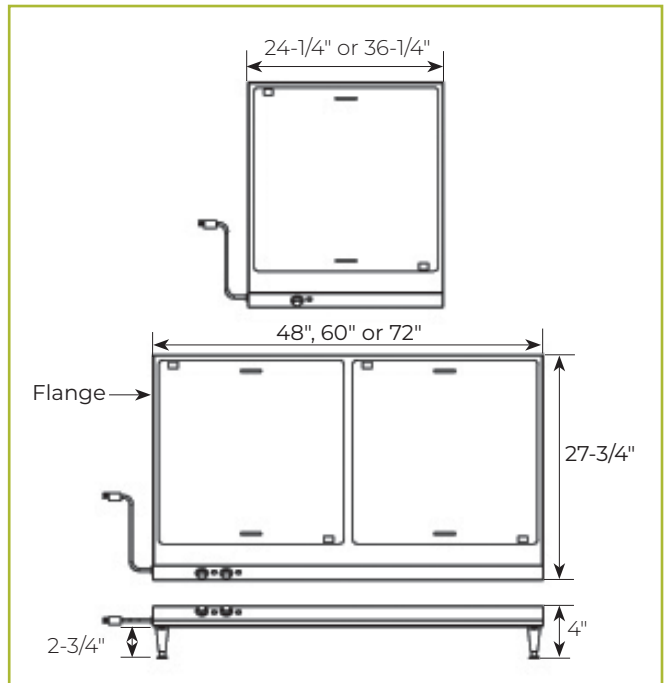
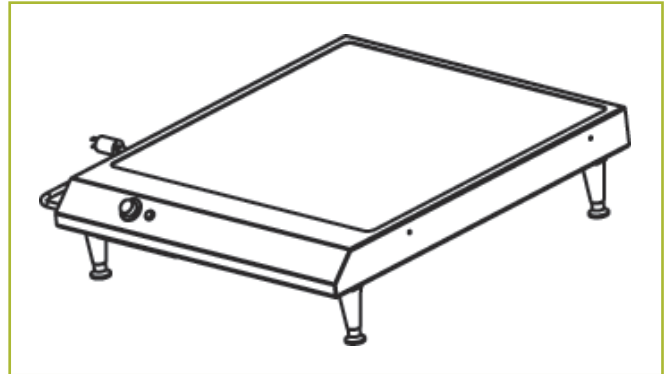
- Voltage: 120V
- Max Temp: 250°
- Standard Color: Black
- Surface Material: Ceramic

OPTIONS AND ACCESSORIES

FLANGE FINISH OPTIONS

- Brushed Stainless Steel #4 (Standard)
- Stainless Steel #8 (Chrome)
- Powdercoat RAL: _____

HTC-INF Glass Ceramic Heated Countertop Display



MODEL	HTC-INF-24	HTC-INF-36	HTC-INF-48	HTC-INF-60	HTC-INF-72
LENGTH	24-1/4"	36-1/4"	48"	60"	72"
WIDTH	27-3/4"	27-3/4"	27-3/4"	27-3/4"	27-3/4"
ELECTRICAL SERVICES	120V/3.94A 500 WATTS	120V/6.12A 750 WATTS	120V/7.88A 1000 WATTS	120V/10.06A 1250 WATTS	120V/12.24A 1500 WATTS

GENERAL INFORMATION

Project Name: _____

STANDARD SPECIFICATIONS

- Voltage: 120V
- Max Temp: 250°
- Standard Color: Black
- Surface Material: Ceramic

Also available in 220 and 240 volts. Contact BSI for details.

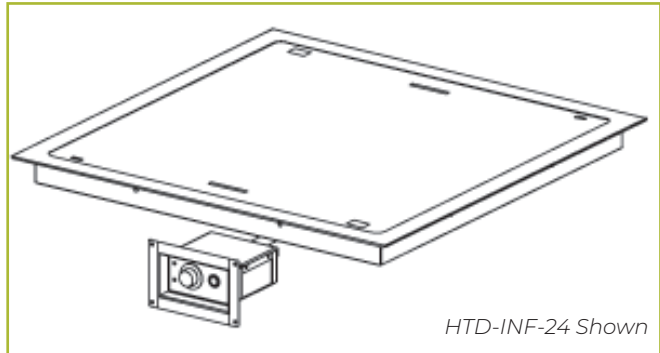
OPTIONS AND ACCESSORIES

FLANGE FINISH OPTIONS

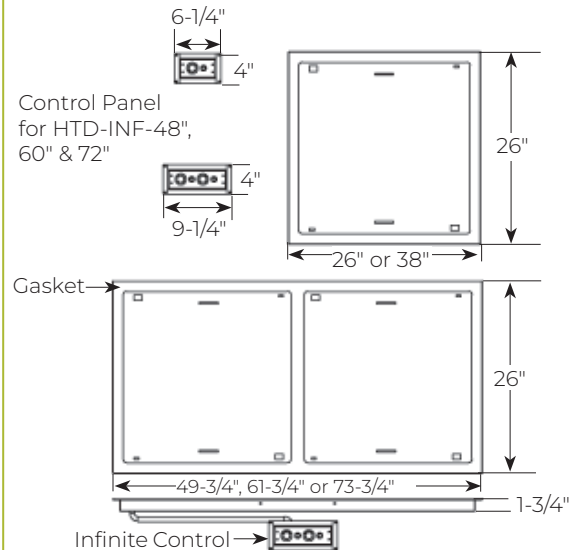
- Brushed Stainless Steel #4 (Standard)
- Stainless Steel #8 (Chrome)
- Powdercoat RAL: _____

HTD-INF

Glass Ceramic Heated Drop-in Display



Control Panel for HTD-INF-24" & 36"



MODEL	HTD-INF-24	HTD-INF-36	HTD-INF-48	HTD-INF-60	HTD-INF-72
LENGTH (cutout size)	26" (24-1/4")	38" (36-1/4")	49-3/4" (48")	61-3/4" (60")	73-3/4" (72")
WIDTH (cutout size)	26" (24-1/4")	26" (24-1/4")	26" (24-1/4")	26" (24-1/4")	26" (24-1/4")
CONTROL BOX (cutout size)	6-1/4" x 4" (5" x 2-3/4")	6-1/4" x 4" (5" x 2-3/4")	9-1/4" x 4" (8" x 2-3/4")	9-1/4" x 4" (8" x 2-3/4")	9-1/4" x 4" (8" x 2-3/4")
ELECTRICAL SERVICES	120V/3.94A	120V/6.12A	120V/7.88A	120V/10.06A	120V/12.24A
NET WEIGHT	40 lbs.	67 lbs.	102 lbs.	122 lbs.	157 lbs.
SHIPPING WEIGHT	62 lbs.	87 lbs.	122 lbs.	142 lbs.	177 lbs.

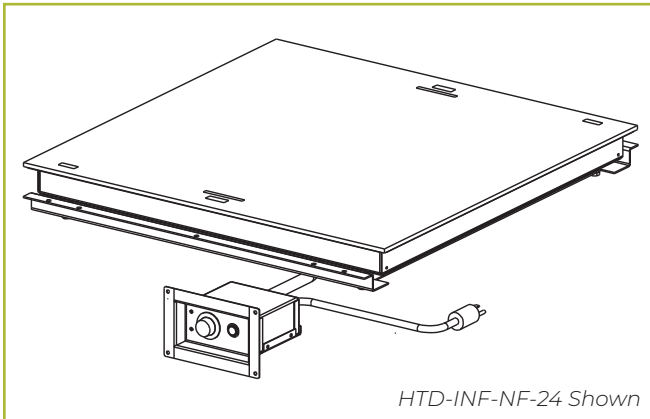
GENERAL INFORMATION

Project Name: _____

STANDARD SPECIFICATIONS

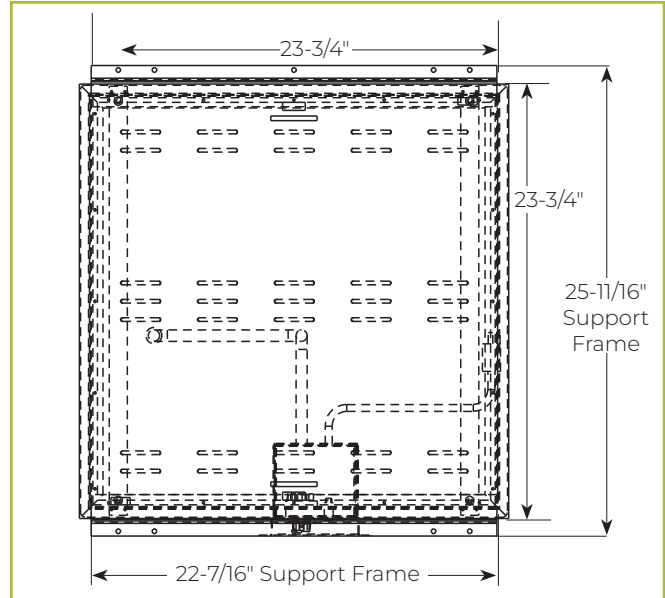
- ❑ Voltage: 120V
- ❑ Max Temp: 250°
- ❑ Standard Color: Black
- ❑ Surface Material: Ceramic

Also available in 220 and 240 volts. Contact BSI for details.



HTD-INF-NF

*Glass Ceramic Heated
Drop-in Display (No Flange)*



MODEL	HTD-INF-NF-24	HTD-INF-NF-36	HTD-INF-NF-48	HTD-INF-NF-60	HTD-INF-NF-72
LENGTH (cutout size)	23-3/4" (23-15/16")	35-3/4" (35-15/16")	47-1/2" (47-11/16")	59-1/2" (59-11/16")	71-1/2" (71-11/16")
WIDTH (cutout size)	23-3/4" (23-15/16")	23-3/4" (23-15/16")	23-3/4" (23-15/16")	23-3/4" (23-15/16")	23-3/4" (23-15/16")
CONTROL BOX (cutout size)	6-1/4" x 4" (5" x 2-3/4")	6-1/4" x 4" (5" x 2-3/4")	9-1/4" x 4" (8" x 2-3/4")	9-1/4" x 4" (8" x 2-3/4")	9-1/4" x 4" (8" x 2-3/4")
ELECTRICAL SERVICES	120V/3.94A	120V/6.12A	120V/7.88A	120V/10.06A	120V/12.24A
NET WEIGHT	40 lbs.	67 lbs.	102 lbs.	122 lbs.	157 lbs.
SHIPPING WEIGHT	62 lbs.	87 lbs.	122 lbs.	142 lbs.	177 lbs.

GENERAL INFORMATION

Project Name: _____

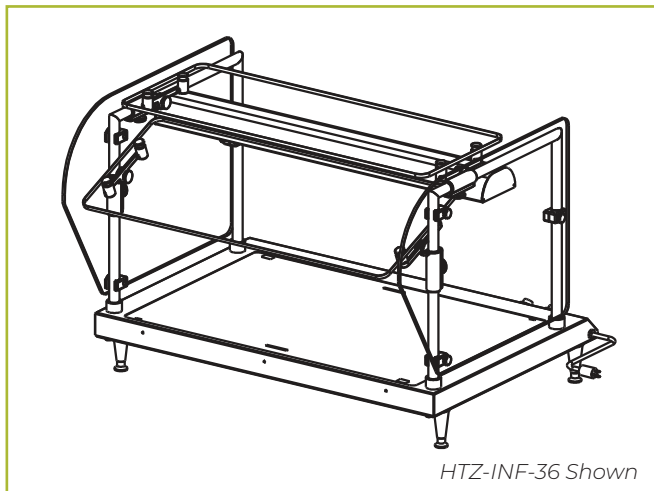
STANDARD SPECIFICATIONS

- Voltage: 120V
- Max Temp: 250°
- Standard Color: Black
- Surface Material: Ceramic
- ZGuard™ 9930 Food Shield w/End Panels
- Stealth 705 Light & Warmer Combo Unit

OPTIONS AND ACCESSORIES

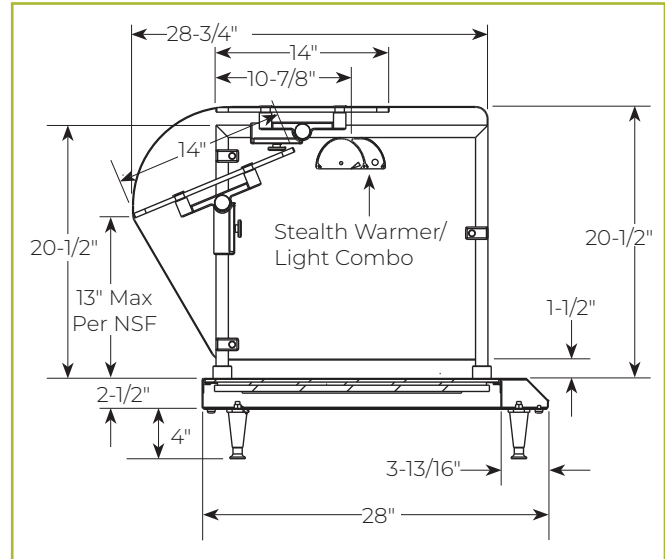
FLANGE & ZGUARD™ FINISH OPTIONS

- Brushed Stainless Steel #4 (Standard)
- Stainless Steel #8 (Chrome)
- Powdercoat RAL: _____



HTZ-INF

Portable Heated Display



MODEL	HTZ-INF-24	HTZ-INF-36	HTZ-INF-48	HTD-INF-NF-60
LENGTH	28-7/16"	40-7/16"	54-1/2"	66-1/2"
WIDTH	28"	28"	28"	28"
ELECTRICAL SERVICES	120V/7.12A (1 plug)	120V/12.5A (1 plug)	120V 7.12A Cord 1 7.12A Cord 2	120V 12.5A Cord 1 12.5A Cord 2
NEMA CONFIG.	5-15P	5-15P	5-15P (2 plugs)	5-15P (2 plugs)
NET WEIGHT	106 lbs.	167 lbs.	236 lbs.	292 lbs.
SHIPPING WEIGHT	131 lbs.	192 lbs.	261 lbs.	317 lbs.

GENERAL INFORMATION

Project Name: _____

STANDARD SPECIFICATIONS

- Voltage: 120V
- Max Temp: 250°
- Standard Color: Black
- Surface Material: Ceramic

Specify countertop thickness when ordering.

Also available in 220 and 240 volt. Contact BSI for details.

MODEL	HDD-INF-NF-14	HDD-INF-NF-20
DIAMETER	14"	20"
FRAME SIZE	16-5/16" x 16-3/16"	22-5/16" x 22-3/16"
COUNTER CUTOUT SIZE	14-5/16"	20-5/16"
CONTROL BOX CUTOUT SIZE	5" x 2-3/4"	5" x 2-3/4"
ELECTRICAL SERVICES	120V/1.04A	120V/2.29A

HDD-INF-NF

Round Glass Ceramic
Heated Drop-in Display

