

## GENERAL INFORMATION

Project Name: \_\_\_\_\_  
 Item: \_\_\_\_\_  
 Quantity: \_\_\_\_\_  
 Model: XG3500-5 \_\_\_\_\_  
 Length: \_\_\_\_\_

## STANDARD NSF LISTED FINISH OPTIONS

- |   |  |
|---|--|
| <input type="checkbox"/> Brushed Aluminum | <input type="checkbox"/> Chrome                |
| <input type="checkbox"/> Gloss Black      | <input type="checkbox"/> Wrinkle Black         |
| <input type="checkbox"/> Smoked Copper    | <input type="checkbox"/> Polished Brass Finish |
| <input type="checkbox"/> Other _____      |  |

## GLASS THICKNESS

- |  |
|--|
| <input type="checkbox"/> 1/4" Tempered Glass (not for shelves)<br>Centerline Max 54"                 |
| <input type="checkbox"/> 3/8" Tempered Glass (for shelf or span more than 54")<br>Centerline Max 66" |
| <input type="checkbox"/> 1/2" Tempered Glass (for shelf or span more than 66")<br>Centerline Max 72" |

## GLASS CORNERS

- |  |   |
|--|---|
| <input type="checkbox"/> 1" Radius Corner (standard) | <input type="checkbox"/> Square Corners |
|--|---|

## INSTALLATION OPTIONS

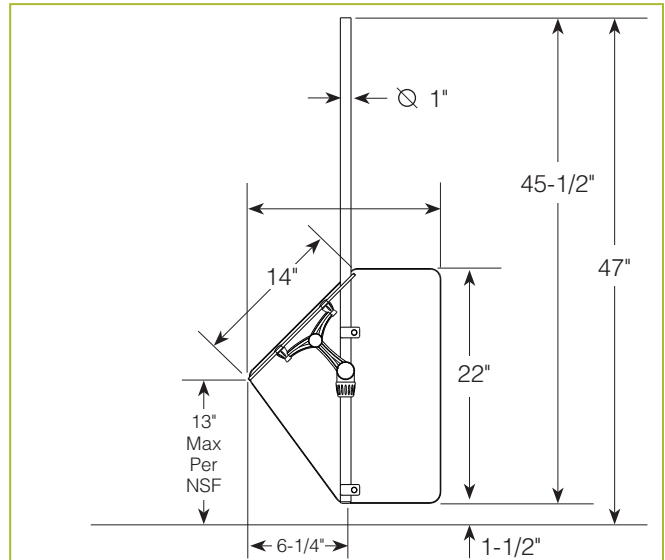
### Mounting Method

- |   |
|---|
| <input type="checkbox"/> MW1: Heavy-Duty Flange |
|---|

Contact factory for optional mounting methods.

## XG3500-5

Ceiling Mount



To meet NSF guidelines, end panels are included on all BSI quotations unless specifically excluded. (See End Panel Page for More Details.)

## \* Approval Drawings Required