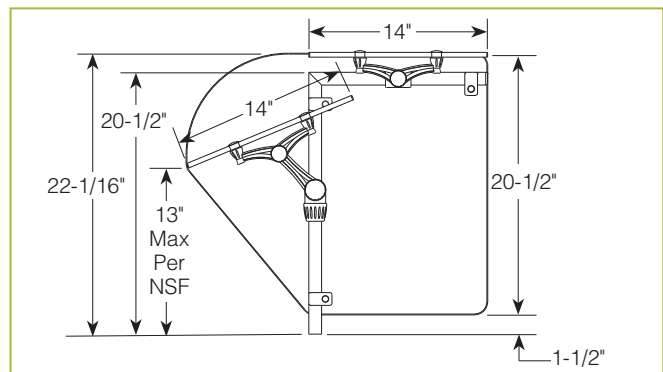
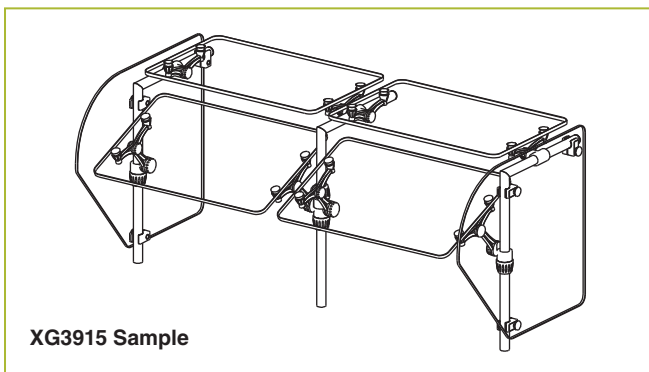
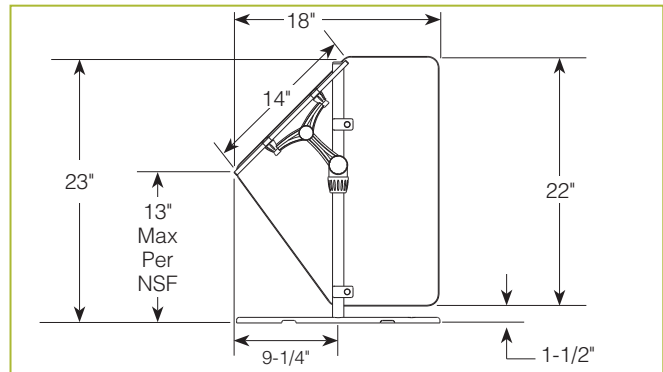
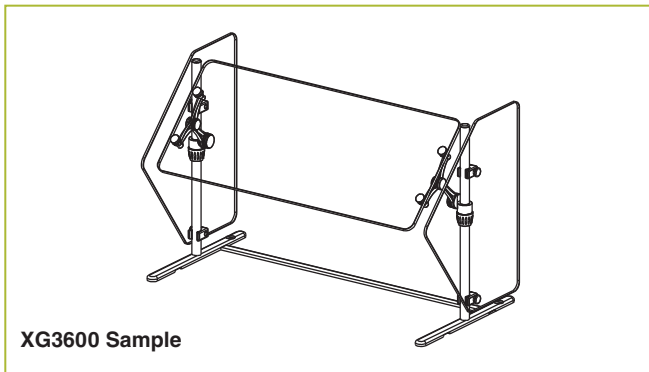
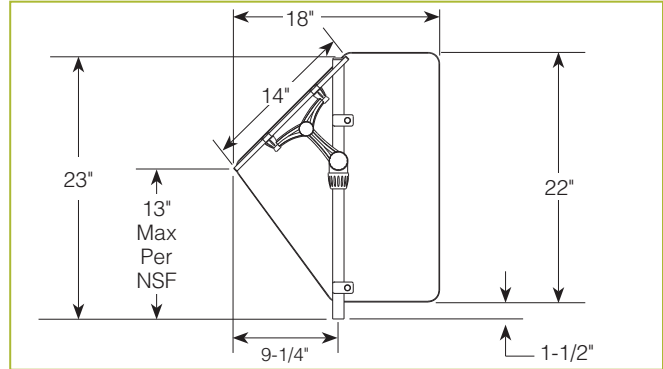
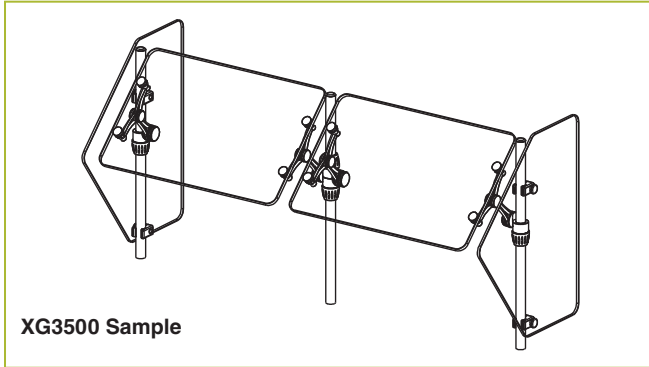


## END PANELS

To meet NSF guidelines, end panels are included on all BSI quotations unless specifically excluded. The following section shows size and location of glass end panels for select XGuard models. For end panel information relating to additional models please contact the BSI factory at 1.800.622.9595.



## END PANELS

To meet NSF guidelines, end panels are included on all BSI quotations unless specifically excluded. The following section shows size and location of glass end panels for select XGuard models. For end panel information relating to additional models please contact the BSI factory at 1.800.622.9595.

