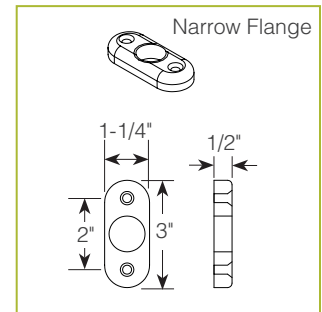
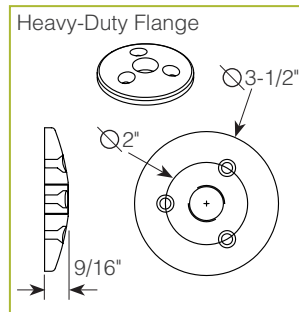
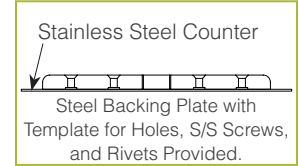
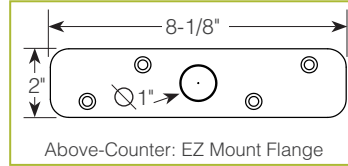
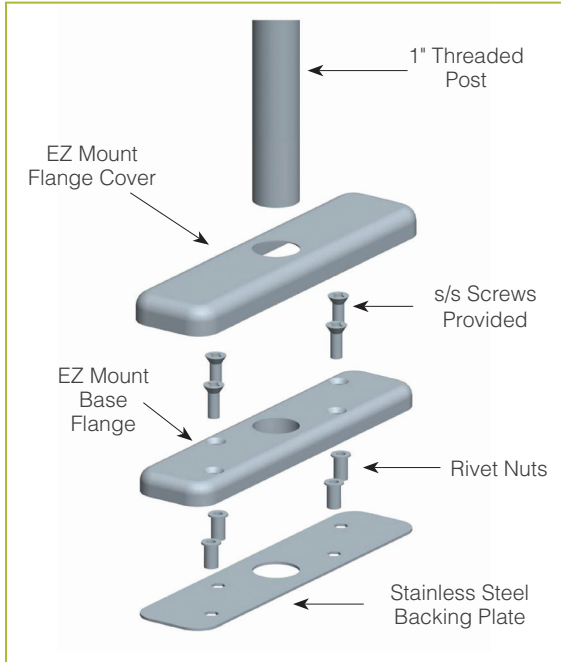
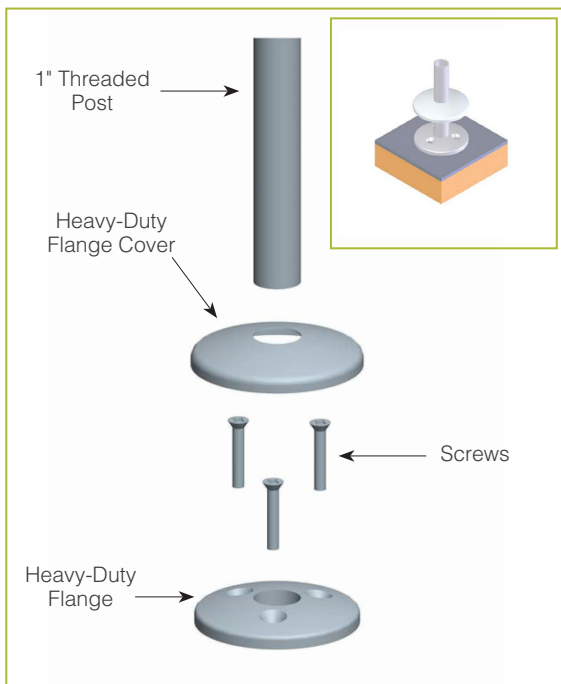


## ABOVE-COUNTER INSTALLATION FOR 1" XGUARD POSTS

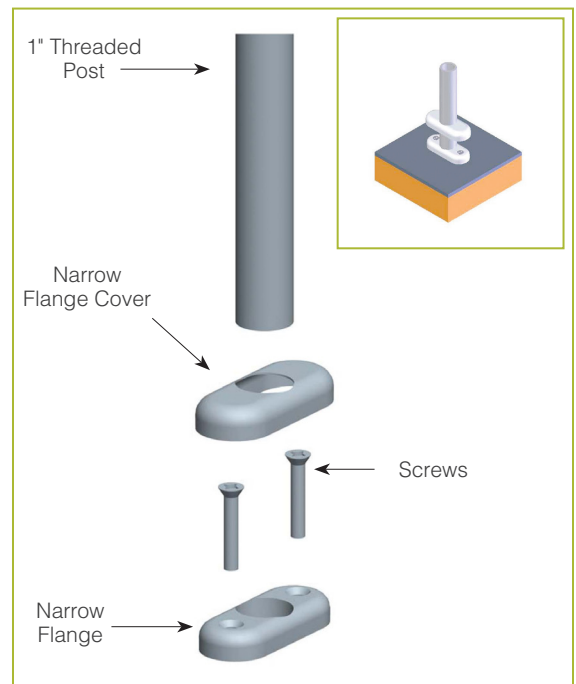
**For Stainless Steel Counter**  
**SS1: EZ Mount 2" x 8" Flange**



**For Millwork Counter**  
**MW1: Heavy-Duty Flange**

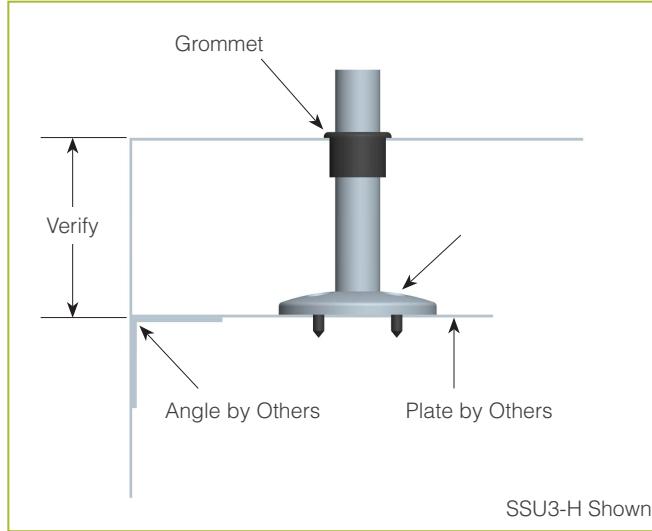


**For Millwork Counter**  
**MW2: Narrow Flange**

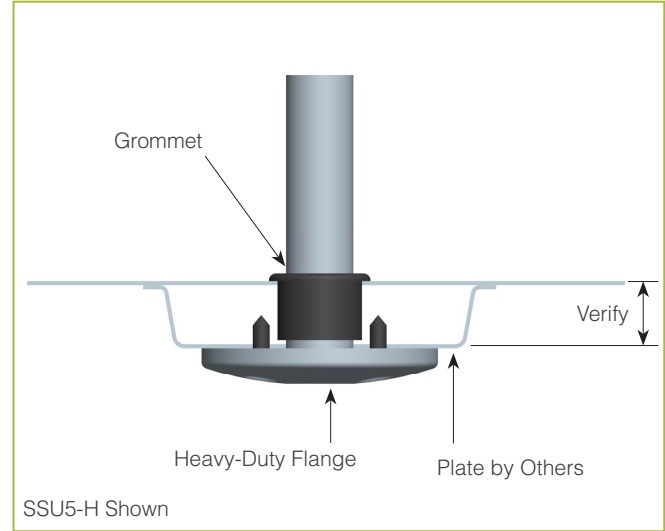


## UNDER-COUNTER INSTALLATION FOR 1" XGUARD POSTS

**For Stainless Steel Counter**  
 (requires under-counter reinforcement and access)  
**SSU3: Heavy-Duty Flange (-H) or Narrow Flange (-N)**

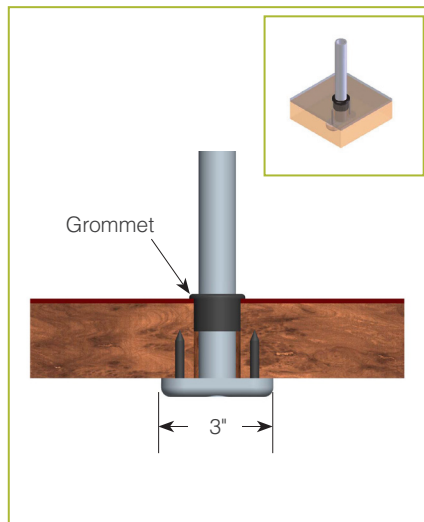


**For Stainless Steel Counter**  
 (requires under-counter reinforcement and access)  
**SSU5: Heavy-Duty Flange (-H) or Narrow Flange (-N)**

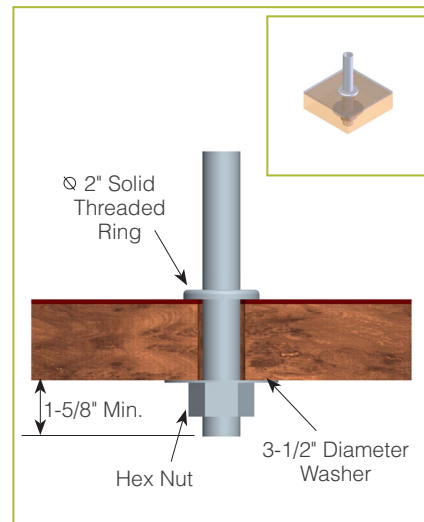


**Verify Counter Thickness or Under-Counter Installation Depth in Inches**

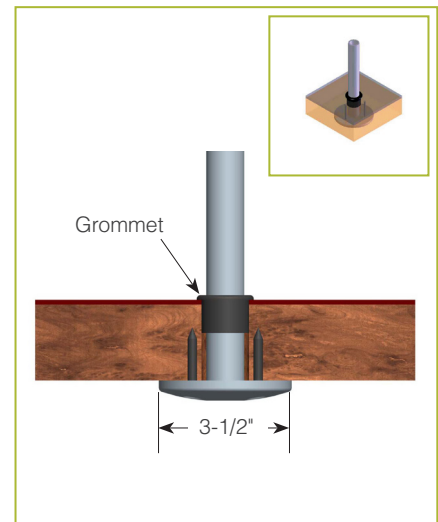
**For Millwork Counter**  
**MWU3: Narrow Flange**



**For Millwork Counter**  
**MWU4: Compression Installation**  
 (not recommended for solid surfaces)



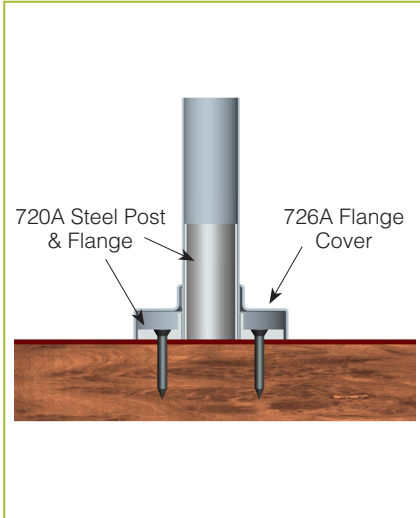
**For Millwork Counter**  
**MWU5: Heavy-Duty Flange**



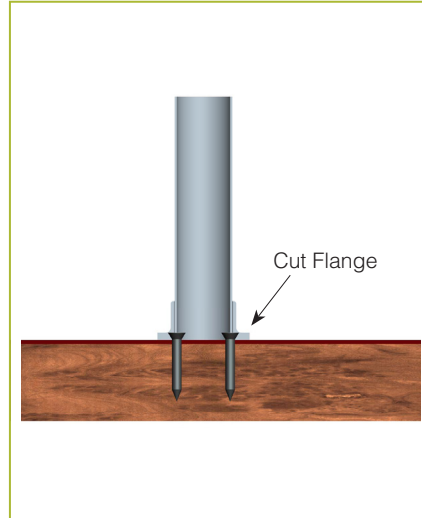
**Verify Counter Thickness or Under-Counter Installation Depth in Inches**

## ➤ ABOVE-COUNTER INSTALLATION FOR 1-1/2" XGUARD POSTS

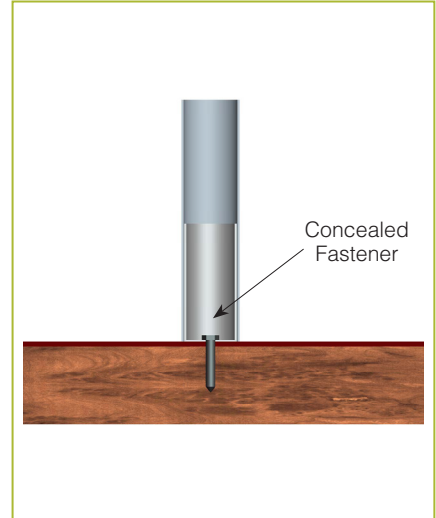
For Millwork Counter  
**Surface Installation 720A/726A:**  
 Steel Post and Flange w/Flange Cover



For Millwork Counter  
**Surface Installation 725A:**  
 Cut Flange

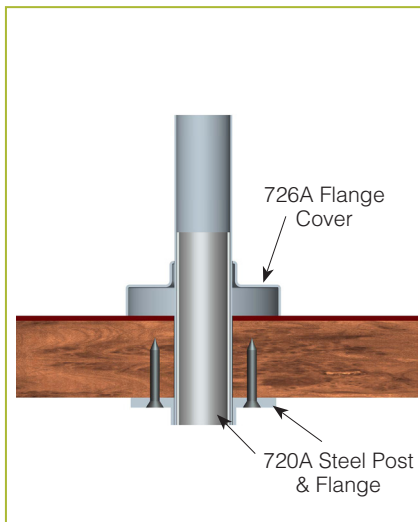


For Millwork Counter  
**Concealed Fastener**  
 (not for cantilever units)

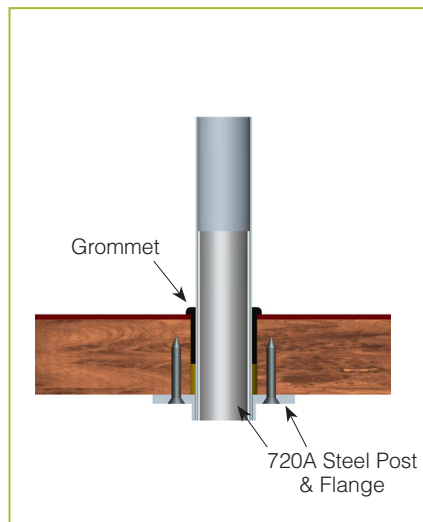


## ➤ UNDER-COUNTER INSTALLATION FOR 1-1/2" XGUARD POSTS (requires under-counter reinforcement and access)

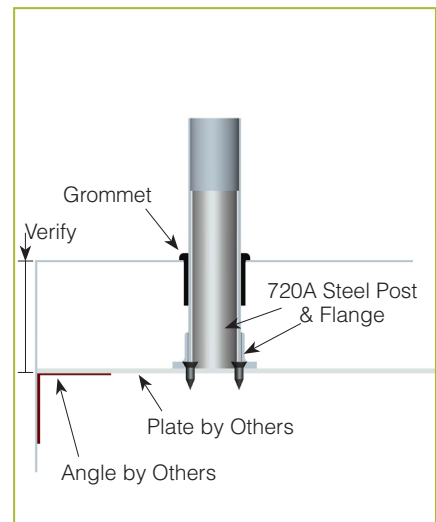
Under-Counter Installation 720A/726A:  
 Steel Post and Flange w/Flange Cover



Under-Counter Installation 720A:  
 Steel Post and Flange w/out Flange Cover



Under-Counter Installation 725A:  
 Narrow Custom Flange



## ➤ FLANGE AND FLANGE COVER DIMENSIONS

