

GENERAL INFORMATION

Project Name: _____
 Item: _____
 Quantity: _____
 Model: _____ ZS-CS
 Length: _____

DESCRIPTION

The Crescent Sign is manufactured by BSI, LLC. This minimalist sign is the perfect display solution for modern environments. Attach this unique sign to any post for an upscale look. The sign can be single or double-sided. The height is fully adjustable and changing graphics is a snap.

The Crescent Sign is available in two sizes.

STANDARD NSF LISTED FINISH OPTIONS

Only Available in Brushed Aluminum

COMPONENT INCLUDES

ZS-CS-8

- 2 ea. 8" Diameter Acrylic Panels
- 1 ea. Cantilever Sign Holder
- Post Not Included

ZS-CS-11

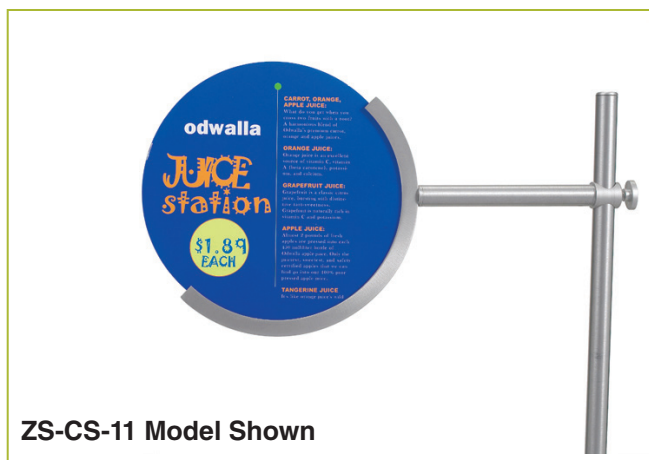
- 2 ea. 11" Diameter Acrylic Panels
- 1 ea. Cantilever Sign Holder
- Post Not Included

INSTALLATION OPTIONS

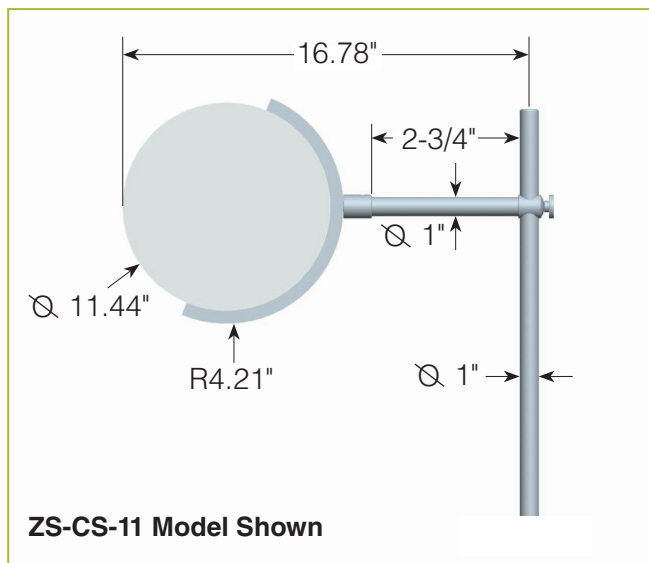
- 23" - 1" Diameter Post w/Installation Hardware
- 36" - 1" Diameter Post w/Installation Hardware
- ZS-PB (Portable Base)

ZS-CS

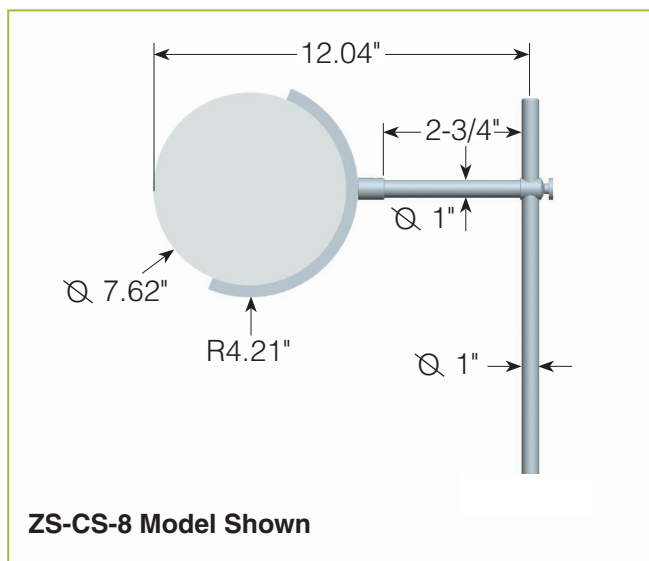
Crescent Sign



ZS-CS-11 Model Shown



ZS-CS-11 Model Shown



ZS-CS-8 Model Shown