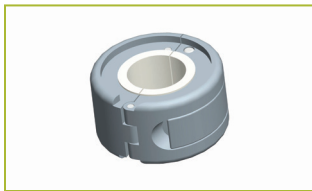
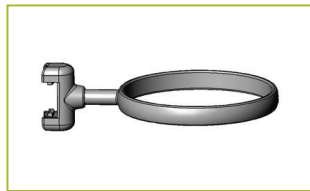


## QUICK REFERENCE GUIDE



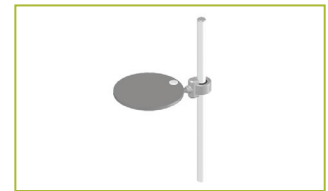
ZS-CLAMP



ZS-RING



ZS-ACS08-EZ



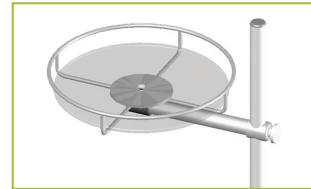
ZS-AS08-EZ



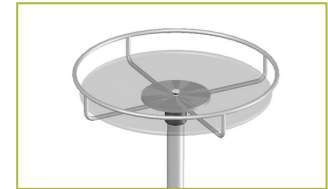
ZS-AT11-1-EZ



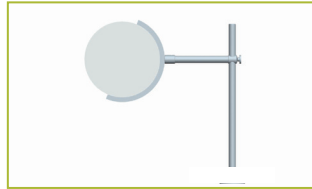
ZS-AT11-2-EZ



ZS-WFT-CM



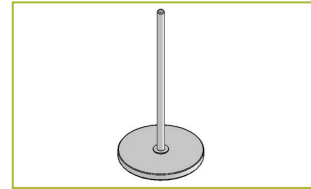
ZS-WFT-TM



ZS-CS



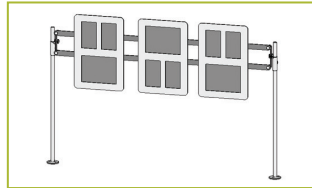
ZS-AS11-TM



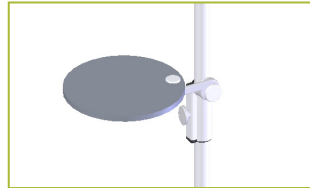
ZS-PB



ZS-PAR



ZS-MF-1



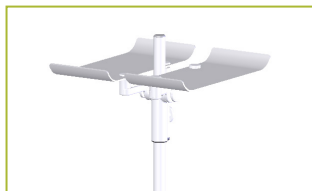
ZS-AS08-B



ZS-ACS08-B



ZS-AT11-1-B



ZS-AT11-2-B

## GENERAL INFORMATION

**Project Name:** \_\_\_\_\_  
**Item:** \_\_\_\_\_  
**Quantity:** \_\_\_\_\_  
**Model:** ZS-CLAMP  
**Length:** \_\_\_\_\_

## DESCRIPTION

The EZ-Clamp is manufactured by BSI, LLC. Install the EZ-Clamp on any 1" post without removing existing hardware and it installs without any tools.

## STANDARD NSF LISTED FINISH OPTIONS

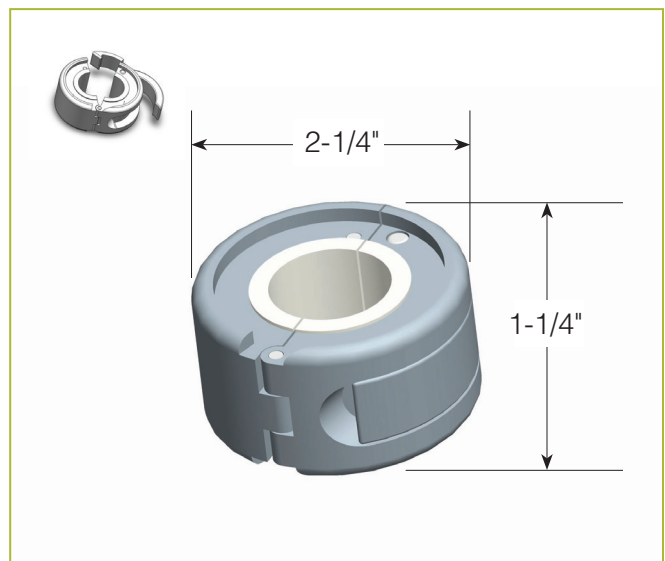
Only Available in Brushed Aluminum

## INSTALLATION OPTIONS

- 23" - 1" Diameter Post w/Installation Hardware
- 36" - 1" Diameter Post w/Installation Hardware
- ZS-PB (Portable Base)

## ZS-CLAMP

*EZ-Clamp*



## GENERAL INFORMATION

**Project Name:** \_\_\_\_\_  
**Item:** \_\_\_\_\_  
**Quantity:** \_\_\_\_\_  
**Model:** ZS-RING \_\_\_\_\_  
**Length:** \_\_\_\_\_

## DESCRIPTION

The Flexi-Ring is manufactured by BSI, LLC. Attach up to three rings to a single EZ-CLAMP and let the merchandising begin. Mount bowls, plates, vessels, vases or anything else that you can think of to create memorable and profitable displays.

Flexi-Rings are available in three sizes.

## STANDARD NSF LISTED FINISH OPTIONS

Only Available in Brushed Aluminum

## SIZE OPTIONS

- Small Flexi-Ring (ZS-RING-4)
- Medium Flexi-Ring (ZS-RING-5)
- Large Flexi-Ring (ZS-RING-8)

## EZ-CLAMP OPTION

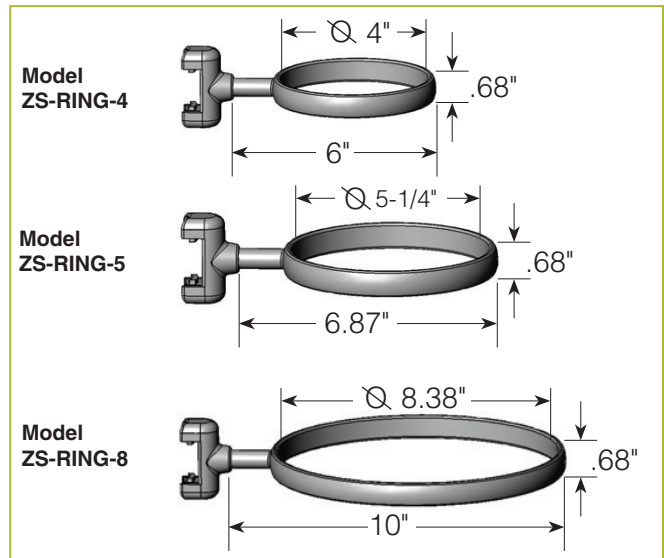
- ZS-CLAMP
- Quantity \_\_\_\_\_

## INSTALLATION OPTIONS

- 23" - 1" Diameter Post w/Installation Hardware
- 36" - 1" Diameter Post w/Installation Hardware
- ZS-PB (Portable Base)

## ZS-RING

*Flexi-Ring*



## GENERAL INFORMATION

**Project Name:** \_\_\_\_\_  
**Item:** \_\_\_\_\_  
**Quantity:** \_\_\_\_\_  
**Model:** ZS-ACS08-EZ  
**Length:** \_\_\_\_\_

## DESCRIPTION

The Acrylic Trivet is manufactured by BSI, LLC. These functional and elegant trivets are made of 1/4" acrylic; they are durable enough to hold up in high-volume environments.

## STANDARD NSF LISTED FINISH OPTIONS

Only Available in Brushed Aluminum

## COMPONENT INCLUDES

- ZS-GS08-EZ
- 1 ea. 8" Acrylic Trivet w/EZ-Clamp Connector
- EZ-Clamp Not Included
- Post Not Included

## INSTALLATION OPTIONS

- 23" - 1" Diameter Post w/Installation Hardware
- 36" - 1" Diameter Post w/Installation Hardware
- ZS-PB (Portable Base)

## ZS-ACS08-EZ

Acrylic Trivet



## GENERAL INFORMATION

**Project Name:** \_\_\_\_\_  
**Item:** \_\_\_\_\_  
**Quantity:** \_\_\_\_\_  
**Model:** ZS-AS08-EZ  
**Length:** \_\_\_\_\_

## DESCRIPTION

The Aluminum Trivet is manufactured by BSI, LLC. These functional and elegant trivets are made of 3/8" aluminum. It's a clean and contemporary look that will hold up to the toughest environments.

## STANDARD NSF LISTED FINISH OPTIONS

Only Available in Brushed Aluminum

## COMPONENT INCLUDES

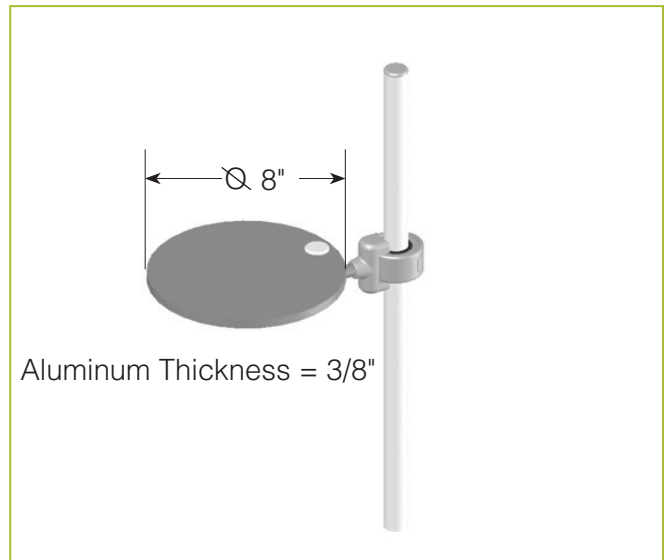
- ZS-AS08-EZ
- 1 ea. 8" Aluminum Trivet w/EZ-Clamp Connector
- EZ-Clamp Not Included
- Post Not Included

## INSTALLATION OPTIONS

- 23" - 1" Diameter Post w/Installation Hardware
- 36" - 1" Diameter Post w/Installation Hardware
- ZS-PB (Portable Base)

## ZS-AS08-EZ

Aluminum Trivet



## GENERAL INFORMATION

**Project Name:** \_\_\_\_\_  
**Item:** \_\_\_\_\_  
**Quantity:** \_\_\_\_\_  
**Model:** ZS-AT11 \_\_\_\_\_  
**Length:** \_\_\_\_\_

## DESCRIPTION

The Aluminum Display Tray is manufactured by BSI, LLC. This functional and modern tray is made of 1/8" aluminum. It's a clean and contemporary look that will hold up in the toughest environments.

Aluminum Display Tray is available as a single or double unit.

## STANDARD NSF LISTED FINISH OPTIONS

Only Available in Brushed Aluminum

## COMPONENT INCLUDES

### ZS-AT11-1-EZ

1 ea. Aluminum Tray w/EZ-Clamp Connector  
 EZ-Clamp Not Included  
 Post Not Included

### ZS-AT11-2-EZ

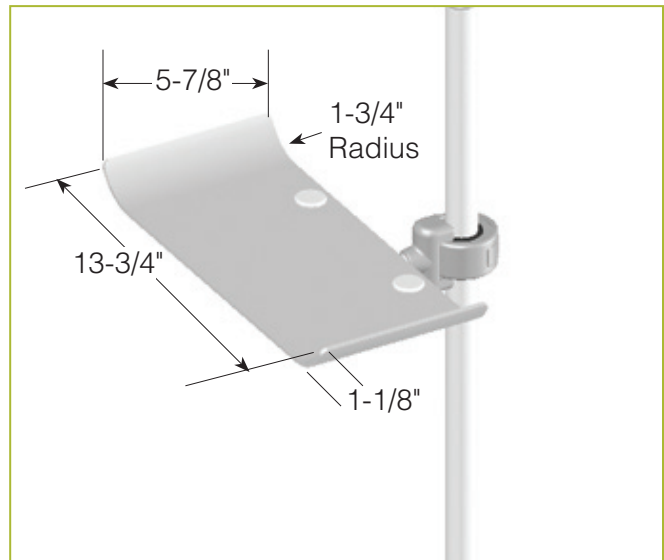
2 ea. Aluminum Trays w/EZ-Clamp Connector  
 EZ-Clamp Not Included  
 Post Not Included

## INSTALLATION OPTIONS

- 23" - 1" Diameter Post w/Installation Hardware
- 36" - 1" Diameter Post w/Installation Hardware
- ZS-PB (Portable Base)

## ZS-AT11

### Aluminum Display Tray



## GENERAL INFORMATION

**Project Name:** \_\_\_\_\_  
**Item:** \_\_\_\_\_  
**Quantity:** \_\_\_\_\_  
**Model:** ZS-WFT  
**Length:** \_\_\_\_\_

## DESCRIPTION

The Wire Frame Tray is manufactured by BSI, LLC. If you have a post, then you have room to create a dramatic design statement with these wire frame trays. 11" diameter tray holds products, samples, or decorative accessories.

## TRAY COLOR OPTIONS

- Milk White
- Red
- Purple
- Blue

## COMPONENT INCLUDES

### ZS-WFT-CM (Cantilever Mount)

- 1 ea. Wire Frame Tray
- 1 ea. Cantilever Arm
- 1 ea. Acrylic Tray (must specify color)
- Post Not Included

### ZS-WFT-TM (Top Mount)

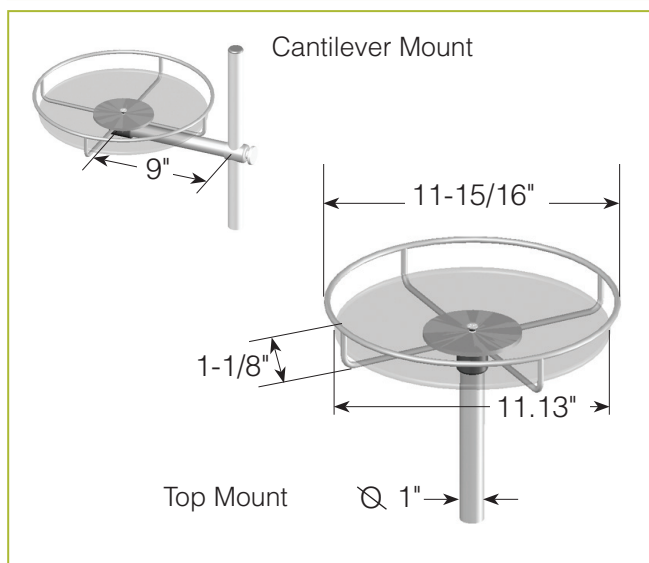
- 1 ea. Wire Frame Tray
- 1 ea. Post-Mount Sleeve
- 1 ea. Acrylic Tray (must specify color)
- Post Not Included

## INSTALLATION OPTIONS

- 23" - 1" Diameter Post w/Installation Hardware
- 36" - 1" Diameter Post w/Installation Hardware
- ZS-PB (Portable Base)

## ZS-WFT

### Wire Frame Tray



## GENERAL INFORMATION

Project Name: \_\_\_\_\_  
 Item: \_\_\_\_\_  
 Quantity: \_\_\_\_\_  
 Model: \_\_\_\_\_ ZS-CS  
 Length: \_\_\_\_\_

## DESCRIPTION

The Crescent Sign is manufactured by BSI, LLC. This minimalist sign is the perfect display solution for modern environments. Attach this unique sign to any post for an upscale look. The sign can be single or double-sided. The height is fully adjustable and changing graphics is a snap.

The Crescent Sign is available in two sizes.

## STANDARD NSF LISTED FINISH OPTIONS

Only Available in Brushed Aluminum

## COMPONENT INCLUDES

### ZS-CS-8

- 2 ea. 8" Diameter Acrylic Panels
- 1 ea. Cantilever Sign Holder
- Post Not Included

### ZS-CS-11

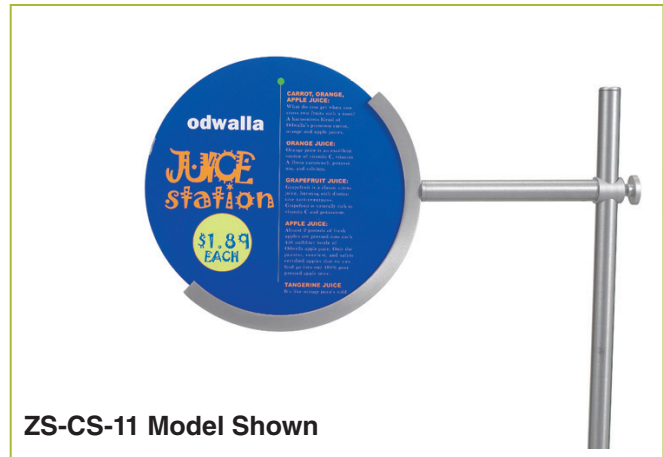
- 2 ea. 11" Diameter Acrylic Panels
- 1 ea. Cantilever Sign Holder
- Post Not Included

## INSTALLATION OPTIONS

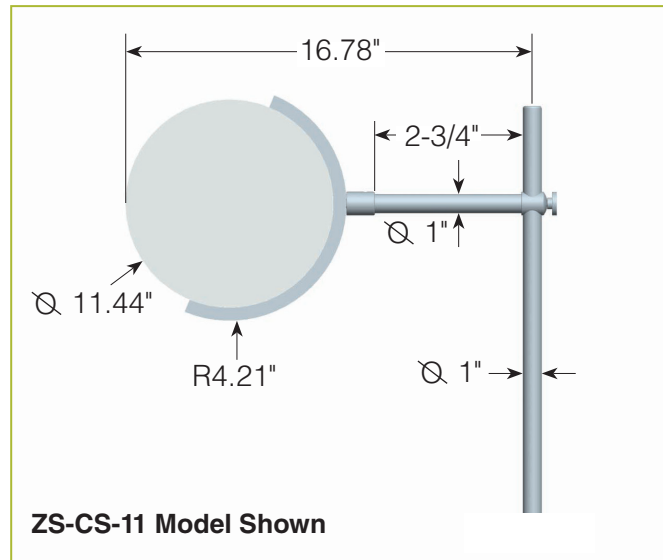
- 23" - 1" Diameter Post w/Installation Hardware
- 36" - 1" Diameter Post w/Installation Hardware
- ZS-PB (Portable Base)

## ZS-CS

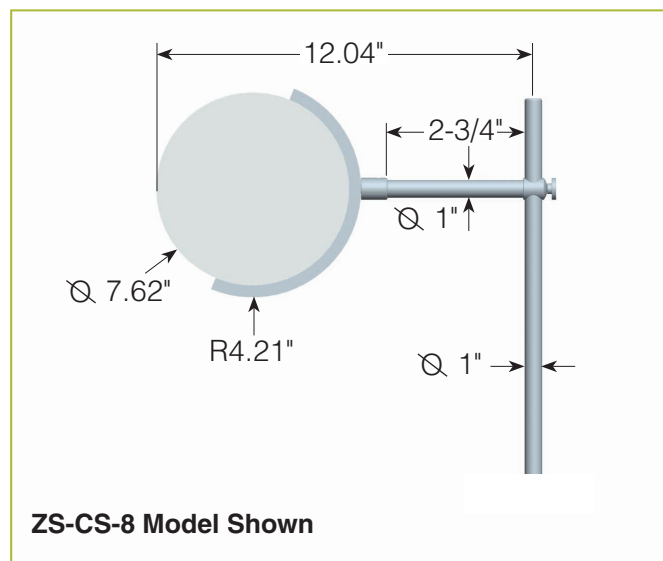
### Crescent Sign



ZS-CS-11 Model Shown



ZS-CS-11 Model Shown



ZS-CS-8 Model Shown



## GENERAL INFORMATION

**Project Name:** \_\_\_\_\_  
**Item:** \_\_\_\_\_  
**Quantity:** \_\_\_\_\_  
**Model:** ZS-AS11-TM  
**Length:** \_\_\_\_\_

## DESCRIPTION

The Post-Mounted Sign is manufactured by BSI, LLC. Make any 1" post food shield installation a point-of-purchase display with this post-mounted sign holder. It holds a standard 8-1/2" x 11" sheet of paper. Use it for daily specials, as directional signage or for any last-minute messages. The sign is mounted to a sleeve that simply slides over an existing post.

## STANDARD NSF LISTED FINISH OPTIONS

Post-Mount Sleeve Only Available in Brushed Aluminum

## COMPONENT INCLUDES

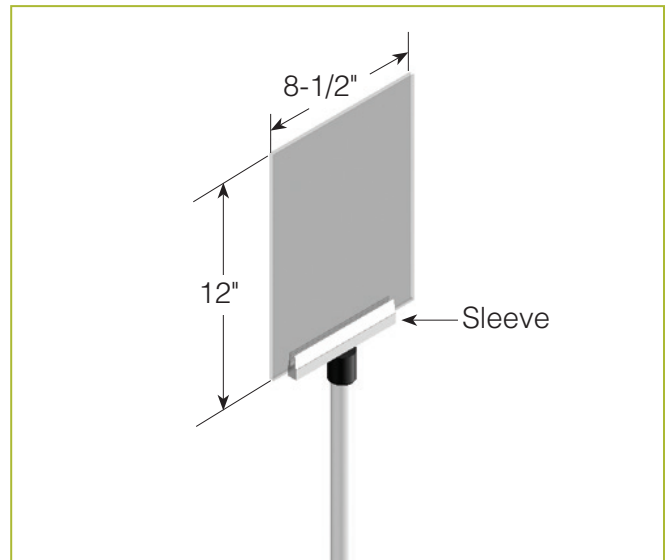
- ZS-AS11-TM
- 1 ea. Acrylic 8-1/2" x 12" Sign Holder
- 1 ea. Post-Mounted Sleeve
- Post Not Included

## INSTALLATION OPTIONS

- 23" - 1" Diameter Post w/Installation Hardware
- 36" - 1" Diameter Post w/Installation Hardware
- ZS-PB (Portable Base)

## ZS-AS11-TM

Post-Mounted Sign



## GENERAL INFORMATION

**Project Name:** \_\_\_\_\_  
**Item:** \_\_\_\_\_  
**Quantity:** \_\_\_\_\_  
**Model:** ZS-PB  
**Length:** \_\_\_\_\_

## DESCRIPTION

The Portable Base is manufactured by BSI, LLC. Take ZSpace anywhere with this heavy-duty base that lets you set up a display anywhere without screwing into your counters.

## STANDARD NSF LISTED FINISH OPTIONS

- |   |  |
|---|--|
| <input type="checkbox"/> Brushed Aluminum | <input type="checkbox"/> Chrome                |
| <input type="checkbox"/> Gloss Black      | <input type="checkbox"/> Wrinkle Black         |
| <input type="checkbox"/> Smoked Copper    | <input type="checkbox"/> Polished Brass Finish |
| <input type="checkbox"/> Other _____      |  |

## COMPONENT INCLUDES

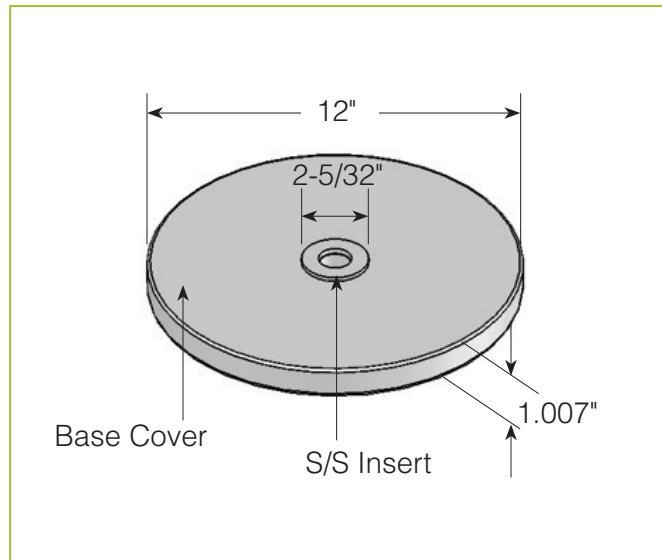
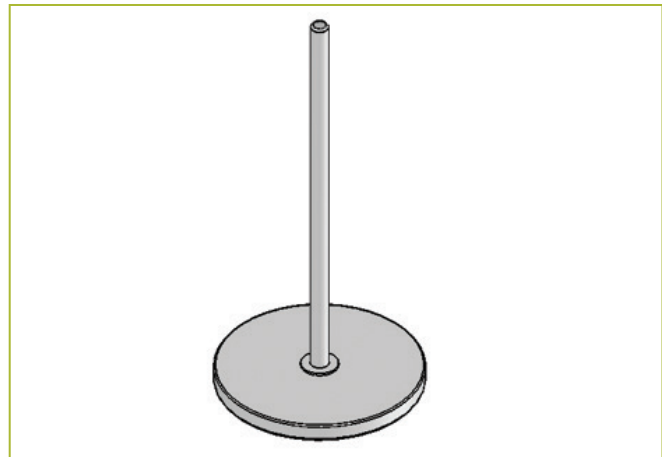
- ZS-PB
- 1 ea. Heavy Duty Weight
- 1 ea. Stainless Steel Cover
- 1 ea. Stainless Steel Insert
- 1 ea. 1" Post (must choose length)
  - 23"     36"     45"

## BASE COVER OPTION

- ZS-PB w/Black ABS Plastic Cover

## ZS-PB

Portable Base



## GENERAL INFORMATION

**Project Name:** \_\_\_\_\_  
**Item:** \_\_\_\_\_  
**Quantity:** \_\_\_\_\_  
**Model:** ZS-PAR \_\_\_\_\_  
**Length:** \_\_\_\_\_

## DESCRIPTION

The Post and Rail™ Sign System is manufactured by BSI, LLC. Your ZSpace menu sign system starts with the Post and Rail™ kit. This unit installas onto any counter or cart and holds a variety of menu boards and signage systems. Once you determine the length, choose one of our menu frames or something that works best for your envirnment.

## STANDARD NSF LISTED FINISH OPTIONS

- |   |  |
|---|--|
| <input type="checkbox"/> Brushed Aluminum | <input type="checkbox"/> Chrome                |
| <input type="checkbox"/> Gloss Black      | <input type="checkbox"/> Wrinkle Black         |
| <input type="checkbox"/> Smoked Copper    | <input type="checkbox"/> Polished Brass Finish |
| <input type="checkbox"/> Other _____      |  |

## COMPONENT INCLUDES

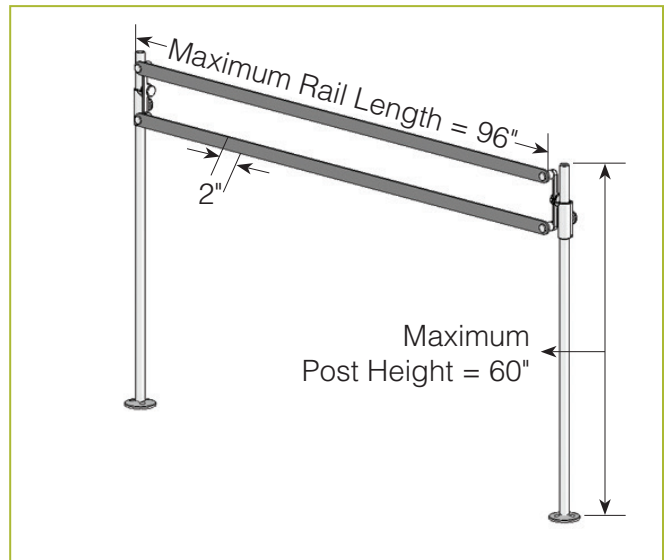
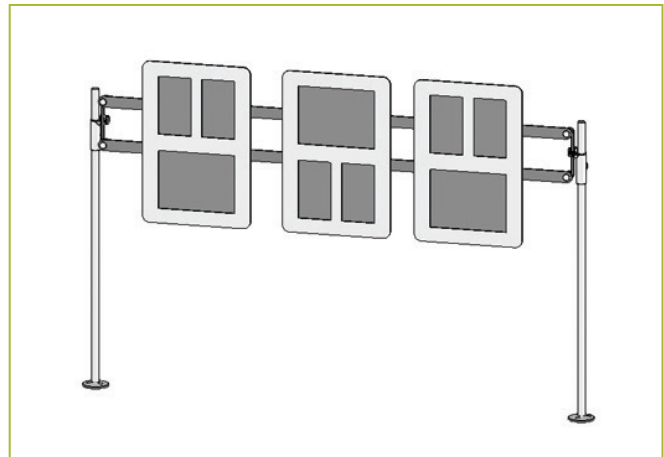
- ZS-PAR
- 2 ea. ZGuard Brackets
- 2 ea. 2" Wide Rails (must specify length up to 8')
- 2 ea. 41" ZGuard Posts (custom lengths available)
- 2 ea. Heavy-Duty Above Counter Installation Flanges w/Covers

## POST & RAIL OPTIONS

- Custom Post Height (maximum 60") \_\_\_\_\_
- Custom Rail Length (maximum 96") \_\_\_\_\_

## ZS-PAR

### Post and Rail™ Sign System



## GENERAL INFORMATION

**Project Name:** \_\_\_\_\_  
**Item:** \_\_\_\_\_  
**Quantity:** \_\_\_\_\_  
**Model:** \_\_\_\_\_ ZS-MF-1 \_\_\_\_\_  
**Length:** \_\_\_\_\_

## DESCRIPTION

The Menu Frames are manufactured by BSI, LLC. If you want the ultimate in menu and sign flexibility, the Modular Menu Frame system is a perfect solution. Designed to hold standard 8-1/2" x 11" paper, you can print your graphics or menu items on any printer and change items as often as you wish.

Frames may be hung vertically or horizontally.

## COMPONENT INCLUDES

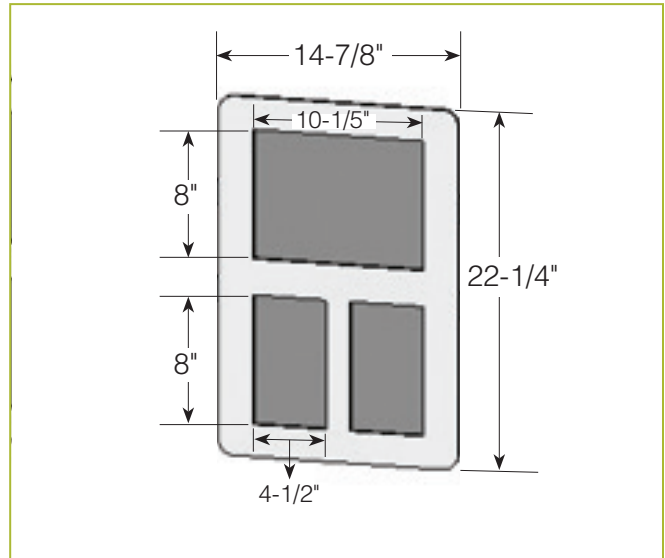
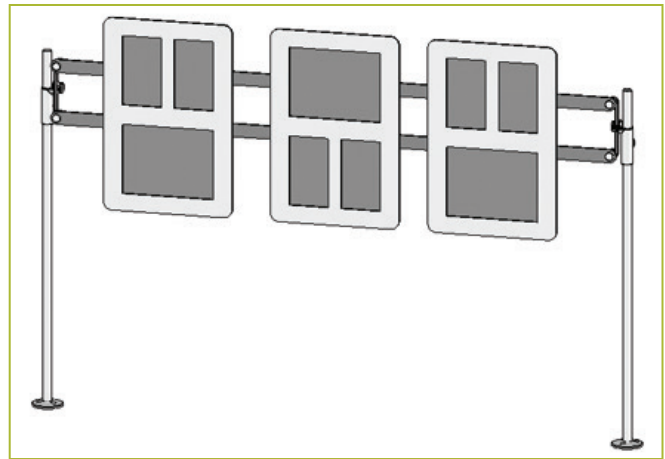
- ZS-MF-1
- 1 ea. Modular Menu Frame w/Hanging Bracket
- Post and Rail Not Included

## FRAME COLOR OPTIONS

- Black
- Red
- Blue
- Other \_\_\_\_\_

## ZS-MF-1

### Menu Frames



## GENERAL INFORMATION

**Project Name:** \_\_\_\_\_  
**Item:** \_\_\_\_\_  
**Quantity:** \_\_\_\_\_  
**Model:** ZS-AS08-B  
**Length:** \_\_\_\_\_

## DESCRIPTION

The Aluminum Trivet is manufactured by BSI, LLC. These functional and elegant trivets are made of 3/8" aluminum. It's a clean and contemporary look that will hold up to the toughest environments.

## STANDARD NSF LISTED FINISH OPTIONS

Only Available in Brushed Aluminum

## COMPONENT INCLUDES

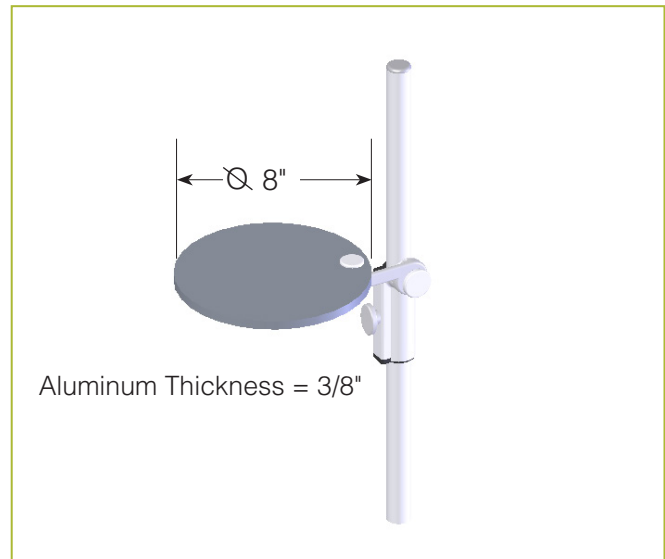
- ZS-AS08-B
- 1 ea. 8" Aluminum Trivet w/ZGuard Bracket Connector
- Post Not Included

## INSTALLATION OPTIONS

- 23" - 1" Diameter Post w/Installation Hardware
- 36" - 1" Diameter Post w/Installation Hardware
- ZS-PB (Portable Base)

## ZS-AS08-B

Aluminum Trivet



## GENERAL INFORMATION

**Project Name:** \_\_\_\_\_  
**Item:** \_\_\_\_\_  
**Quantity:** \_\_\_\_\_  
**Model:** ZS-AS08-B \_\_\_\_\_  
**Length:** \_\_\_\_\_

## DESCRIPTION

The Acrylic Trivet is manufactured by BSI, LLC. These functional and elegant trivets are made of 1/4" acrylic; they are durable enough to hold up in high-volume environments.

## STANDARD NSF LISTED FINISH OPTIONS

Only Available in Brushed Aluminum

## COMPONENT INCLUDES

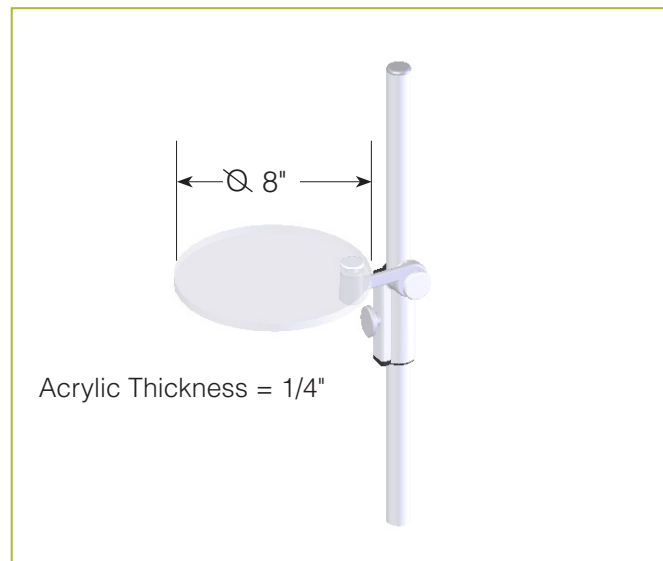
- ZS-GS08-B
- 1 ea. 8" Acrylic Trivet w/ZGuard Bracket Connector
- Post Not Included

## INSTALLATION OPTIONS

- 23" - 1" Diameter Post w/Installation Hardware
- 36" - 1" Diameter Post w/Installation Hardware
- ZS-PB (Portable Base)

## ZS-ACS08-B

Acrylic Trivet



## GENERAL INFORMATION

**Project Name:** \_\_\_\_\_  
**Item:** \_\_\_\_\_  
**Quantity:** \_\_\_\_\_  
**Model:** ZS-AT11-B  
**Length:** \_\_\_\_\_

## DESCRIPTION

The Aluminum Display Tray is manufactured by BSI, LLC. This functional and modern tray is made of 1/8" aluminum. It's a clean and contemporary look that will hold up in the toughest environments.

Aluminum Display Tray is available as a single or double unit.

## STANDARD NSF LISTED FINISH OPTIONS

Only Available in Brushed Aluminum

## COMPONENT INCLUDES

ZS-AT11-1-B  
 1 ea. Aluminum Tray w/ZGuard Bracket Connector  
 Post Not Included

ZS-AT11-2-B  
 2 ea. Aluminum Trays w/ZGuard Bracket Connector  
 Post Not Included

## INSTALLATION OPTIONS

23" - 1" Diameter Post w/Installation Hardware  
 36" - 1" Diameter Post w/Installation Hardware  
 ZS-PB (Portable Base)

## ZS-AT11-B

Aluminum Display Tray

