

## GENERAL INFORMATION

**Project Name:** \_\_\_\_\_

**Item:** \_\_\_\_\_

**Quantity:** \_\_\_\_\_

**Model:** AX7915

**Length:** \_\_\_\_\_

## STANDARD SPECIFICATIONS

- 1" Diameter Brushed Aluminum Posts
- 3/8" Clear Tempered Front Glass Panels (max. span 66")
- 3/8" Clear Tempered Glass Top Shelf
- 1/4" Clear Tempered Glass End Panels
- 1" Radius Glass Corners
- Top Glass Clips

## OPTIONS AND ACCESSORIES

### NSF-LISTED FINISH OPTIONS

- |  |   |
|--|---|
| <input type="checkbox"/> Brushed Aluminum (Standard) | <input type="checkbox"/> Stainless Steel #4 |
| <input type="checkbox"/> Stainless Steel #8 (Chrome) | <input type="checkbox"/> Matte Black        |
| <input type="checkbox"/> Gloss Black                 | <input type="checkbox"/> Wrinkle Black      |
| <input type="checkbox"/> Prismatic Brass             | <input type="checkbox"/> Smoked Copper      |
| <input type="checkbox"/> Statuary Bronze             |   |
| <input type="checkbox"/> Other _____                 |   |

### GLASS FINISHES

- |   |   |
|---|---|
| <input type="checkbox"/> Clear (Standard) | <input type="checkbox"/> Low Iron             |
| <input type="checkbox"/> Frosted          | <input type="checkbox"/> Frosted Logo/Imprint |
| <input type="checkbox"/> Pattern          |   |

### GLASS CORNERS

- 1" Radius Corners (Standard)     Square Corners

### MOUNTING STYLES (SELECT ONE)

See Installation Page for More Details

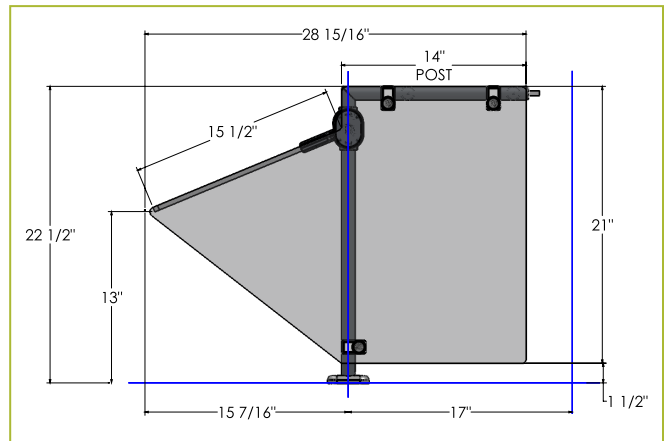
**Under Counter:** Stainless Steel Counter

(Requires Under-Counter Reinforcement & Access)

**Under Counter:** Millwork Counter

## AX7915

Self Serve w/ Top Shelf, Single Post



To meet NSF guidelines, end panels are included on all BSI quotations unless specifically excluded. (See end panel page for more details).

### LIGHT OPTIONS

| Model #                       | Description            |
|-------------------------------|------------------------|
| <input type="checkbox"/> 2580 | BSI Slimline LED Light |

All BSI light units are UL Listed. See light spec sheets for detailed information. Axces is also available with other manufacturers' light units. Contact BSI for details.

- |  |  |
|--|--|
| <input type="checkbox"/> SSU3-H: Heavy-Duty Flange   | <input type="checkbox"/> SSU5-N: Narrow Flange   |
| <input type="checkbox"/> SSU3-N: Narrow Flange   |  |
| <input type="checkbox"/> SSU5-H: Heavy-Duty Flange   |  |
| <input type="checkbox"/> MWU3: Narrow Flange   | <input type="checkbox"/> MWU5: Heavy-Duty Flange |
| <input type="checkbox"/> MWU4: Compression Installation (not recommended for solid surfaces) |  |