

GENERAL INFORMATION

Project Name: _____

Item: _____

Quantity: _____

Model: AG2935

Length: _____

STANDARD SPECIFICATIONS

- 1" Diameter Stainless Steel Posts
- 3/8" Clear Tempered Front Glass Panels (max. span 66")
- 3/8" Clear Tempered Glass Top Shelf (max. span 66")
- Max Center Line Post-to-Post Span = 78"
- 1/4" Clear Tempered Glass End Panels
- 1" Radius Glass Corners

OPTIONS AND ACCESSORIES

NSF-LISTED FINISH

- Brushed Aluminum
- Matte Black
- Gloss Black
- Other _____

GLASS FINISHES

- Clear (Standard)
- Low-Iron
- Frosted
- Frosted Logo/Imprint
- Pattern

GLASS CORNERS

- 1" Radius Corners (Standard)
- Square Corners

GLASS PANEL OPTIONS

- 1/4" Glass (max. span 54")
- 3/8" Glass (max. span 66") (Standard)
- 1/2" Glass (max. span 72")

LIGHT AND WARMER OPTIONS

Model #	Description
<input type="checkbox"/> 2580	BSI Slimline LED Light
<input type="checkbox"/> 790	BSI Stealth Heat-Only Warmer
<input type="checkbox"/> 705	BSI Stealth Heat-Light Combo
<input type="checkbox"/> 500	BSI Stealth Heat-Light-Heat Combo

All BSI light and warmer units are UL Listed. See light and warmer spec sheets for detailed information. Access is also available with other manufacturers' heat and light units. Contact BSI for details.

MOUNTING STYLES (SELECT ONE)

See installation page for more details.

Above Counter: Stainless Steel Counter

Under Counter: Stainless Steel Counter

(Requires Under-Counter Reinforcement & Access)

Above Counter: Millwork Counter

Under Counter: Millwork Counter

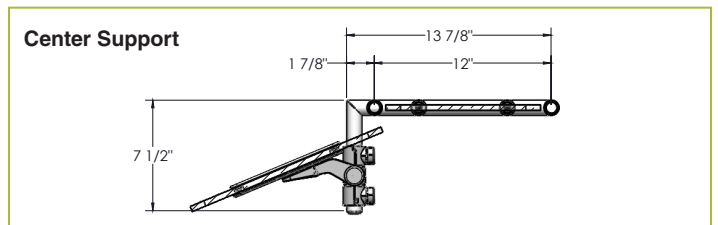
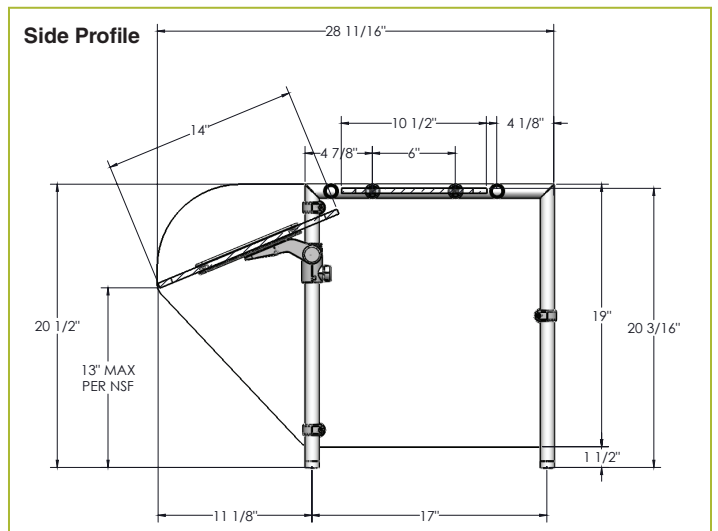
Approval Drawings Required
Specifications subject to change without notice.

AG2935 ClearSpan

Self Serve w/Top Shelf,
U-Shaped End Posts w/ Shortened Center Post



To meet NSF guidelines, end panels are included on all BSI quotations unless specifically excluded. (See end panel page for more details.)



- SSI: EZ Mount 2" x 8" Flange
- SSU3-H: Heavy-Duty Flange
- SSU3-N: Narrow Flange
- SSU5-H: Heavy-Duty Flange
- SSU5-N: Narrow Flange
- MW1: Heavy-Duty Flange
- MW2: Narrow Flange
- MWU3: Narrow Flange
- MWU5: Heavy-Duty Flange
- MWU4: Compression Installation (not recommended for solid surfaces)