

GENERAL INFORMATION

Project Name: _____

Item: _____

Quantity: _____

Model: CV100-3 _____

Length: _____

CV100-3

ClearView Bonded Glass, Full Service w/ Top Shelf



OPTIONS AND ACCESSORIES

GLASS OPTIONS

- 3/8" Tempered Glass - Overall Max 66"
- 1/2" Tempered Glass - Centerline Max 72"

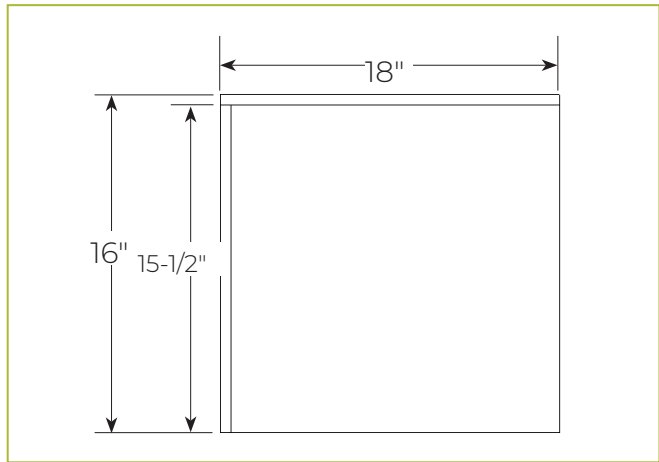
LIGHT AND WARMER OPTIONS

Light and warmer housings can be installed as stand alone units or mounted to the top glass.

- Slimline 2580 Light-Only Unit
- Stealth 790 Heat-Only Unit
- Stealth 705 Light & Warmer Combo Unit

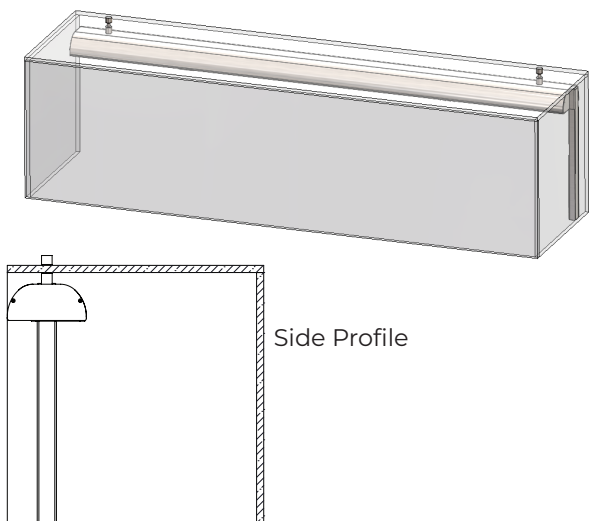
INSTALLATION OPTIONS

- Square Glass Clips (Secured to Counter)
- Round Glass Clips (Secured to Counter)
- Flush to Counter, Sealed with Silicone
- Custom Clamp (Secured to Counter)

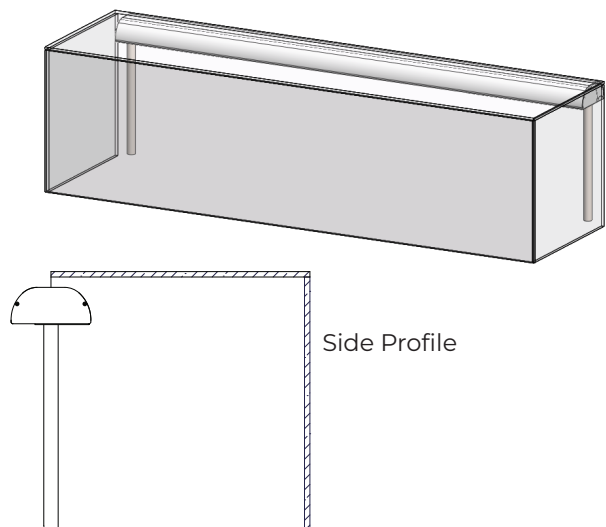


INSTALLATION METHODS

Light & Warmer Glass Mounted Configuration



Light & Warmer Stand Alone Configuration



Approval Drawings Required
 Specifications subject to change without notice.



09.24