

GENERAL INFORMATION

Project Name: _____

Item: _____

Quantity: _____

Model: CV100-4 _____

Length: _____

OPTIONS AND ACCESSORIES

GLASS OPTIONS

- 3/8" Tempered Glass - Overall Max 66"
- 1/2" Tempered Glass - Centerline Max 72"

LIGHT AND WARMER OPTIONS

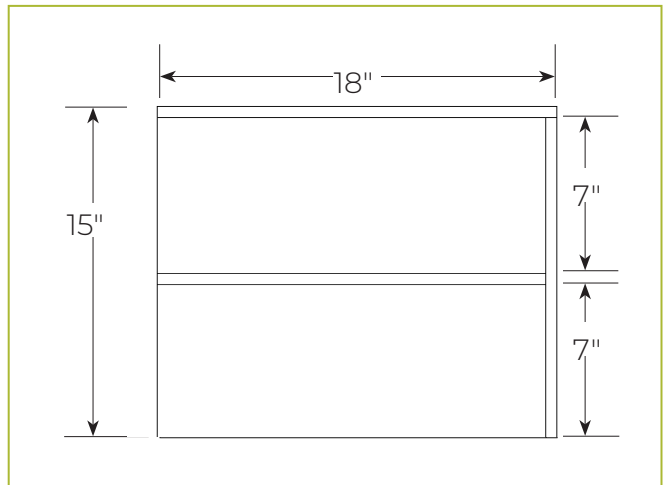
Light and warmer housings can be added with alterations to the shelving height. Contact BSI for details.

INSTALLATION OPTIONS

- Square Glass Clips (Secured to Counter)
- Round Glass Clips (Secured to Counter)
- Flush to Counter, Sealed with Silicone
- Custom Clamp (Secured to Counter)

CV100-4

ClearView Bonded Glass, Two-Tier Full Service w/ Top Shelf



Shown with a closed front and open back. Also available with open front and back for self service applications.