

## GENERAL INFORMATION

Project Name: \_\_\_\_\_

Item: \_\_\_\_\_

Quantity: \_\_\_\_\_

Model: CV100-5 \_\_\_\_\_

Length: \_\_\_\_\_

## OPTIONS AND ACCESSORIES

### GLASS OPTIONS

- 3/8" Tempered Glass - Overall Max 66"
- 1/2" Tempered Glass - Centerline Max 72"

### LIGHT AND WARMER OPTIONS

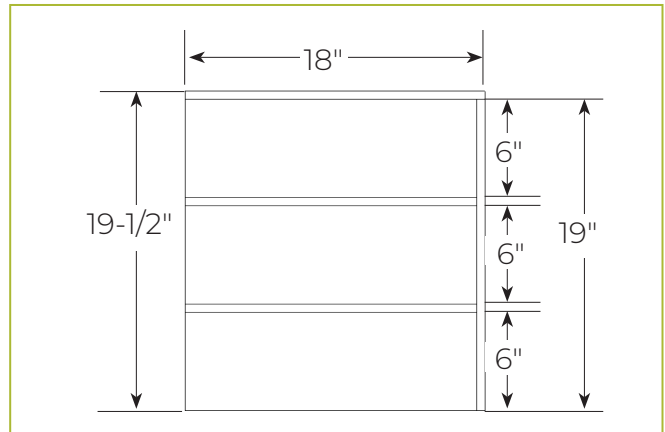
Light and warmer housings can be added with alterations to the shelving height. Contact BSI for details.

### INSTALLATION OPTIONS

- Square Glass Clips (Secured to Counter)
- Round Glass Clips (Secured to Counter)
- Flush to Counter, Sealed with Silicone
- Custom Clamp (Secured to Counter)

## CV100-5

ClearView Bonded Glass, Three-Tier Full Service w/ Top Shelf



Shown with closed front and open back. Also available with open front and back for self service applications.