

GENERAL INFORMATION

Project Name: _____
Item: _____
Quantity: _____
Model: CP-500N
Length: _____

The CP-500N is manufactured by BSI, LLC. The refrigerated rotating cold pan offers a unique approach in holding and displaying food items. It's round, multi-bin form factor allows multiple food offerings from a compact space. By spinning the outer ring of the unit the customer can quickly rotate it to allow access to the food bin of their choice.

The CP-500N is available as a part of a larger counter unit or a self-contained mobile unit.

GENERAL SPECIFICATION

Materials

- 14 Gauge #4 Brushed Finish Type 304 Stainless Interior Pan Liner and Top Flange
- 18 Gauge Galvanized Exterior Pan Liner
- 14 Gauge Galvanized Condensing Unit Housing
- 1-1/2" Thick Standard Foam in Place Insulation

Construction

- NSF Standard 7 Construction Refrigerators and Freezers
 - CP-500N pans are 3" below counter for cold air to circulate over the food
- R404a Refrigerant

Standard Size

- 9" Unit Depth with 6" Pans
- Diameter: 24", 30", or 36" (inside tub dimension)

UNIT DIAMETER

- 24" with 6 Bain Mariers or 4 Triangle Pans
- 30" with 12 Bain Mariers or 4 Triangle Pans
- 36" with 18 Bain Mariers or 4 Triangle Pans

PAN OPTIONS

- Standard Bain Marie (4-3/8" Diameter)
- Standard 6" Triangular Pan (Qty. 4)

Custom pan sizes and configurations are available. Contact BSI for more information.

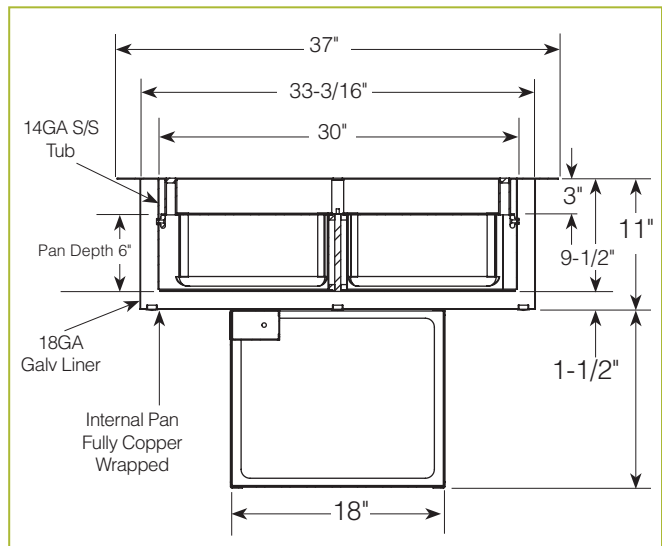


* Approval Drawings Required

Printed in the U.S.A. (January 2020 BSI, LLC
 Specifications subject to change without notice.

CP-500N

Drop-in Rotating Cold Pan



REFRIGERATION UNIT OPTIONS

- Self-Contained (Standard)
- Remote
 - Less condensing unit
 - Unit includes refrigerated cold pan, digital thermostat, expansion valve and solenoid valve.

ACCESSORIES

- Remote Control Panel for Counter Mounting
- Food Shield (Contact BSI for more information.)

MODEL	CP-500N-24	CP-500N-30	CP-500N-36
Compressor	1/4 Hp	1/4 Hp	1/4 Hp
Refrigerant	R404a	R404a	R404a
Volts	120	120	120
Amps	6.7	6.7	6.7
BTU's	500	700	1000
Plug	NEMA 5-15	NEMA 5-15	NEMA 5-15