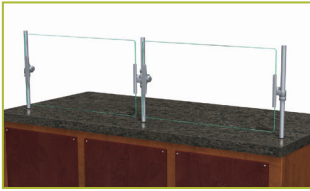
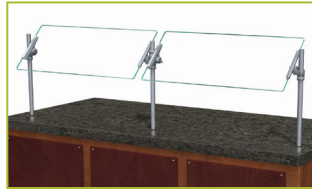


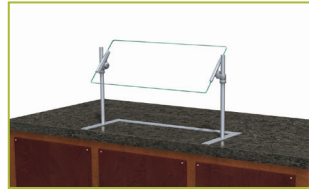
## QUICK REFERENCE GUIDE



DECO-900



DECO-901



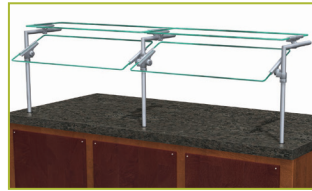
DECO-902



DECO-932



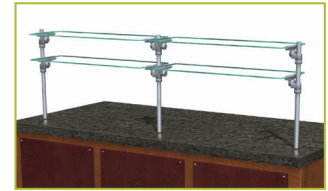
DECO-935



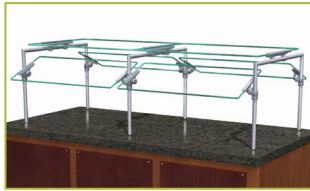
DECO-950



DECO-953



DECO-965



DECO-970

## GENERAL INFORMATION

**Project Name:** \_\_\_\_\_  
**Item:** \_\_\_\_\_  
**Quantity:** \_\_\_\_\_  
**Model:** DECO-900 \_\_\_\_\_  
**Length:** \_\_\_\_\_

## STANDARD NSF LISTED FINISH OPTIONS

- |                                             |                                                |
|---------------------------------------------|------------------------------------------------|
| <input type="checkbox"/> Stainless Steel #4 | <input type="checkbox"/> Chrome                |
| <input type="checkbox"/> Gloss Black        | <input type="checkbox"/> Wrinkle Black         |
| <input type="checkbox"/> Smoked Copper      | <input type="checkbox"/> Polished Brass Finish |
| <input type="checkbox"/> Other _____        |                                                |

## GLASS THICKNESS

- 1/4" Tempered Glass (not for shelves)  
Centerline Max 54"
- 3/8" Tempered Glass (for shelf or span more than 54")  
Centerline Max 66"
- 1/2" Tempered Glass (for shelf or span more than 66")  
Centerline Max 72"

## GLASS CORNERS

- 1" Radius Corner (standard)
- Square Corners

## INSTALLATION OPTIONS

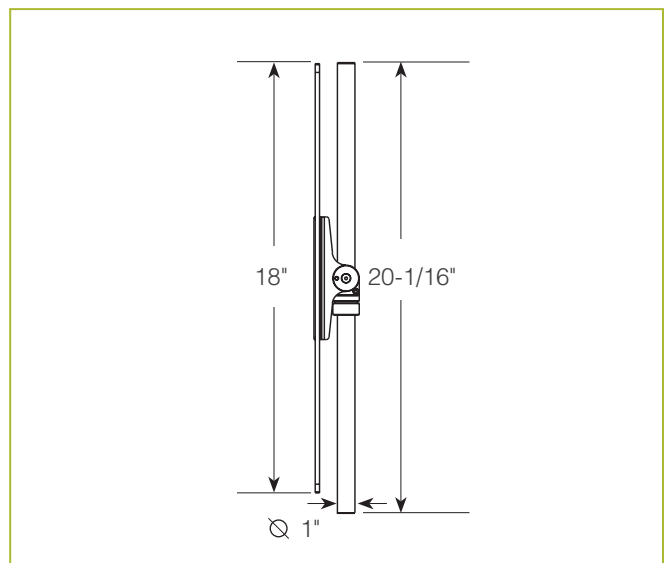
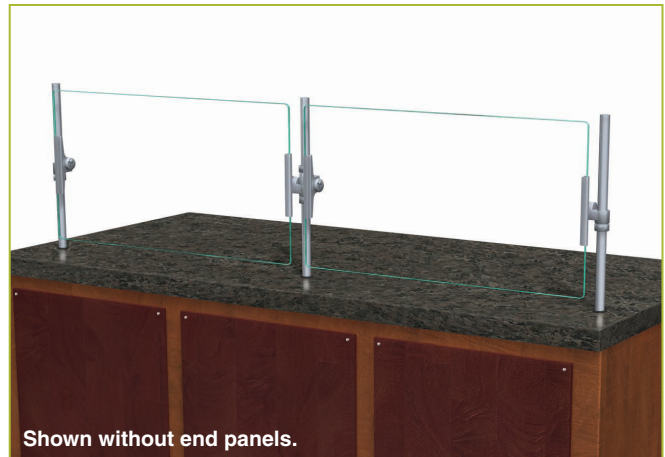
**Above-Counter:** Stainless Steel Counter  
**Under-Counter:** Stainless Steel Counter  
 (Requires Under-Counter Reinforcement & Access)

**Above-Counter:** Millwork Counter  
**Under-Counter:** Millwork Counter

See Installation Page for More Details.

## DECO-900

Operator-Serve and/or Partition



To meet NSF guidelines, end panels are included on all BSI quotations unless specifically excluded. (See End Panel Page for More Details.)

- DECO Above-Counter Flange
- SSU3-H: Heavy-Duty Flange
- SSU3-N: Narrow Flange
- SSU5-H: Heavy-Duty Flange
- SSU5-N: Narrow Flange
- DECO Above-Counter Flange
- MWU3: Narrow Flange
- MWU4: Compression Installation (not recommended for solid surfaces)
- MWU5: Heavy-Duty Flange

\* Approval Drawings Required



## GENERAL INFORMATION

**Project Name:** \_\_\_\_\_  
**Item:** \_\_\_\_\_  
**Quantity:** \_\_\_\_\_  
**Model:** DECO-901 \_\_\_\_\_  
**Length:** \_\_\_\_\_

## STANDARD NSF LISTED FINISH OPTIONS

- |                                             |                                                |
|---------------------------------------------|------------------------------------------------|
| <input type="checkbox"/> Stainless Steel #4 | <input type="checkbox"/> Chrome                |
| <input type="checkbox"/> Gloss Black        | <input type="checkbox"/> Wrinkle Black         |
| <input type="checkbox"/> Smoked Copper      | <input type="checkbox"/> Polished Brass Finish |
| <input type="checkbox"/> Other _____        |                                                |

## GLASS THICKNESS

- 1/4" Tempered Glass (not for shelves)  
Centerline Max 54"
- 3/8" Tempered Glass (for shelf or span more than 54")  
Centerline Max 66"
- 1/2" Tempered Glass (for shelf or span more than 66")  
Centerline Max 72"

## GLASS CORNERS

- 1" Radius Corner (standard)
- Square Corners

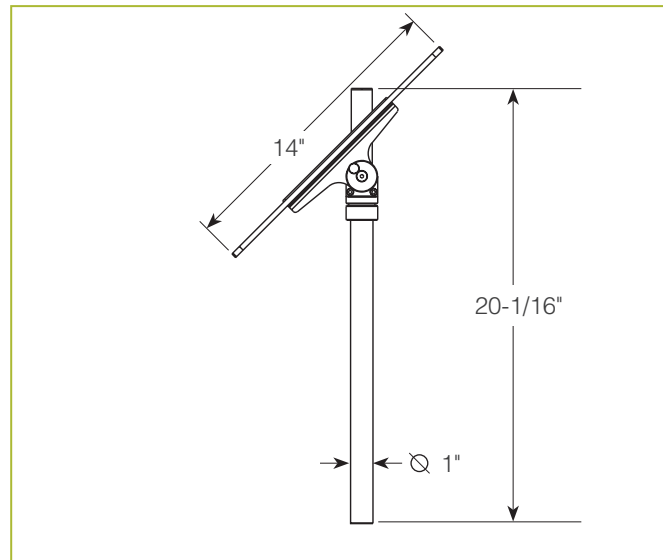
## INSTALLATION OPTIONS

**Above-Counter:** Stainless Steel Counter  
**Under-Counter:** Stainless Steel Counter  
 (Requires Under-Counter Reinforcement & Access)

**Above-Counter:** Millwork Counter  
**Under-Counter:** Millwork Counter

See Installation Page for More Details.

## DECO-901 Combo-Serve



To meet NSF guidelines, end panels are included on all BSI quotations unless specifically excluded. (See End Panel Page for More Details.)

- DECO Above-Counter Flange
- SSU3-H: Heavy-Duty Flange
- SSU3-N: Narrow Flange
- SSU5-H: Heavy-Duty Flange
- SSU5-N: Narrow Flange
- DECO Above-Counter Flange
- MWU3: Narrow Flange
- MWU4: Compression Installation (not recommended for solid surfaces)
- MWU5: Heavy-Duty Flange

\* Approval Drawings Required



### GENERAL INFORMATION

Project Name: \_\_\_\_\_  
 Item: \_\_\_\_\_  
 Quantity: \_\_\_\_\_  
 Model: DECO-902 \_\_\_\_\_  
 Length: \_\_\_\_\_

### STANDARD NSF LISTED FINISH OPTIONS

- |                                             |                                                |
|---------------------------------------------|------------------------------------------------|
| <input type="checkbox"/> Stainless Steel #4 | <input type="checkbox"/> Chrome                |
| <input type="checkbox"/> Gloss Black        | <input type="checkbox"/> Wrinkle Black         |
| <input type="checkbox"/> Smoked Copper      | <input type="checkbox"/> Polished Brass Finish |
| <input type="checkbox"/> Other _____        |                                                |

### GLASS THICKNESS

- |                                                                                                      |
|------------------------------------------------------------------------------------------------------|
| <input type="checkbox"/> 1/4" Tempered Glass (not for shelves)<br>Centerline Max 54"                 |
| <input type="checkbox"/> 3/8" Tempered Glass (for shelf or span more than 54")<br>Centerline Max 66" |
| <input type="checkbox"/> 1/2" Tempered Glass (for shelf or span more than 66")<br>Centerline Max 72" |

### GLASS CORNERS

- |                                                      |                                         |
|------------------------------------------------------|-----------------------------------------|
| <input type="checkbox"/> 1" Radius Corner (standard) | <input type="checkbox"/> Square Corners |
|------------------------------------------------------|-----------------------------------------|

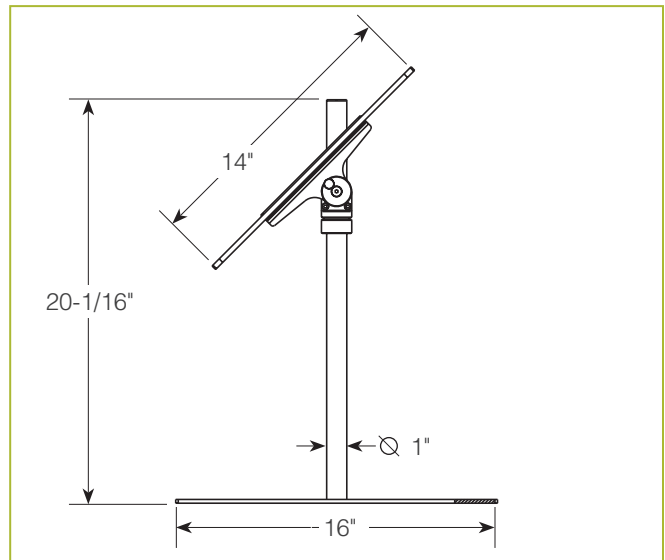
For overall dimension greater than 47" please call the BSI Factory.

## DECO-902

Portable Market Guard



Shown without end panels.



To meet NSF guidelines, end panels are included on all BSI quotations unless specifically excluded. (See End Panel Page for More Details.)

\* Approval Drawings Required



11.23

## GENERAL INFORMATION

Project Name: \_\_\_\_\_  
 Item: \_\_\_\_\_  
 Quantity: \_\_\_\_\_  
 Model: \_\_\_\_\_ DECO-932  
 Length: \_\_\_\_\_

## STANDARD NSF LISTED FINISH OPTIONS

- Stainless Steel #4
- Chrome
- Gloss Black
- Wrinkle Black
- Smoked Copper
- Polished Brass Finish
- Other \_\_\_\_\_

## LIGHT AND WARMER OPTIONS

- LED Light Unit
- Linear T-5 Fluorescent Unit
- BSI Stealth™ Linear Heat Only Unit
- BSI Stealth™ Linear Heat and Light Combo Unit (Fluorescent)
- BSI Stealth™ Linear Heat and Light Combo Unit (LED)
- BSI Stealth™ Linear Double Heat and Light Combo Unit (Fluorescent)
- BSI Stealth™ Linear Double Heat and Light Combo Unit (LED)
- Hatco® Brand Heat Only Unit
- Hatco® Brand Heat and Light Combo Unit

## GLASS THICKNESS

- 1/4" Tempered Glass (not for shelves)  
Centerline Max 54"
- 3/8" Tempered Glass (for shelf or span more than 54")  
Centerline Max 66"
- 1/2" Tempered Glass (for shelf or span more than 66")  
Centerline Max 72"

## GLASS CORNERS

- 1" Radius Corner (standard)
- Square Corners

## INSTALLATION OPTIONS

**Above-Counter:** Stainless Steel Counter  
**Under-Counter:** Stainless Steel Counter  
 (Requires Under-Counter Reinforcement & Access)

**Above-Counter:** Millwork Counter  
**Under-Counter:** Millwork Counter

See Installation Page for More Details.

- DECO Above-Counter Flange
- SSU3-H: Heavy-Duty Flange
- SSU3-N: Narrow Flange
- SSU5-H: Heavy-Duty Flange
- SSU5-N: Narrow Flange
- DECO Above-Counter Flange
- MWU3: Narrow Flange
- MWU4: Compression Installation (not recommended for solid surfaces)
- MWU5: Heavy-Duty Flange

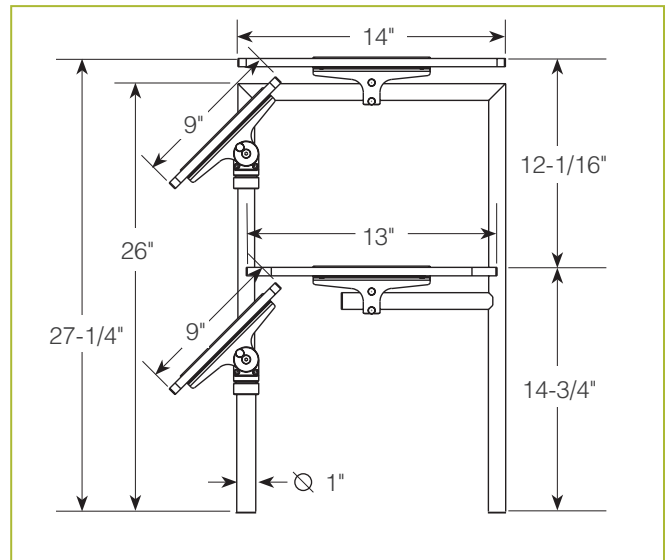


11.23

## DECO-932 Two-Tier Display Case



Shown without end panels.



To meet NSF guidelines, end panels are included on all BSI quotations unless specifically excluded. (See End Panel Page for More Details.)

\* Approval Drawings Required

## GENERAL INFORMATION

**Project Name:** \_\_\_\_\_

**Item:** \_\_\_\_\_

**Quantity:** \_\_\_\_\_

**Model:** \_\_\_\_\_ DECO-935 \_\_\_\_\_

**Length:** \_\_\_\_\_

## STANDARD SPECIFICATIONS

- 1" Diameter Stainless Steel Posts
- 3/8" Clear Tempered Front Glass Panels (max. span 66")
- 3/8" Clear Tempered Glass Top Shelf (max. span 66")
- Max Center Line Post-to-Post Span = 78"
- 1/4" Clear Tempered Glass End Panels
- 1" Radius Glass Corners

## OPTIONS AND ACCESSORIES

### NSF-LISTED FINISH OPTIONS

- Stainless Steel (Standard)
- Stainless Steel #4
- Stainless Steel #8 (Chrome)
- Matte Black
- Gloss Black
- Wrinkle Black
- Prismatic Brass
- Smoked Copper
- Statuary Bronze
- Other \_\_\_\_\_

### GLASS FINISHES

- Clear (Standard)
- Low-Iron
- Frosted
- Frosted Logo/Imprint
- Pattern

### GLASS CORNERS

- 1" Radius Corners (Standard)
- Square Corners

### GLASS PANEL OPTIONS

- 1/4" Glass (max. span 54")
- 3/8" Glass (max. span 66") (Standard)
- 1/2" Glass (max. span 72")

### MOUNTING STYLES (SELECT ONE)

See installation page for more details.

**Above Counter:** Stainless Steel Counter

**Under Counter:** Stainless Steel Counter

(Requires Under-Counter Reinforcement & Access)

**Above Counter:** Millwork Counter

**Under Counter:** Millwork Counter

Approval Drawings Required  
Specifications subject to change without notice.

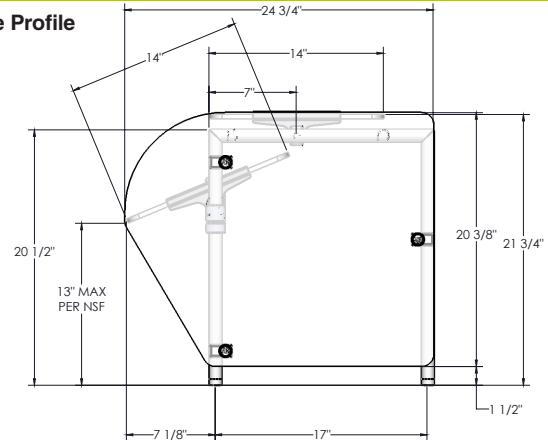
## DECO-935 ClearSpan

Self Serve w/Top Shelf, U-Shaped End Posts  
w/ Shortened Center Post

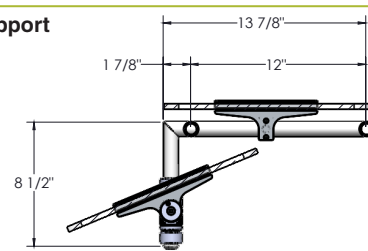


To meet NSF guidelines, end panels are included on all BSI quotations unless specifically excluded. (See End Panel Page for More Details.)

### Side Profile



### Center Support



### LIGHT AND WARMER OPTIONS

Model #	Description
<input type="checkbox"/> 2580	BSI Slimline LED Light
<input type="checkbox"/> 790	BSI Stealth Heat-Only Warmer
<input type="checkbox"/> 705	BSI Stealth Heat-Light Combo
<input type="checkbox"/> 500	BSI Stealth Heat-Light-Heat Combo

All BSI light and warmer units are UL Listed. See light and warmer spec sheets for detailed information. Acces is also available with other manufacturers' heat and light units. Contact BSI for details.

- SS1: EZ Mount 2" x 8" Flange
- SSU3-H: Heavy-Duty Flange
- SSU5-H: Heavy-Duty Flange
- MW1: Heavy-Duty Flange
- MWU3: Narrow Flange
- MWU4: Compression Installation (not recommended for solid surfaces)
- SSU3-N: Narrow Flange
- SSU5-N: Narrow Flange
- MW2: Narrow Flange
- MWU5: Heavy-Duty Flange



## GENERAL INFORMATION

**Project Name:** \_\_\_\_\_  
**Item:** \_\_\_\_\_  
**Quantity:** \_\_\_\_\_  
**Model:** DECO-950 \_\_\_\_\_  
**Length:** \_\_\_\_\_

## STANDARD NSF LISTED FINISH OPTIONS

- |                                             |                                                |
|---------------------------------------------|------------------------------------------------|
| <input type="checkbox"/> Stainless Steel #4 | <input type="checkbox"/> Chrome                |
| <input type="checkbox"/> Gloss Black        | <input type="checkbox"/> Wrinkle Black         |
| <input type="checkbox"/> Smoked Copper      | <input type="checkbox"/> Polished Brass Finish |
| <input type="checkbox"/> Other _____        |                                                |

## LIGHT OPTIONS

- LED Light Unit  
 Linear T-5 Fluorescent Unit

For warmers contact BSI factory.

## GLASS THICKNESS

- 1/4" Tempered Glass (not for shelves)  
 Centerline Max 54"  
 3/8" Tempered Glass (for shelf or span more than 54")  
 Centerline Max 66"  
 1/2" Tempered Glass (for shelf or span more than 66")  
 Centerline Max 72"

## GLASS CORNERS

- 1" Radius Corner (standard)     Square Corners

## INSTALLATION OPTIONS

**Above-Counter:** Stainless Steel Counter  
**Under-Counter:** Stainless Steel Counter  
 (Requires Under-Counter Reinforcement & Access)

**Above-Counter:** Millwork Counter  
**Under-Counter:** Millwork Counter

See Installation Page for More Details.

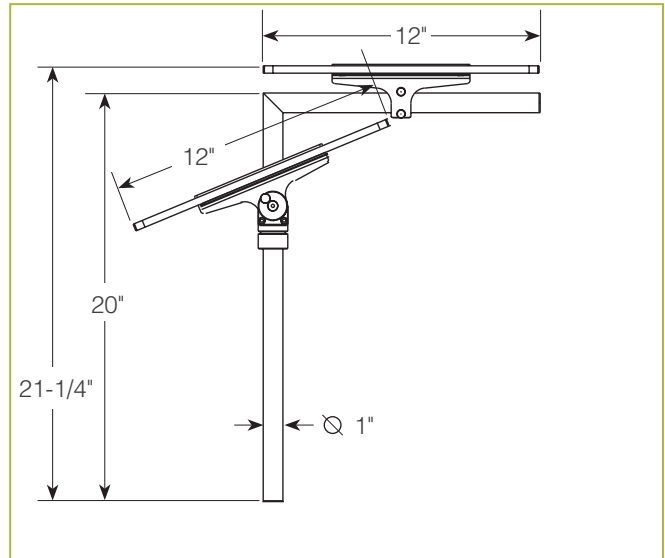
- |                                                                                              |
|----------------------------------------------------------------------------------------------|
| <input type="checkbox"/> DECO Above-Counter Flange                                           |
| <input type="checkbox"/> SSU3-H: Heavy-Duty Flange                                           |
| <input type="checkbox"/> SSU3-N: Narrow Flange                                               |
| <input type="checkbox"/> SSU5-H: Heavy-Duty Flange                                           |
| <input type="checkbox"/> SSU5-N: Narrow Flange                                               |
| <input type="checkbox"/> DECO Above-Counter Flange                                           |
| <input type="checkbox"/> MWU3: Narrow Flange                                                 |
| <input type="checkbox"/> MWU4: Compression Installation (not recommended for solid surfaces) |
| <input type="checkbox"/> MWU5: Heavy-Duty Flange                                             |

## DECO-950

Combo-Serve



Shown without end panels.



To meet NSF guidelines, end panels are included on all BSI quotations unless specifically excluded. (See End Panel Page for More Details.)

\* Approval Drawings Required

## GENERAL INFORMATION

**Project Name:** \_\_\_\_\_  
**Item:** \_\_\_\_\_  
**Quantity:** \_\_\_\_\_  
**Model:** DECO-965 \_\_\_\_\_  
**Length:** \_\_\_\_\_

## STANDARD NSF LISTED FINISH OPTIONS

- |                                             |                                                |
|---------------------------------------------|------------------------------------------------|
| <input type="checkbox"/> Stainless Steel #4 | <input type="checkbox"/> Chrome                |
| <input type="checkbox"/> Gloss Black        | <input type="checkbox"/> Wrinkle Black         |
| <input type="checkbox"/> Smoked Copper      | <input type="checkbox"/> Polished Brass Finish |
| <input type="checkbox"/> Other _____        |                                                |

## GLASS THICKNESS

- |                                                                                                      |
|------------------------------------------------------------------------------------------------------|
| <input type="checkbox"/> 1/4" Tempered Glass (not for shelves)<br>Centerline Max 54"                 |
| <input type="checkbox"/> 3/8" Tempered Glass (for shelf or span more than 54")<br>Centerline Max 66" |
| <input type="checkbox"/> 1/2" Tempered Glass (for shelf or span more than 66")<br>Centerline Max 72" |

## GLASS CORNERS

- |                                                      |                                         |
|------------------------------------------------------|-----------------------------------------|
| <input type="checkbox"/> 1" Radius Corner (standard) | <input type="checkbox"/> Square Corners |
|------------------------------------------------------|-----------------------------------------|

## INSTALLATION OPTIONS

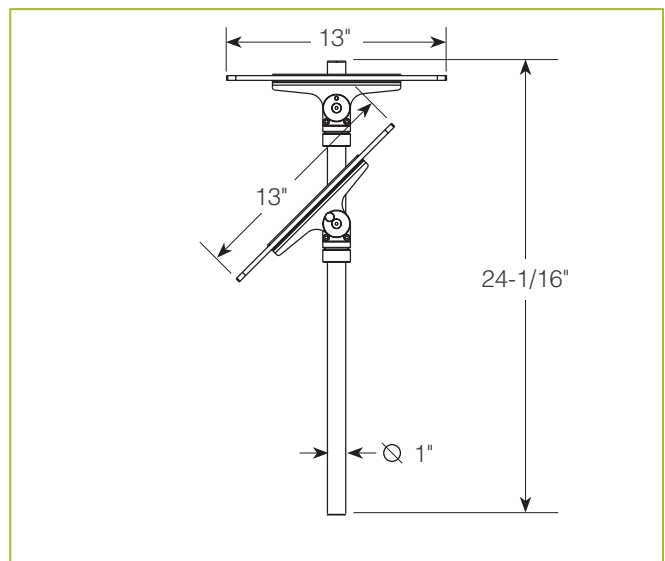
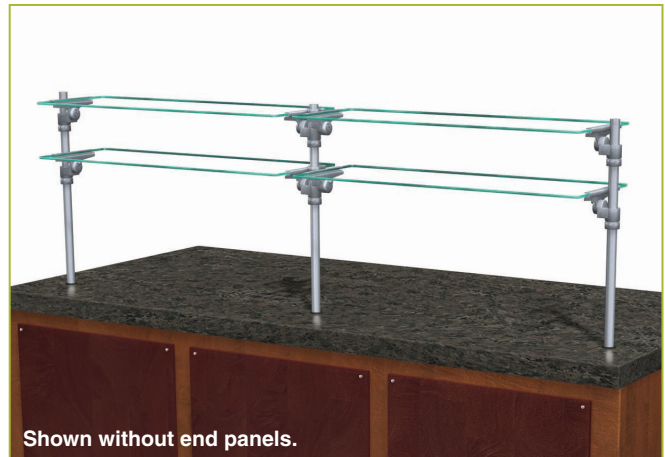
**Above-Counter:** Stainless Steel Counter  
**Under-Counter:** Stainless Steel Counter  
 (Requires Under-Counter Reinforcement & Access)

**Above-Counter:** Millwork Counter  
**Under-Counter:** Millwork Counter

**See Installation Page for More Details.**

## DECO-965

*Self-Serve w/Top Shelf or Two-Tier Display Shelf*



To meet NSF guidelines, end panels are included on all BSI quotations unless specifically excluded. (See End Panel Page for More Details.)

- |                                                                                              |
|----------------------------------------------------------------------------------------------|
| <input type="checkbox"/> DECO Above-Counter Flange                                           |
| <input type="checkbox"/> SSU3-H: Heavy-Duty Flange                                           |
| <input type="checkbox"/> SSU3-N: Narrow Flange                                               |
| <input type="checkbox"/> SSU5-H: Heavy-Duty Flange                                           |
| <input type="checkbox"/> SSU5-N: Narrow Flange                                               |
| <input type="checkbox"/> DECO Above-Counter Flange                                           |
| <input type="checkbox"/> MWU3: Narrow Flange                                                 |
| <input type="checkbox"/> MWU4: Compression Installation (not recommended for solid surfaces) |
| <input type="checkbox"/> MWU5: Heavy-Duty Flange                                             |

## \* Approval Drawings Required



## GENERAL INFORMATION

Project Name: \_\_\_\_\_  
 Item: \_\_\_\_\_  
 Quantity: \_\_\_\_\_  
 Model: \_\_\_\_\_ DECO-970  
 Length: \_\_\_\_\_

## STANDARD NSF LISTED FINISH OPTIONS

- |                                             |                                                |
|---------------------------------------------|------------------------------------------------|
| <input type="checkbox"/> Stainless Steel #4 | <input type="checkbox"/> Chrome                |
| <input type="checkbox"/> Gloss Black        | <input type="checkbox"/> Wrinkle Black         |
| <input type="checkbox"/> Smoked Copper      | <input type="checkbox"/> Polished Brass Finish |
| <input type="checkbox"/> Other _____        |                                                |

## LIGHT AND WARMER OPTIONS

- LED Light Unit
- Linear T-5 Fluorescent Unit
- BSI Stealth™ Linear Heat Only Unit
- BSI Stealth™ Linear Heat and Light Combo Unit (Fluorescent)
- BSI Stealth™ Linear Heat and Light Combo Unit (LED)
- BSI Stealth™ Linear Double Heat and Light Combo Unit (Fluorescent)
- BSI Stealth™ Linear Double Heat and Light Combo Unit (LED)
- Hatco® Brand Heat Only Unit
- Hatco® Brand Heat and Light Combo Unit

## GLASS THICKNESS

- 1/4" Tempered Glass (not for shelves)  
Centerline Max 54"
- 3/8" Tempered Glass (for shelf or span more than 54")  
Centerline Max 66"
- 1/2" Tempered Glass (for shelf or span more than 66")  
Centerline Max 72"

## GLASS CORNERS

- 1" Radius Corner (standard)
- Square Corners

## INSTALLATION OPTIONS

**Above-Counter:** Stainless Steel Counter  
**Under-Counter:** Stainless Steel Counter  
 (Requires Under-Counter Reinforcement & Access)

**Above-Counter:** Millwork Counter  
**Under-Counter:** Millwork Counter

- DECO Above-Counter Flange
- SSU3-H: Heavy-Duty Flange
- SSU3-N: Narrow Flange
- SSU5-H: Heavy-Duty Flange
- SSU5-N: Narrow Flange
- DECO Above-Counter Flange
- MWU3: Narrow Flange
- MWU4: Compression Installation (not recommended for solid surfaces)
- MWU5: Heavy-Duty Flange

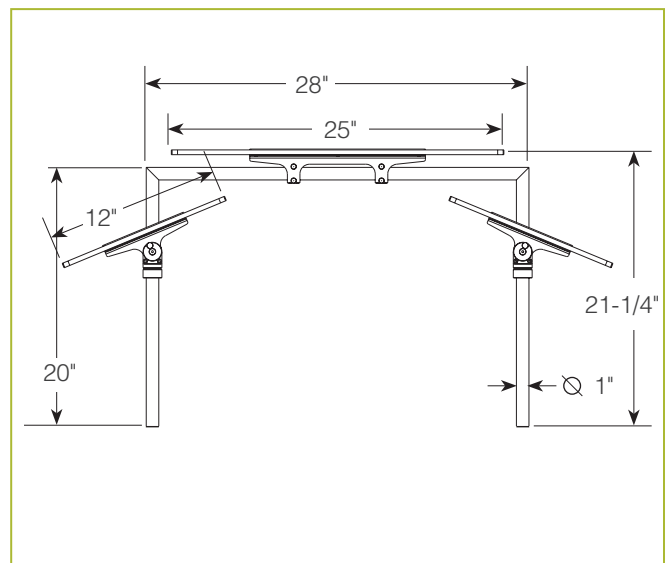
See Installation Page for More Details.

## DECO-970

Double-Sided w/Top Shelf



Shown without end panels.



To meet NSF guidelines, end panels are included on all BSI quotations unless specifically excluded. (See End Panel Page for More Details.)

## \* Approval Drawings Required

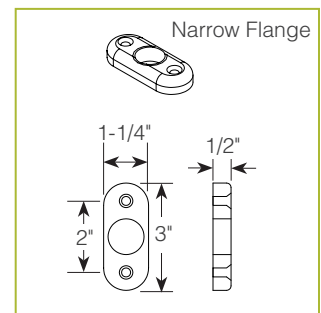
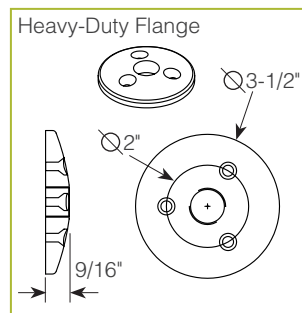
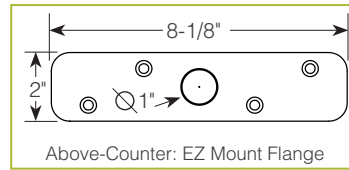
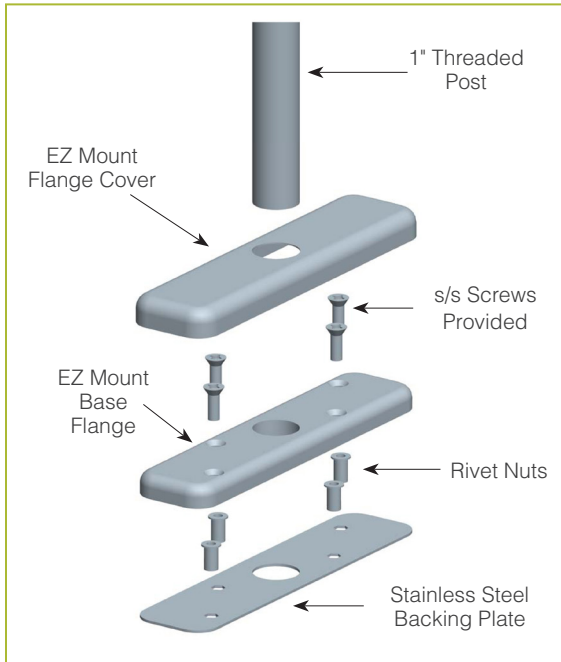
Specifications subject to change without notice.

5.21

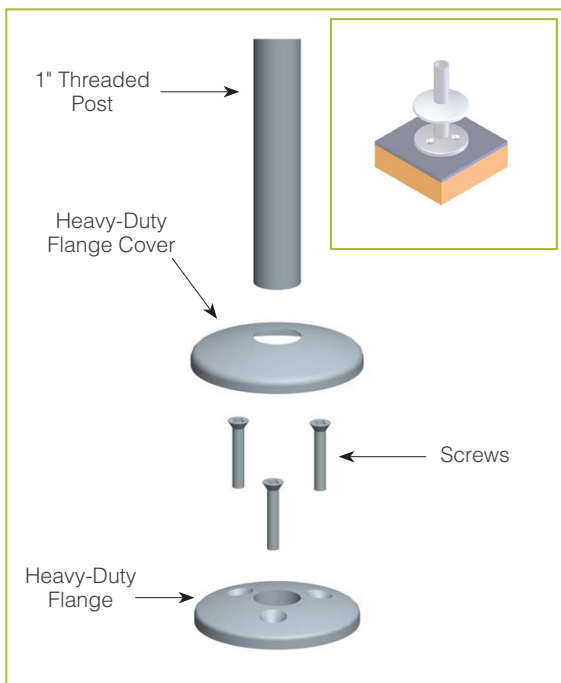


## ABOVE-COUNTER INSTALLATION FOR 1" DECO POSTS

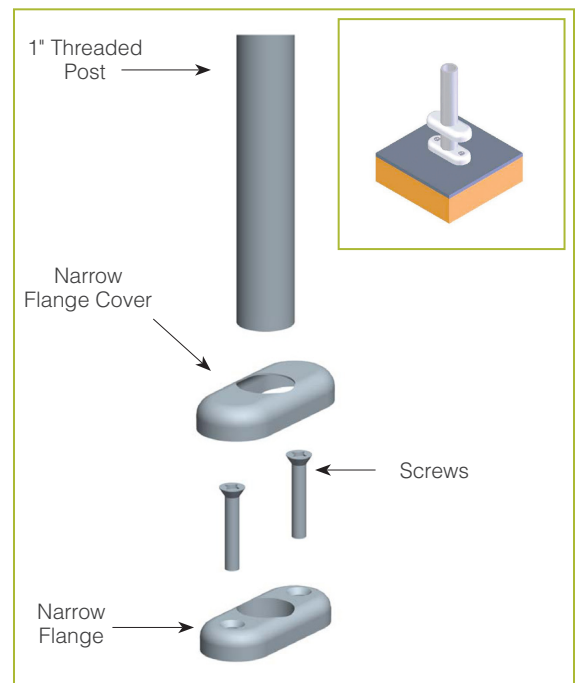
**For Stainless Steel Counter**  
**SS1: EZ Mount 2" x 8" Flange**



**For Millwork Counter**  
**MW1: Heavy-Duty Flange**

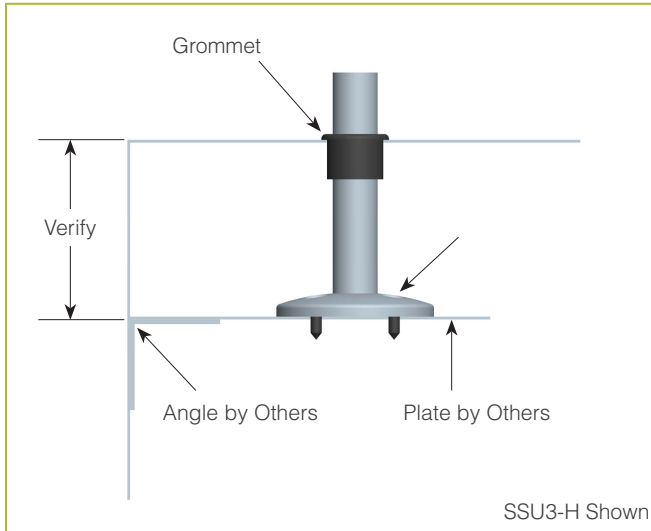


**For Millwork Counter**  
**MW2: Narrow Flange**

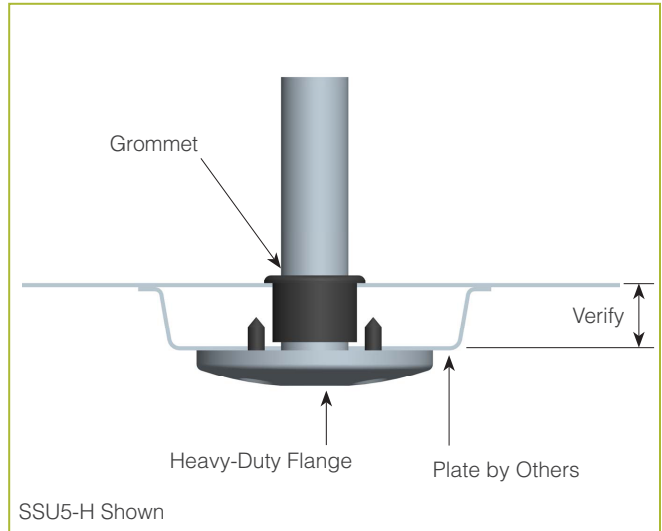


## UNDER-COUNTER INSTALLATION FOR 1" DECO POSTS

**For Stainless Steel Counter**  
 (requires under-counter reinforcement and access)  
**SSU3: Heavy-Duty Flange (-H) or Narrow Flange (-N)**

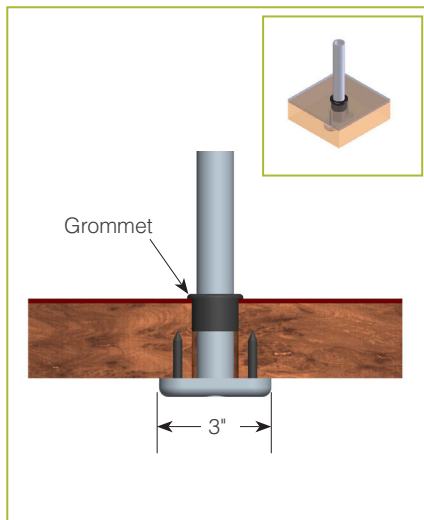


**For Stainless Steel Counter**  
 (requires under-counter reinforcement and access)  
**SSU5: Heavy-Duty Flange (-H) or Narrow Flange (-N)**

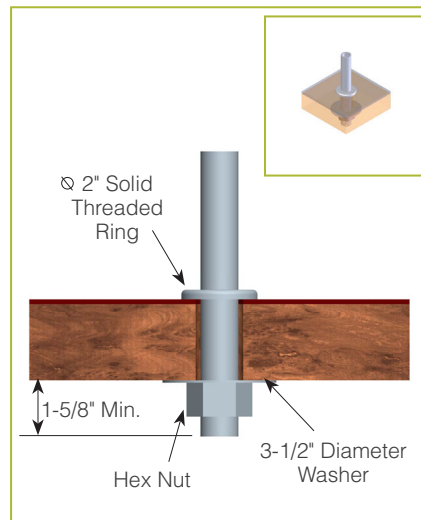


**Verify Counter Thickness or Under-Counter Installation Depth in Inches**

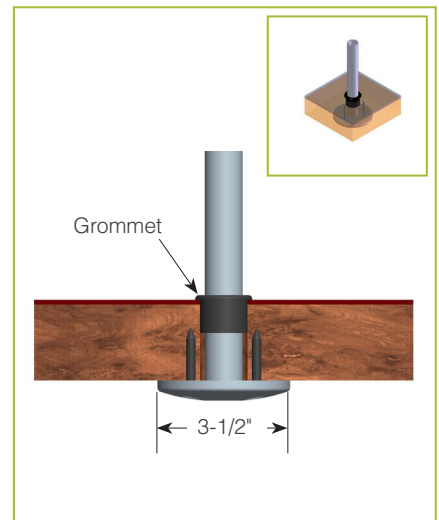
**For Millwork Counter**  
**MWU3: Narrow Flange**



**For Millwork Counter**  
**MWU4: Compression Installation**  
 (not recommended for solid surfaces)



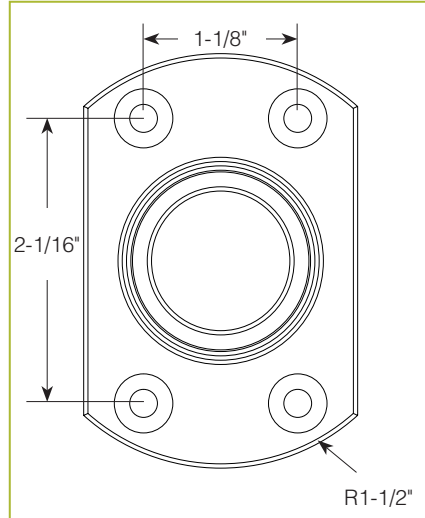
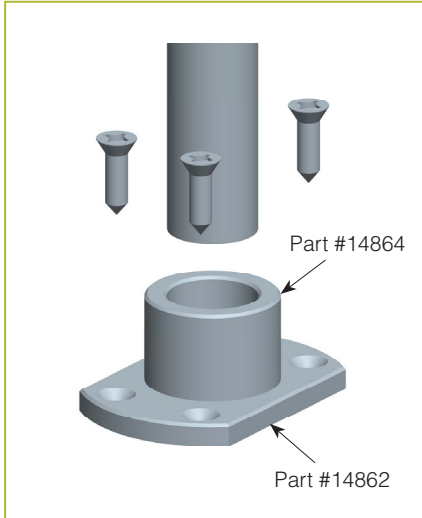
**For Millwork Counter**  
**MWU5: Heavy-Duty Flange**



**Verify Counter Thickness or Under-Counter Installation Depth in Inches**

## ➤ ABOVE-COUNTER INSTALLATION FOR 1" DECO POSTS

For Millwork or Stainless Steel Counter  
Surface Installation 14864 & 14862:



## END PANELS

To meet NSF guidelines, end panels are included on all BSI quotations unless specifically excluded. The following section shows size and location of glass end panels for select DECO models. For end panel information relating to additional models please contact the BSI factory at 1.800.622.9595.

