

## GENERAL INFORMATION

**Project Name:** \_\_\_\_\_  
**Item:** \_\_\_\_\_  
**Quantity:** \_\_\_\_\_  
**Model:** DECO-104-N  
**Length:** \_\_\_\_\_

## STANDARD NSF LISTED FINISH OPTIONS

- |   |  |
|---|--|
| <input type="checkbox"/> Stainless Steel #4 | <input type="checkbox"/> Chrome                |
| <input type="checkbox"/> Gloss Black        | <input type="checkbox"/> Wrinkle Black         |
| <input type="checkbox"/> Smoked Copper      | <input type="checkbox"/> Polished Brass Finish |
| <input type="checkbox"/> Other _____        |  |

## TUBE OPTIONS

- |  |  |
|--|--|
| <input type="checkbox"/> 1-1/2" Round (standard) | <input type="checkbox"/> 1" Round Diameter |
| <input type="checkbox"/> 1" Square               | <input type="checkbox"/> 1-1/2" Square     |

## GLASS THICKNESS

- 1/4" Tempered Glass (not for shelves)  
Centerline Max 54"
- 3/8" Tempered Glass (standard) (for shelf or span more than 54")  
Centerline Max 66"
- 1/2" Tempered Glass (for shelf or span more than 66")  
Centerline Max 72"

## GLASS PANEL OPTIONS

- Full Perimeter Channel

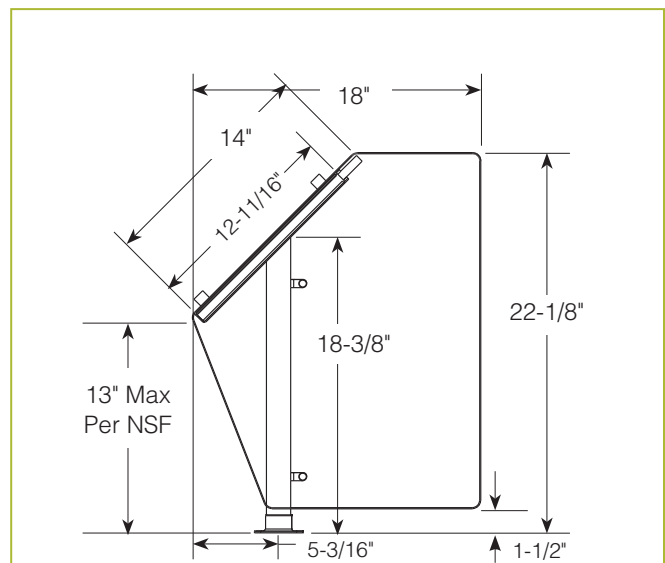
## INSTALLATION OPTIONS

- Above-Counter:** Round Tube
  - Narrow Flange
  - Round Flange
- Above-Counter:** Square Tube
- Under-Counter:** Round Tube
- Under-Counter:** Square Tube

See Installation Page for More Information.

## DECO-104-N

Self-Serve Food Shield



To meet NSF guidelines, end panels are included on all BSI quotations unless specifically excluded.

**Glass Shipped Separately from Posts**

**\* Approval Drawings Required**