

## GENERAL INFORMATION

**Project Name:** \_\_\_\_\_  
**Item:** \_\_\_\_\_  
**Quantity:** \_\_\_\_\_  
**Model:** BSI-SDP-D-24  
**Length:** \_\_\_\_\_

## GENERAL SPECIFICATION

### Materials

- 1/4" Plexiglass

### Construction

- Interlocking Plexiglass Divider
- Standard partition height is 23-1/2"
- Standard size fits 24"x24" table surface area
- Optional napkin/condiment pass through
- PWPT includes pass through
- Pass through height is 8"

### Shipping

- Two (2) week lead time
- Shipped Flat
- FOB Denver, Shipped by Others
- Bulk orders will be discounted for orders over 100 units
- All bulk units to be shipped to one location for full discount

## MODELS

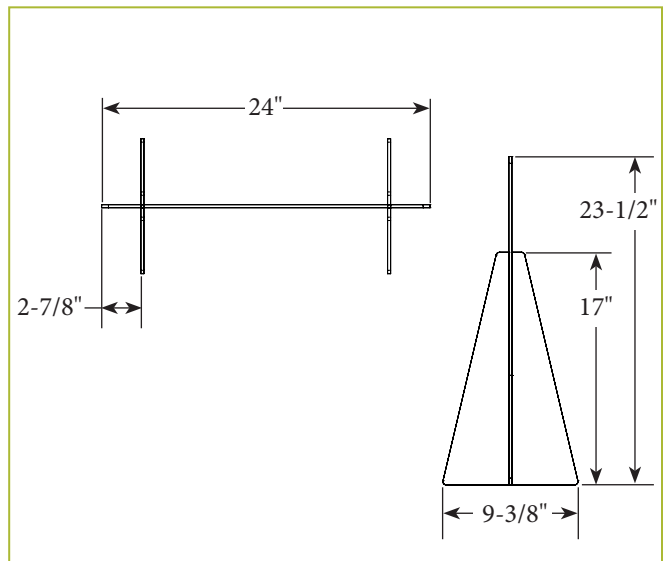
- BSI-SDP-D-24
- BSI-SDP-D-PT-24

## BSI-SDP-D-24

Portable Plexiglass Table Partition



SDP-D-24



SDP-D-PT-24

**\* Approval Drawings Required**