

GENERAL INFORMATION

Project Name: _____
Item: _____
Quantity: _____
Model: FTAS
Length: _____

GENERAL SPECIFICATION

Materials

- 14-Gauge Brushed Finish Type 304 Stainless
- 6" Diameter Box Pattern Stainless Drain
- Removable Perforated Stainless Basket
- 1/8" x 1" Type 304 Stainless Subway Grate with 3/8" Stainless Reinforcement Rods (minimum of 2)

Construction

- NSF Standard 2 Construction
- Coved Corner Pan
- True Positive Pitch Toward Drain
- 3-15/16" I.D. 6" Long Stainless Tailpiece
- Maximum Gap Between Grate Bars of 13/16"
- Maximum Space Between Reinforcement Rods of 6"

TROUGH MATERIAL OPTIONS

- 12-Gauge Brushed Finish Stainless
- Type 316 Stainless

TROUGH FINISH OPTIONS

- Sand Blast
- Mirror Polished

GRATE TYPE OPTIONS

- 3/16" x 1" Stainless Subway Grate
- 1/4" x 1" Stainless Subway Grate
- Anti-Slip Fiberglass Grating
- Custom Bar Centerlines: Dimensions _____
- Type 316 Stainless

MODELS AND DIMENSIONS

Sizes WxL	24"	36"	48"	60"	72"	84"	96"	108"	120"
12"	FTAS-1224	FTAS-1236	FTAS-1248	FTAS-1260	FTAS-1270	FTAS-1284	FTAS-1296	FTAS-12108	FTAS-12120
18"	FTAS-1824	FTAS-1836	FTAS-1848	FTAS-1860	FTAS-1872	FTAS-1884	FTAS-1884	FTAS-18108	FTAS-18120
24"	FTAS-2424	FTAS-2436	FTAS-2448	FTAS-2460	FTAS-2472	FTAS-2484	FTAS-2484	FTAS-24108	FTAS-24120
30"	FTAS-3024	FTAS-3036	FTAS-3048	FTAS-3060	FTAS-3072	FTAS-3084	FTAS-3084	FTAS-30108	FTAS-30120

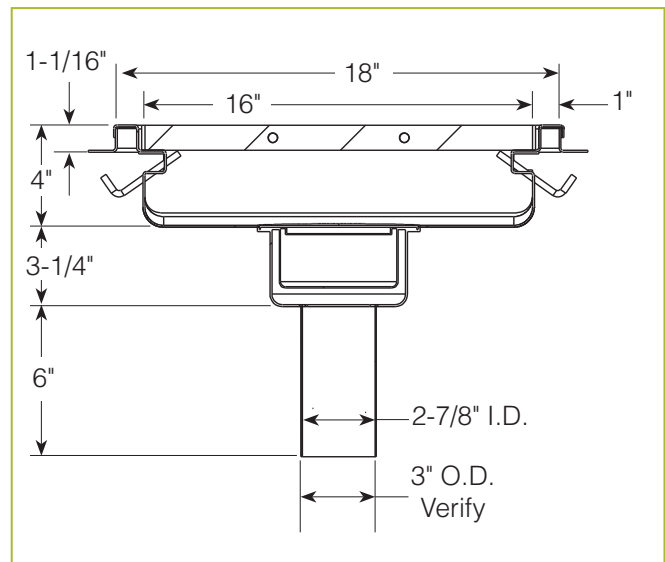
* Approval Drawings Required

Printed in the U.S.A. (April 2017) BSI, LLC
 Specifications subject to change without notice.

Rv. 7



FTAS Anti-Splash Floor Trough



OTHER OPTIONS

- Off-Center Drain
- Extended Drain Pan Without Grate (see model FTDP)
- 1/4" Stainless Rod J-Anchors Around Trough Exterior