

GENERAL INFORMATION

Project Name: _____
Item: _____
Quantity: _____
Model: _____ FTD
Length: _____

GENERAL SPECIFICATION

Materials

- 14-Gauge Brushed Finish Type 304 Stainless
- 6" Diameter Box Pattern Stainless Drain
- Removable Perforated Stainless Basket
- 12 Gauge Brushed Finish Perforated Cover with Two 1/2" Center Drain Hole

Construction

- NSF Standard 2 Construction
- Covered Corner Pan
- 3-15/16" I.D. 6" Long Stainless Tailpiece

TROUGH MATERIAL OPTIONS

- 12-Gauge Brushed Finish Stainless
- Type 316 Stainless

TROUGH FINISH OPTIONS

- Sand Blast
- Mirror Polished

GRATE TYPE OPTIONS

- 1/8" x 1" Stainless Subway Grate
- 3/16" x 1" Stainless Subway Grate
- 1/4" x 1" Stainless Subway Grate
- Anti-Slip Fiberglass Grating
- Custom Bar Centerlines: Dimensions _____
- Type 316 Stainless

MODELS AND DIMENSIONS

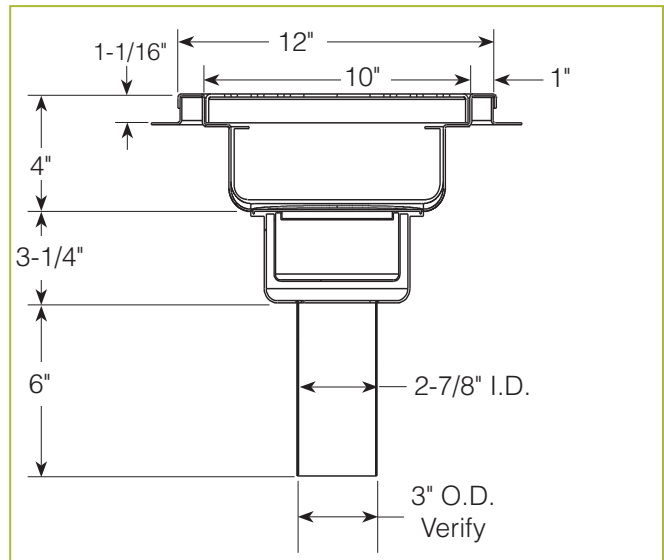
Sizes WxL	12"
12"	FTD-1212

* Approval Drawings Required

Printed in the U.S.A. (April 2017) BSI, LLC
 Specifications subject to change without notice.

FTD

Floor Trough Drain



OTHER OPTIONS

- 1/4" Stainless Rod J-Anchors Around Trough Exterior