

GENERAL INFORMATION

Project Name: _____
 Item: _____
 Quantity: _____
 Model: FTDP
 Length: _____

GENERAL SPECIFICATION

Materials

- 14-Gauge Brushed Finish Type 304 Stainless
- 6" Diameter Box Pattern Stainless Drain
- Removable Perforated Stainless Basket
- 1/8" x 1" Type 304 Stainless Subway Grate with 3/8" Stainless Reinforcement Rods (minimum of 2)

Construction

- NSF Standard 2 Construction
- Coved Corner Pan
- True Positive Pitch Toward Drain
- 3-15/16" I.D. 6" Long Stainless Tailpiece
- Maximum Gap Between Grate Bars of 13/16"
- Maximum Space Between Reinforcement Rods of 6"

TROUGH MATERIAL OPTIONS

- 12-Gauge Brushed Finish Stainless
- Type 316 Stainless

TROUGH FINISH OPTIONS

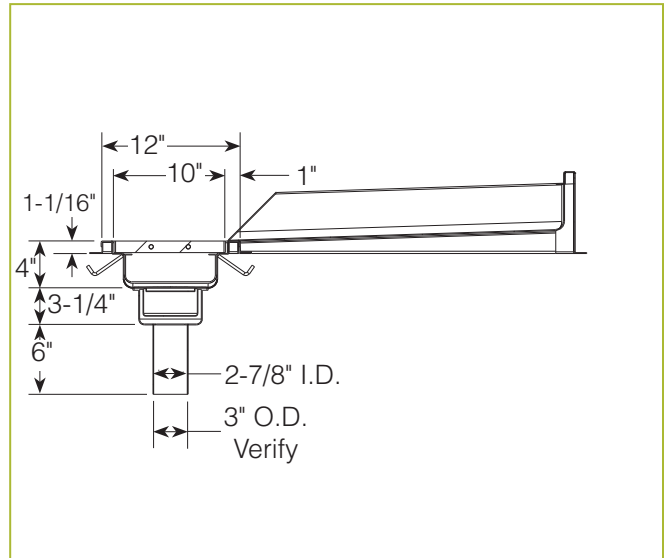
- Sand Blast
- Mirror Polished

GRATE TYPE OPTIONS

- 3/16" x 1" Stainless Subway Grate
- 1/4" x 1" Stainless Subway Grate
- Anti-Slip Fiberglass Grating
- Custom Bar Centerlines: Dimensions _____
- Type 316 Stainless

FTDP

Floor Trough with Integral Drain Pan



OTHER OPTIONS

- Off-Center Drain
- Extended Drain Pan Without Grate (see model FTDP)
- 1/4" Stainless Rod J-Anchors Around Trough Exterior

* Approval Drawings Required

Printed in the U.S.A. (April 2017) BSI, LLC
 Specifications subject to change without notice.

Rv. 7

