

GENERAL INFORMATION

Project Name: _____
Item: _____
Quantity: _____
Model: FTSEC _____
Length: _____

GENERAL SPECIFICATION

Materials

- 14-Gauge Brushed Finish Type 304 Stainless
- 6" Diameter Box Pattern Stainless Drain
- Removable Perforated Stainless Basket
- 1/8" x 1" Type 304 Stainless Subway Grate with 3/8" Stainless Reinforcement Rods (minimum of 2)

Construction

- NSF Standard 2 Construction
- Coved Corner Pan
- True Positive Pitch Toward Drain
- 3-15/16" I.D. 6" Long Stainless Tailpiece
- Maximum Gap Between Grate Bars of 13/16"
- Maximum Space Between Reinforcement Rods of 6"

TROUGH MATERIAL OPTIONS

- 12-Gauge Brushed Finish Stainless
- Type 316 Stainless

TROUGH FINISH OPTIONS

- Sand Blast
- Mirror Polished

GRATE TYPE OPTIONS

- 3/16" x 1" Stainless Subway Grate
- 1/4" x 1" Stainless Subway Grate
- Anti-Slip Fiberglass Grating
- Custom Bar Centerlines: Dimensions _____
- Type 316 Stainless

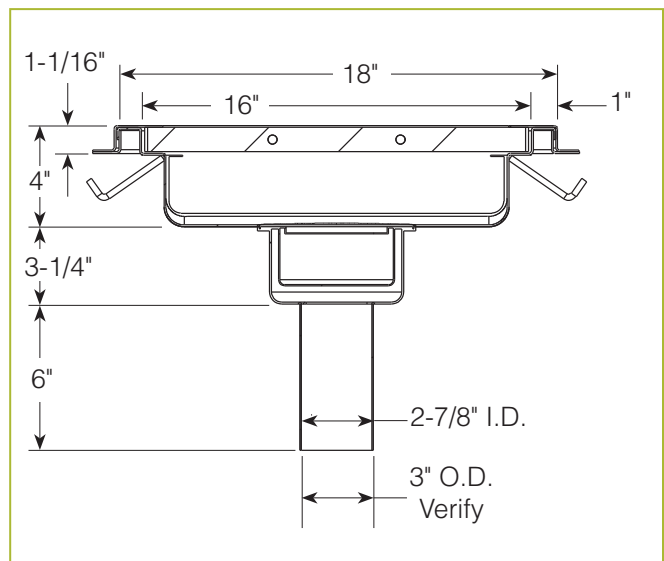
MODELS AND DIMENSIONS

Sizes WxL	24"	36"	48"	60"	72"	84"	96"	108"	120"
12"	FTSEC-1224	FTSEC-1236	FTSEC-1248	FTSEC-1260	FTSEC-1270	FTSEC-1284	FTSEC-1296	FTSEC-12108	FTSEC-12120
18"	FTSEC-1824	FTSEC-1836	FTSEC-1848	FTSEC-1860	FTSEC-1872	FTSEC-1884	FTSEC-1884	FTSEC-18108	FTSEC-18120
24"	FTSEC-2424	FTSEC-2436	FTSEC-2448	FTSEC-2460	FTSEC-2472	FTSEC-2484	FTSEC-2484	FTSEC-24108	FTSEC-24120
30"	FT-SEC3024	FTSEC-3036	FTSEC-3048	FTSEC-3060	FTSEC-3072	FTSEC-3084	FTSEC-3084	FTSEC-30108	FTSEC-30120

* Approval Drawings Required

Printed in the U.S.A. (April 2017) BSI, LLC
 Specifications subject to change without notice.

FTSEC Security Floor Trough with Locking Grate



OTHER OPTIONS

- Off-Center Drain
- Extended Drain Pan Without Grate (see model FTDP)
- 1/4" Stainless Rod J-Anchors Around Trough Exterior